

BX40A Box 40

Countertop basin 40 cm

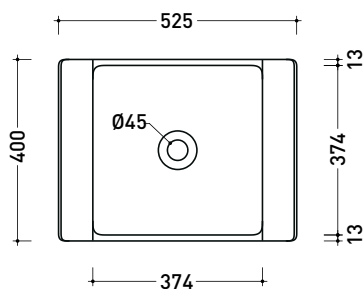
• without overflow • without tap ledge

Complements: **FILO 60 / 75 metal structure** (FI60SV - FI75SC - DI75SC)
CUBIKA wall hung vanity units depth 50 cm
DENVER furniture (DV103M)
Line taps basin: ONE - NOKÉ - SI - FOLD - X1 - STIL
Line accessories: TWO - HOOP - FOLD

Technical accessories: **Chrome siphon (SIFL/CR) - Telescopic chrome siphon (SIFL066)**
Stop & Go drain (PLSG)
CERAMIC Stop & Go drain (PLCE)
Chrome waste with automatic integrated overflow (PLTPCR)
Waste with automatic integrated overflow and ceramic cover (PLTPCE)

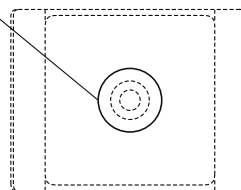
Package dim. - cm | Weight 10,8 kg | Pz. Pallet n° 12

CE UNI EN 14688 - CL00 Dop-No14688

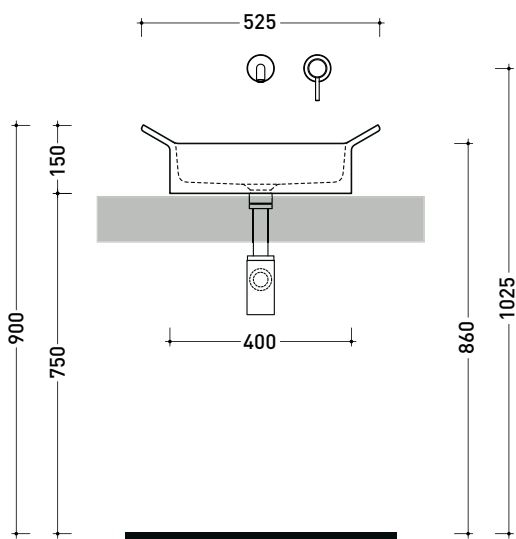


vista zenitale / zenital view

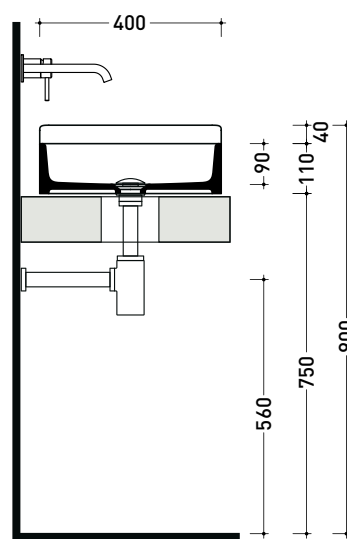
foro consigliato
sul piano Ø140
suggested hole
on the top Ø140



vista zenitale / zenital view



vista frontale / frontal view



sezione longitudinale / section

BX60A Box 60

Countertop basin 60 cm

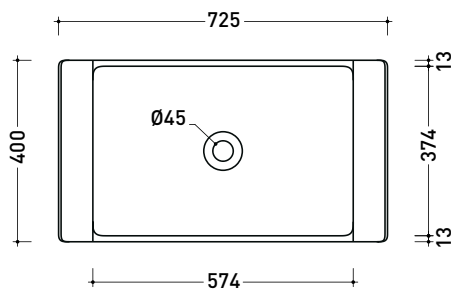
• without overflow • without tap ledge

Complements: **FILO 60 / 75 metal structure** (FI75SC - DI75SC)
CUBIKA wall hung vanity units depth 50 cm
DENVER furniture (DV103M)
Line taps basin: ONE - NOKÉ - SI - FOLD - X1 - STIL
Line accessories: TWO - HOOP - FOLD

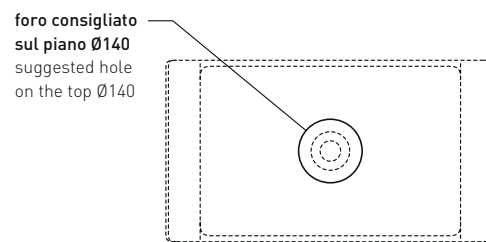
Technical accessories: **Chrome siphon (SIFL/CR) - Telescopic chrome siphon (SIFL066)**
Stop & Go drain (PLSG)
CERAMIC Stop & Go drain (PLCE)
Chrome waste with automatic integrated overflow (PLTPCR)
Waste with automatic integrated overflow and ceramic cover (PLTPCE)

Package dim. - cm | Weight 13.5 kg | Pz. Pallet n° 9

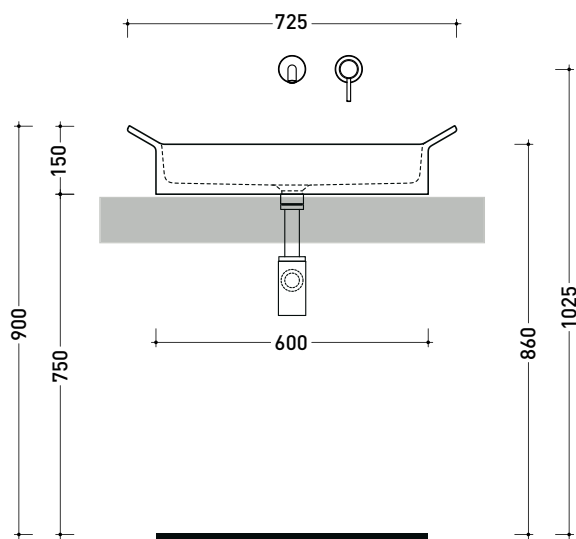
CE UNI EN 14688 - CL00 Dop-No14688



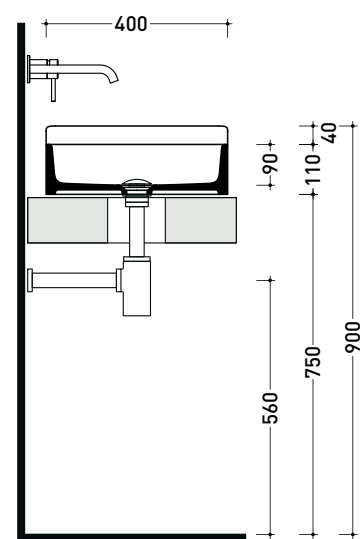
vista zenitale / zenital view



vista zenitale / zenital view



vista frontale / frontal view



sezione longitudinale / section

sizes in mm

Please consider a 2% tolerance on indicated measurements