

MEDAMEDA

ZMM679

Miscelatore monocomando lavabo incasso. / Built-in single lever basin mixer.



Miscelatore monocomando lavabo incasso con aeratore. Lunghezza bocca 175 mm.
Water Saving - portata d'acqua uguale o inferiore a 6 l/min.

Built-in single lever basin mixer with aerator. Spout projecton L 175 mm.
Water Saving - water flow rate of 6 l/min or less.

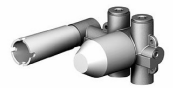
R99499

Parte incasso. / Built-in part.



R99815

Parte incasso. / Built-in part.



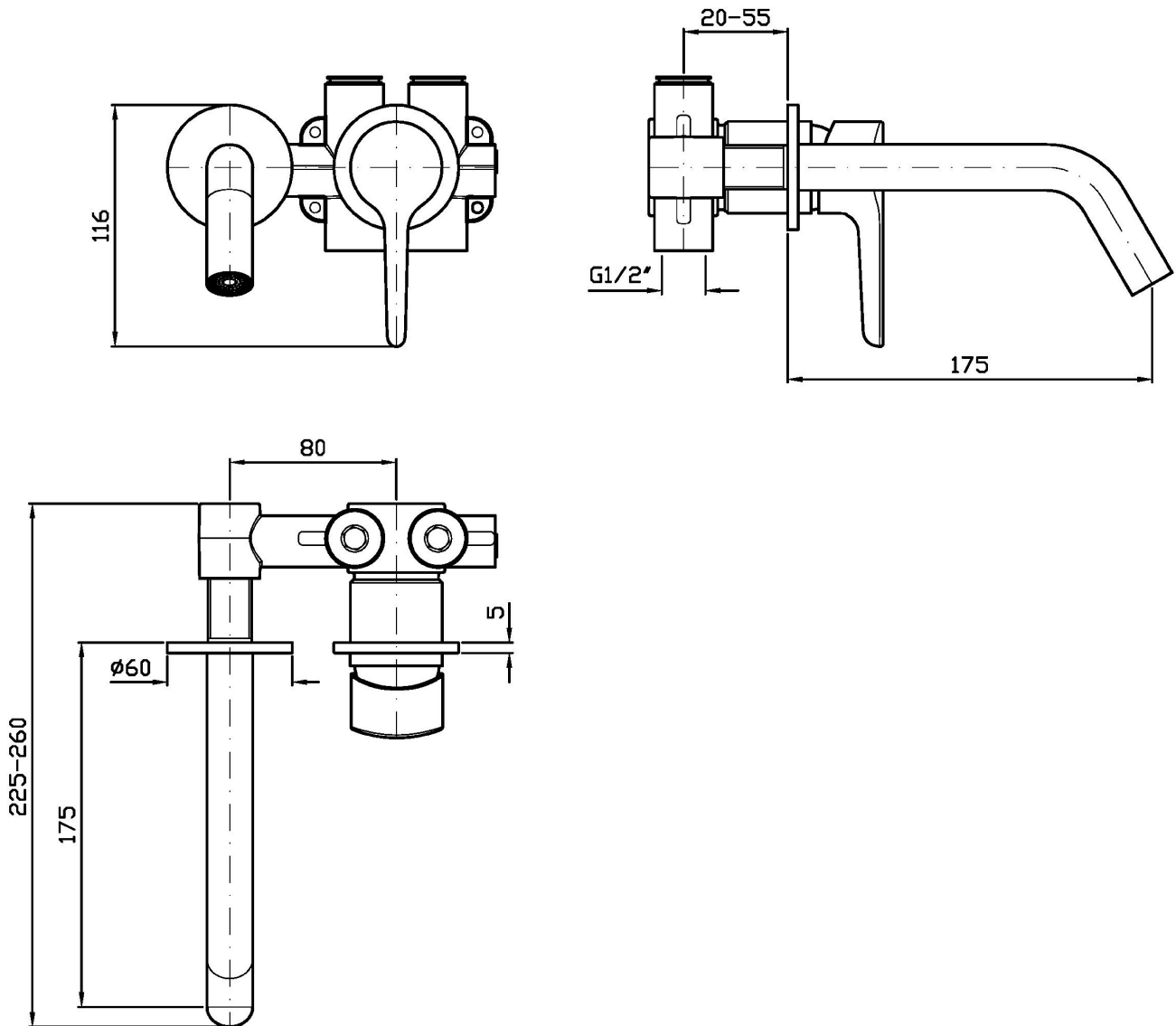
Finiture / Finishes

	C3	C8	C40	C41	C50	C51
Cromo / Chrome	Nickel Spazzolato / Brushed Nickel	Nickel Lucido / Polished Nickel	Oro / Gold	Oro spazzolato / Brushed Gold	Metal Black / Metal Black	Metal Black spazzolato / Brushed Metal Black
N1	P31	P81				
Nero Opaco Goffrato / Embossed Matt Black	Brushed PVD British gold / Brushed PVD British gold	Brushed total black PVD / Brushed total black PVD				

MEDAMEDA

ZMM679

Disegno Complessivo / Overall Drawing

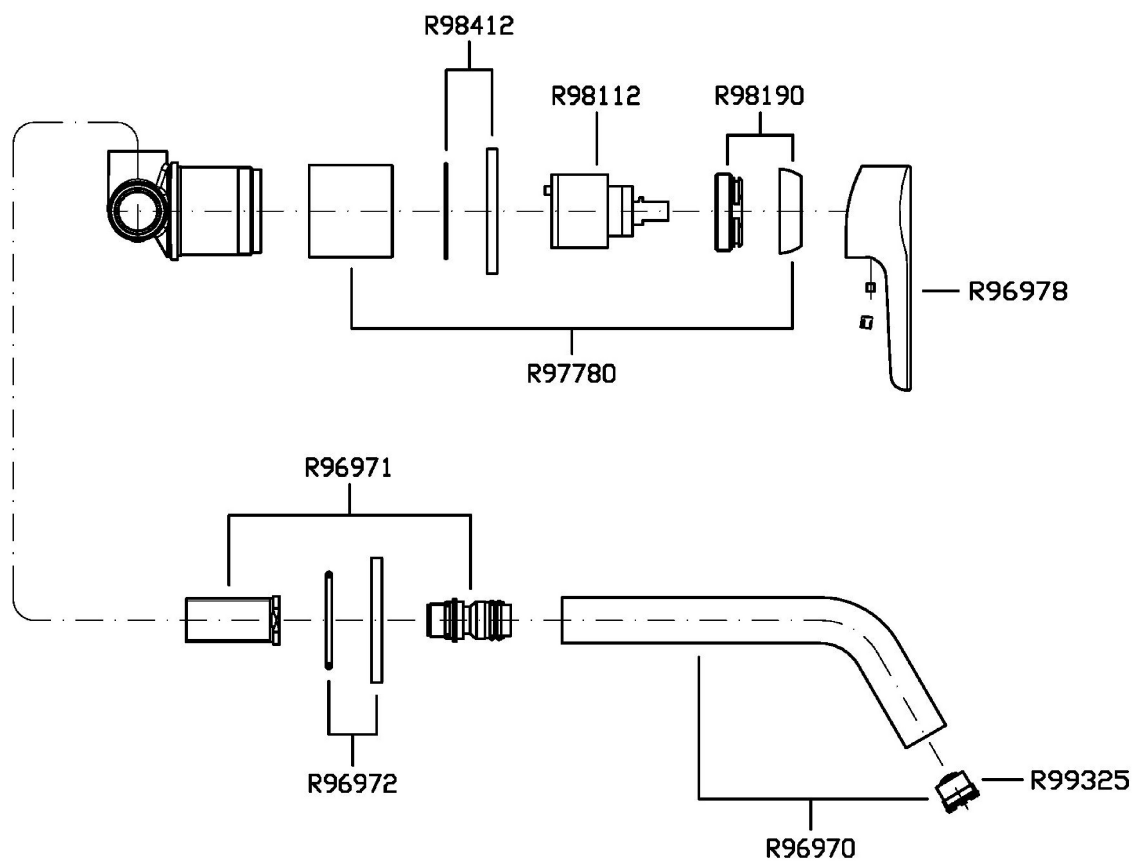


Note / Notes

MEDAMEDA

ZMM679

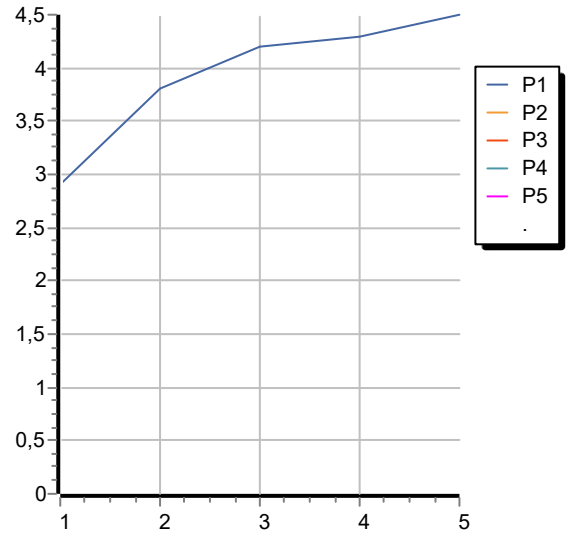
Esplosi / Exploded



MEDAMEDA

ZMM679 Portate / Flowrates (lt/min)

PRESSIONE PRESSURE	1 BAR	2 BAR	3 BAR	4 BAR	5 BAR
P1 LAVABO BASIN	2,9	3,8	4,2	4,3	4,5
P2					
P3					
P4					
P5					



MEDAMEDA

ZMM679 Pesì e Misure / Weights and Sizes

Peso (Kg) Weight (lb)	1,00 (Kg)	2,20 (lb)
Volume test (dc3) - (in3)	3,32 (dc3)	202,60 (in3)
h (mm) - (in)	93,00 (mm)	3,66 (in)
L1 (mm) - (in)	162,00 (mm)	6,38 (in)
L2 (mm) - (in)	220,00 (mm)	8,66 (in)

