

## ND60A Nudaslim 60

### Countertop basin 60 cm

• without overflow • without tap ledge

Complements: FORTY6 shelf (F6PS65)  
 CUBIKA wall hung vanity units depth 37 / 50 cm  
 DENVER furniture (DV103M)  
 Struttura Filo 75 (FI75SV - FI75SC)  
 Line taps basin: ONE - NOKÉ - FOLD - X1 - STIL  
 Line accessories: TWO - HOOP - FOLD

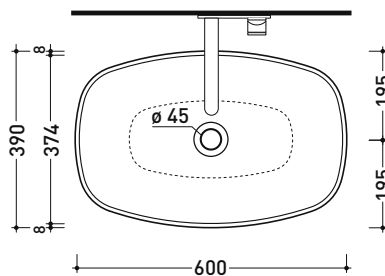
Technical accessories: Chrome siphon (SIFL/CR) - Telescopic chrome siphon (SIFL066)  
 Stop & Go drain (PLSG)  
 CERAMIC Stop & Go drain (PLCE)  
 Chrome waste with automatic integrated overflow (PLTPCR)  
 Waste with automatic integrated overflow and ceramic cover (PLTPCE)  
 Fixing kit for wall (9002)

Package dim.

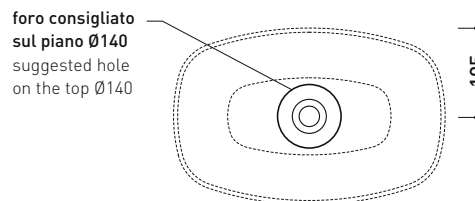
Weight 9,3 kg

Pz. Pallet n°

CE UNI EN 14688 - CL00 Dop-No14688

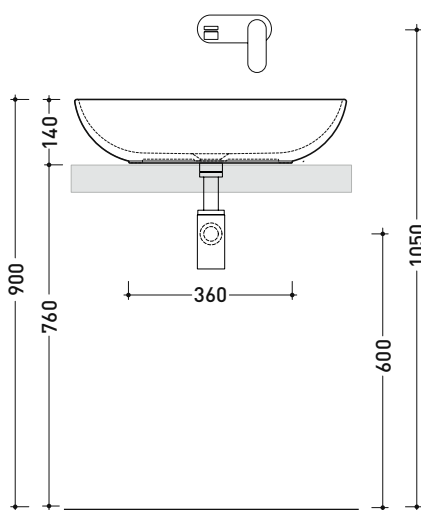


vista zenitale / zenital view

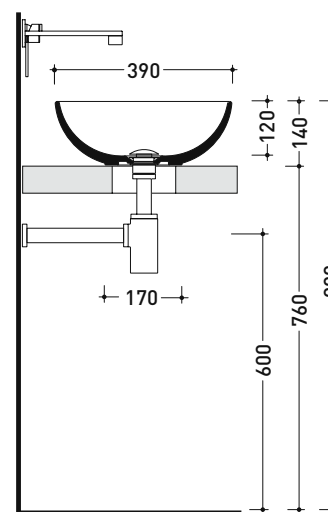


foro consigliato sul piano Ø140 suggested hole on the top Ø140

vista zenitale / zenital view



vista frontale / frontal view



sezione longitudinale / section

## ND75A Nudaslim 75

### Countertop basin 75 cm

• without overflow • without tap ledge

Complements: FORTY6 shelf (F6PS65)  
 CUBIKA wall hung vanity units depth 37 / 50 cm  
 DENVER furniture (DV103M)  
 Line taps basin: ONE - NOKÉ - FOLD - X1 - STIL  
 Line accessories: TWO - HOOP - FOLD

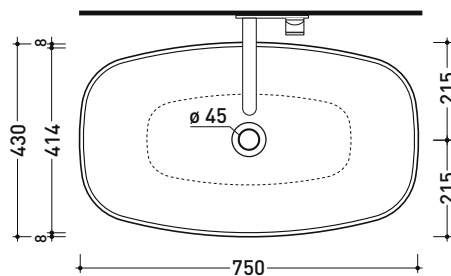
Technical accessories: Chrome siphon (SIFL/CR) - Telescopic chrome siphon (SIFL066)  
 Stop & Go drain (PLSG)  
 CERAMIC Stop & Go drain (PLCE)  
 Chrome waste with automatic integrated overflow (PLTPCR)  
 Waste with automatic integrated overflow and ceramic cover (PLTPCE)  
 Fixing kit for wall (9002)

Package dim.

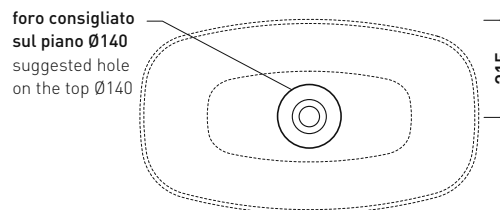
Weight 13,2 kg

Pz. Pallet n°

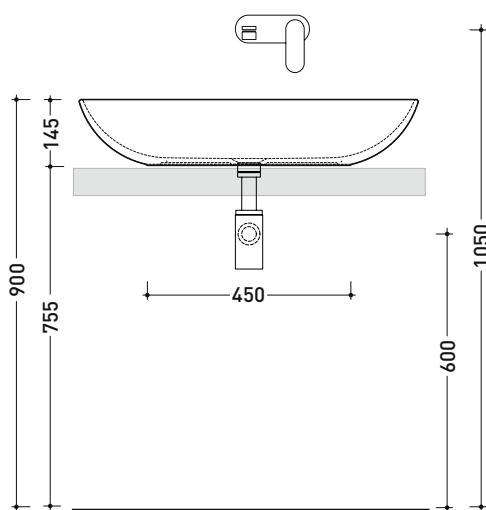
CE UNI EN 14688 - CL00 Dop-No14688



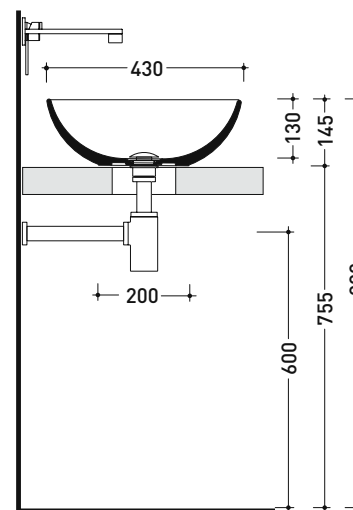
vista zenitale / zenital view



vista zenitale / zenital view



vista frontale / frontal view



sezione longitudinale / section

sizes in mm

Please consider a 2% tolerance on indicated measurements

## ND60L Nudaslim 60

### Countertop - wall hung basin 60 cm

• without overflow • without tap ledge

Complements: FORTY6 shelf (F6ND)  
 CUBIKA wall hung vanity units depth 37 cm  
 Struttura Filo 75 (FI75SV - FI75SC)  
 Line taps basin: ONE - NOKÉ - FOLD - X1 - STIL  
 Line accessories: TWO - HOOP - FOLD

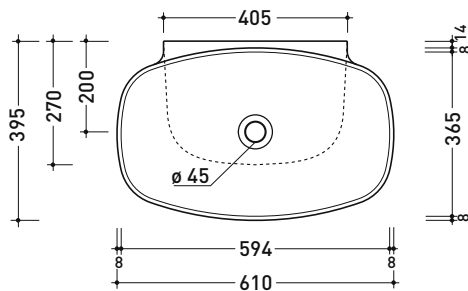
Technical accessories: Chrome siphon (SIFL/CR) - Telescopic chrome siphon (SIFL066)  
 Stop & Go drain (PLSG)  
 CERAMIC Stop & Go drain (PLCE)  
 Chrome waste with automatic integrated overflow (PLTPCR)  
 Waste with automatic integrated overflow and ceramic cover (PLTPCE)  
 Fixing kit for wall (9002)

Package dim.

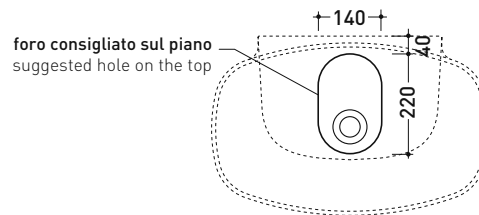
Weight 10 kg

Pz. Pallet n° 12

CE UNI EN 14688 - CL00 Dop-No14688

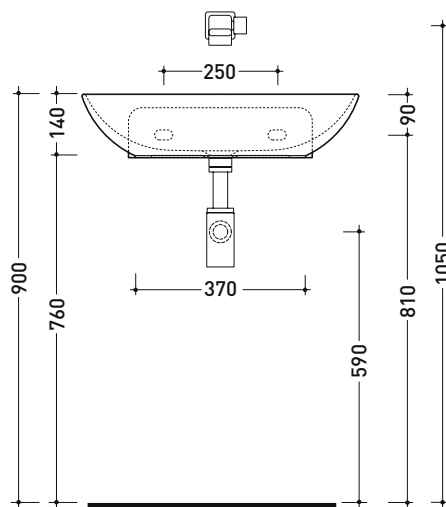


vista zenitale / zenital view

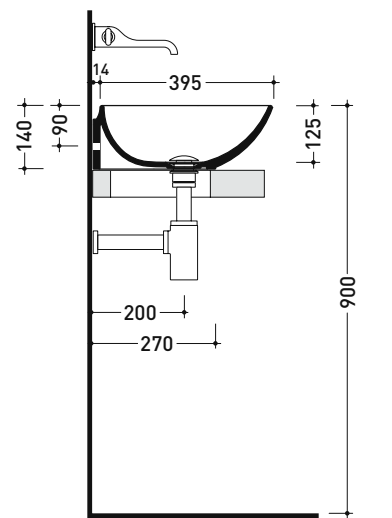


foro consigliato sul piano  
suggested hole on the top

vista zenitale / zenital view



vista frontale / frontal view



sezione longitudinale / section

sizes in mm

Please consider a 2% tolerance on indicated measurements

design LUDOVICA+ROBERTO PALOMBA

2017

## ND60PR Nudaslim 60

Countertop - wall hung basin 60 cm with tap ledge

• with overflow • arranged for three holes tap

Complements: FORTY6 shelf (F6ND)  
 CUBIKA wall hung vanity units depth 37 cm  
 Struttura Filo 75 (FI75SV - FI75SC)  
 Line taps basin: ONE - NOKÉ - FOLD - X1 - STIL  
 Line accessories: TWO - HOOP - FOLD

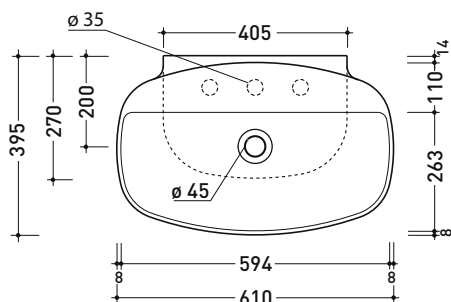
Technical accessories: Chrome siphon (SIFL/CR) - Telescopic chrome siphon (SIFL066)  
 Stop & Go drain (PLSG)  
 Two piece set chrome tap filters (RF026)  
 CERAMIC Stop & Go drain (PLCE)  
 Fixing kit for wall (9002)

Package dim.

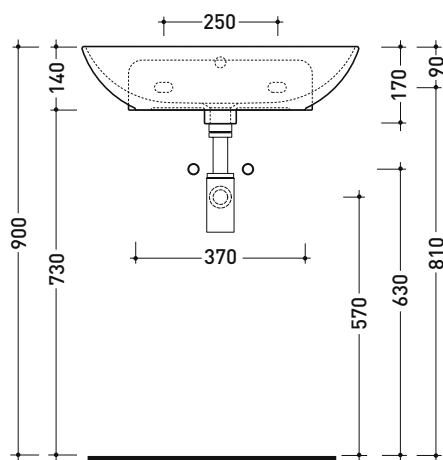
Weight 12,5 kg

Pz. Pallet n° 12

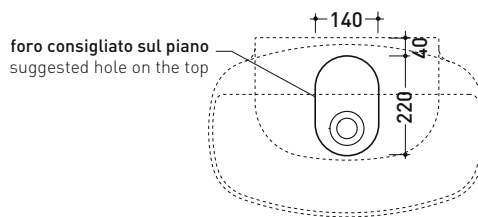
UNI EN 14688 - CL20 Dop-No14688



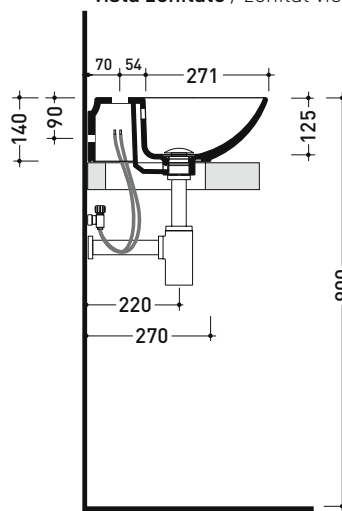
vista zenitale / zenital view



vista frontale / frontal view



vista zenitale / zenital view



sezione longitudinale / section

sizes in mm

Please consider a 2% tolerance on indicated measurements

## ND75L Nudaslim 75

### Countertop - wall hung basin 75 cm

• without overflow • without tap ledge

Complements: FORTY6 shelf (F6ND)  
 CUBIKA wall hung vanity units depth 37 cm  
 Line taps basin: ONE - NOKÉ - FOLD - X1  
 Line accessories: TWO - HOOP - NOKÉ - FOLD

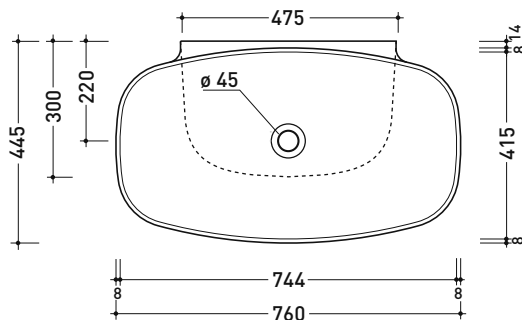
Technical accessories: Chrome siphon (SIFL/CR) - Telescopic chrome siphon (SIFL066)  
 Stop & Go drain (PLSG)  
 CERAMIC Stop & Go drain (PLCE)  
 Chrome waste with automatic integrated overflow (PLTPCR)  
 Waste with automatic integrated overflow and ceramic cover (PLTPCE)  
 Fixing kit for wall (9002)

Package dim.

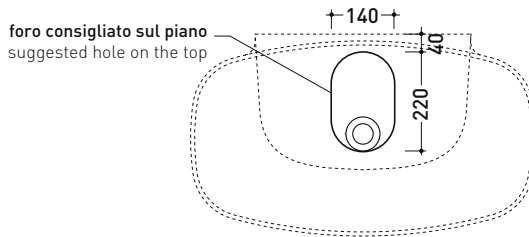
Weight 12,5 kg

Pz. Pallet n° 12

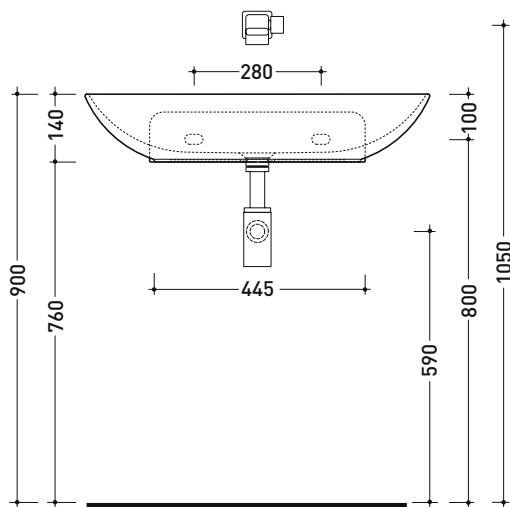
CE UNI EN 14688 - CL00 Dop-No14688



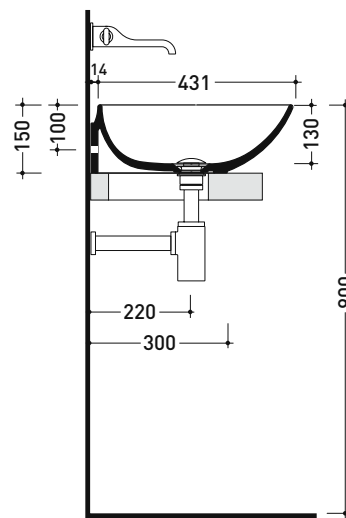
vista zenitale / zenital view



vista zenitale / zenital view



vista frontale / frontal view



sezione longitudinale / section

sizes in mm

Please consider a 2% tolerance on indicated measurements

## ND75PR Nudaslim 75

Countertop - wall hung basin 75 cm with tap ledge

• with overflow • arranged for three holes tap

Complements: FORTY6 shelf (F6ND)  
 CUBIKA wall hung vanity units depth 37 cm  
 Line taps basin: ONE - NOKÉ - FOLD - X1 - STIL  
 Line accessories: TWO - HOOP - FOLD

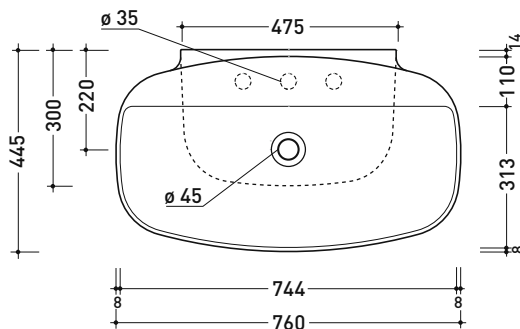
Technical accessories: Chrome siphon (SIFL/CR) - Telescopic chrome siphon (SIFL066)  
 Stop & Go drain (PLSG)  
 Two piece set chrome tap filters (RF026)  
 CERAMIC Stop & Go drain (PLCE)  
 Fixing kit for wall (9002)

Package dim.

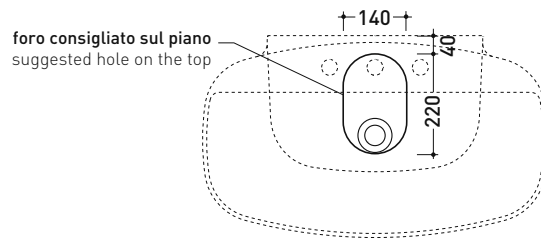
Weight 16,5 kg

Pz. Pallet n° 12

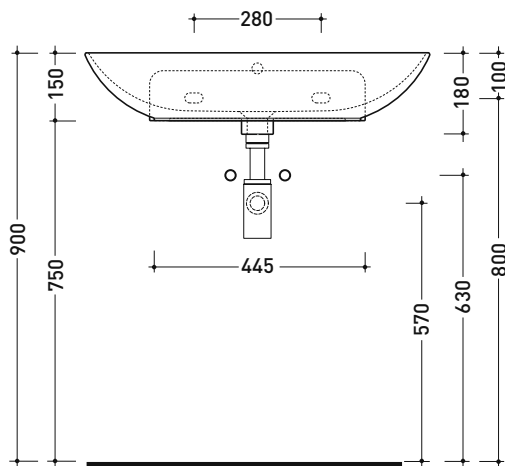
CE UNI EN 14688 - CL20 Dop-No14688



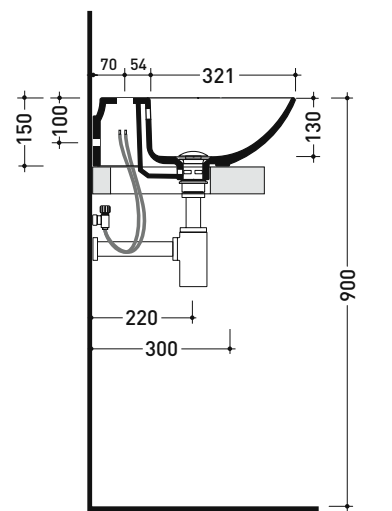
vista zenitale / zenital view



vista zenitale / zenital view



vista frontale / frontal view



sezione longitudinale / section

sizes in mm

Please consider a 2% tolerance on indicated measurements

## ND90L Nudafat 90

### Wall hung console 90 cm

• without overflow • arranged for 3 holes tap

Complements: **Line taps basin:** ONE - NOKÉ - FOLD - X1 - STIL  
**Line accessories:** TWO - HOOP - FOLD

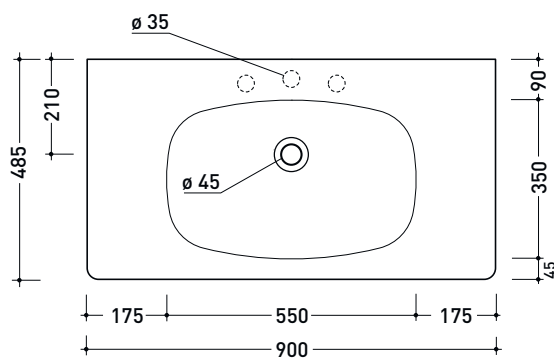
Technical accessories: **Chrome siphon (SIFL/CR) - Telescopic chrome siphon (SIFL066)**  
**Stop & Go drain (PLSG)**  
**Two piece set chrome tap filters (RF026)**  
**CERAMIC Stop & Go drain (PLCE)**  
**Chrome waste with automatic integrated overflow (PLTPCR)**  
**Waste with automatic integrated overflow and ceramic cover (PLTPCE)**  
**Fixing kit for wall (9002)**

Package dim.

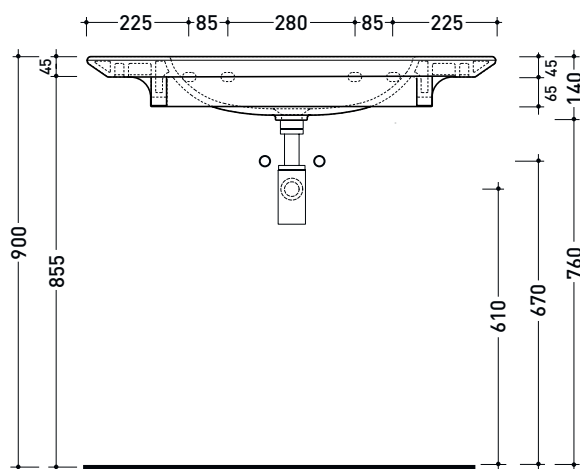
Weight 22 kg

Pz. Pallet n° 10

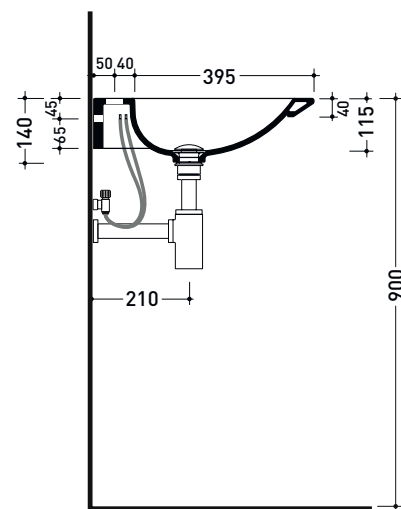
CE UNI EN 14688 - CL00 Dop-No14688



vista zenitale / zenital view



vista frontale / frontal view



sezione longitudinale / section

sizes in mm

Please consider a 2% tolerance on indicated measurements



## ND120L Nudaflat 120

### Wall hung console 120 cm

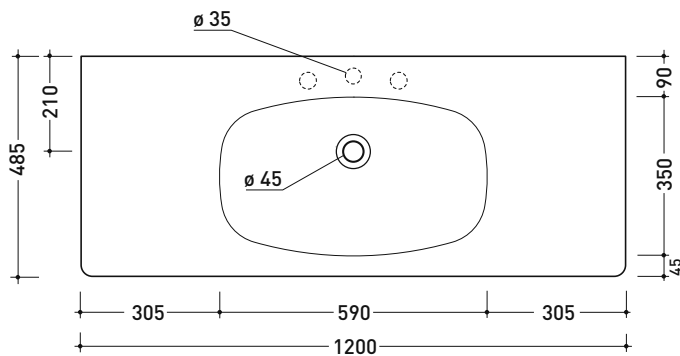
• without overflow • arranged for 3 holes tap

Complements: **Line taps basin:** ONE - NOKÉ - FOLD - X1 - STIL  
**Line accessories:** TWO - HOOP - FOLD

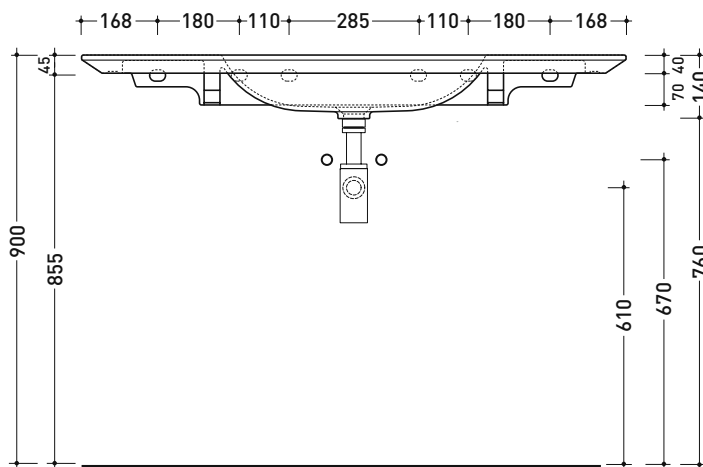
Technical accessories: **Chrome siphon (SIFL/CR) - Telescopic chrome siphon (SIFL066)**  
**Stop & Go drain (PLSG)**  
**Two piece set chrome tap filters (RF026)**  
**CERAMIC Stop & Go drain (PLCE)**  
**Chrome waste with automatic integrated overflow (PLTPCR)**  
**Waste with automatic integrated overflow and ceramic cover (PLTPCE)**  
**Fixing kit for wall (9002)**

Package dim. | Weight **28,5 kg** | Pz. Pallet n° **10**

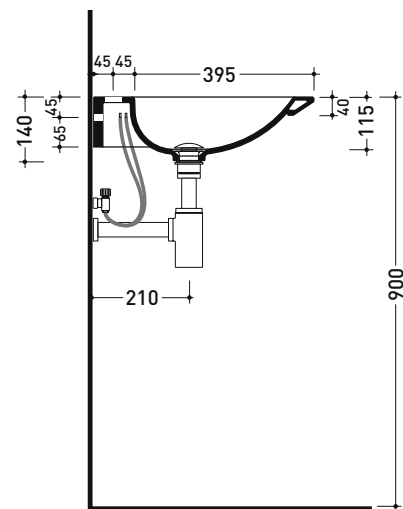
CE UNI EN 14688 - CL00 Dop-No14688



vista zenitale / zenital view



vista frontale / frontal view



sezione longitudinale / section

sizes in mm

Please consider a 2% tolerance on indicated measurements



## 5083 Nuda 60

Countertop - wall hung single-hole basin 60 cm

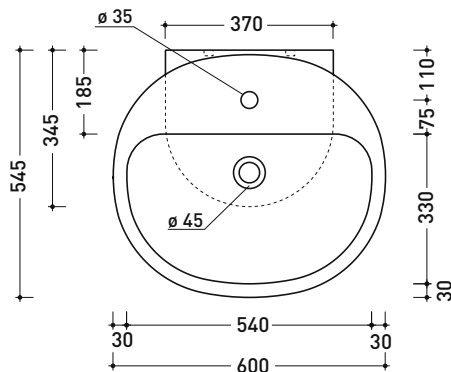
• with overflow

Complements: FORTY6 shelf (F65083)  
 CUBIKA wall hung vanity units depth 50 cm  
 DENVER furniture (DV103M)  
 Line taps basin: ONE - NOKÉ - FOLD - X1 - STIL  
 Line accessories: TWO - HOOP - FOLD

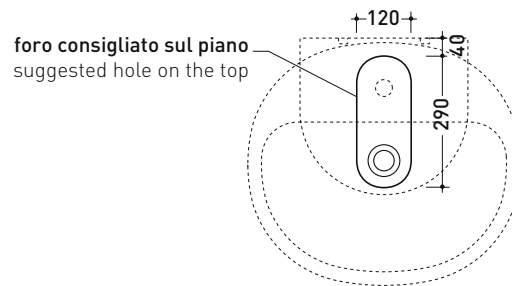
Technical accessories: Chrome siphon (SIFL/CR) - Telescopic chrome siphon (SIFL066)  
 Stop & Go drain (PLSG)  
 CERAMIC Stop & Go drain (PLCE)  
 Two piece set chrome tap filters (RF026)  
 Fixing kit for wall (9002)

Package dim. 60 x 19 x 56 cm | Weight 17,4 kg | Pz. Pallet n° 20

CE UNI EN 14688 - CL20 Dop-No14688

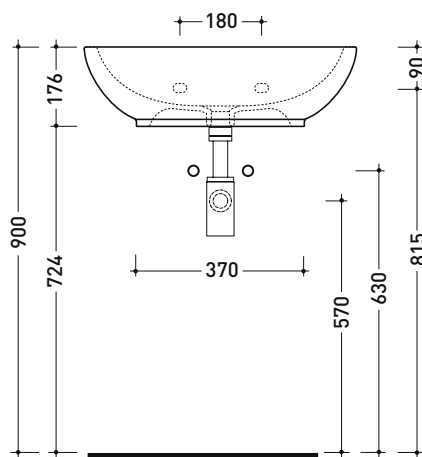


vista zenitale / zenital view

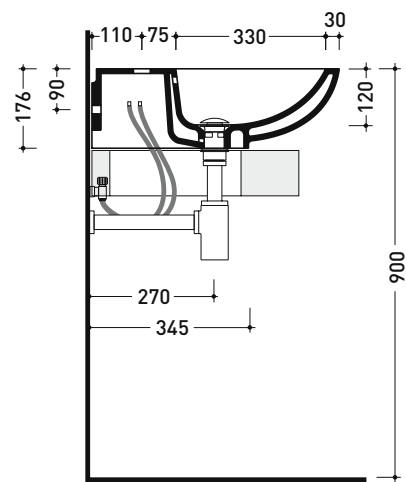


foro consigliato sul piano  
suggested hole on the top

vista zenitale / zenital view



vista frontale / frontal view



sezione longitudinale / section

sizes in mm

Please consider a 2% tolerance on indicated measurements

## 5080 Nuda 85

### Countertop - wall hung basin 85 cm

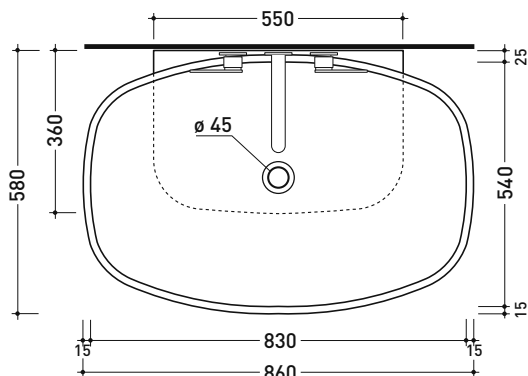
• without overflow • without tap ledge

Complements: FORTY6 shelf (F68081)  
 CUBIKA wall hung vanity units depth 50 cm  
 DENVER furniture (DV103M)  
 Line taps basin: ONE - NOKÉ - SI - X1 - STIL  
 Line accessories: TWO - HOOP - FOLD

Technical accessories: Chrome siphon (SIFL/CR) - Telescopic chrome siphon (SIFL066)  
 Stop & Go drain (PLSG)  
 CERAMIC Stop & Go drain (PLCE)  
 Chrome waste with automatic integrated overflow (PLTPCR)  
 Waste with automatic integrated overflow and ceramic cover (PLTPCE)  
 Two piece set chrome tap filters (RF026)  
 Fixing kit for wall (9002)

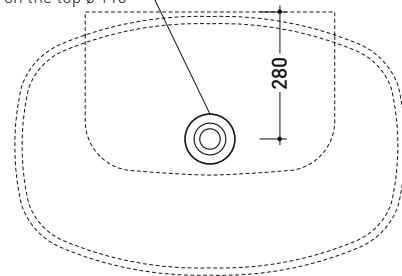
Package dim. 87 x 18,5 x 59,5 cm | Weight 28,6 kg | Pz. Pallet n° 10

CE UNI EN 14688 - CL00 Dop-No14688

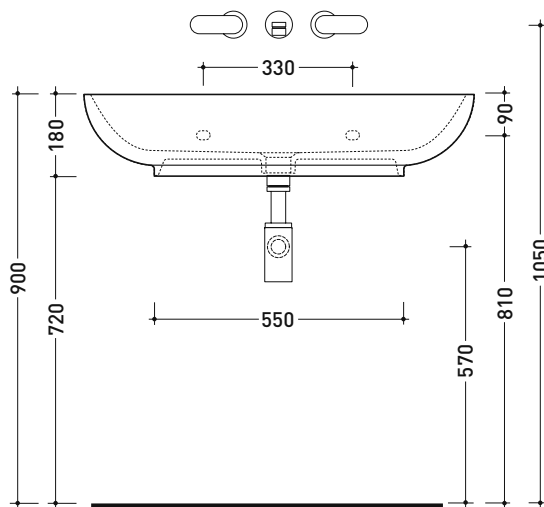


vista zenitale / zenital view

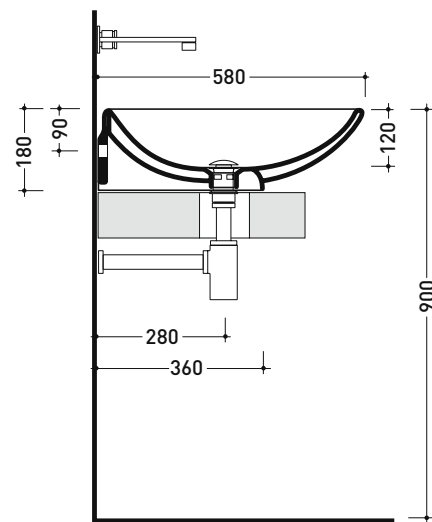
foro consigliato sul piano ø 110  
 suggested hole on the top ø 110



vista zenitale / zenital view



vista frontale / frontal view



sezione longitudinale / section

sizes in mm

Please consider a 2% tolerance on indicated measurements

## 5081 Nuda 85

### Countertop - wall hung basin 85 cm with tap ledge

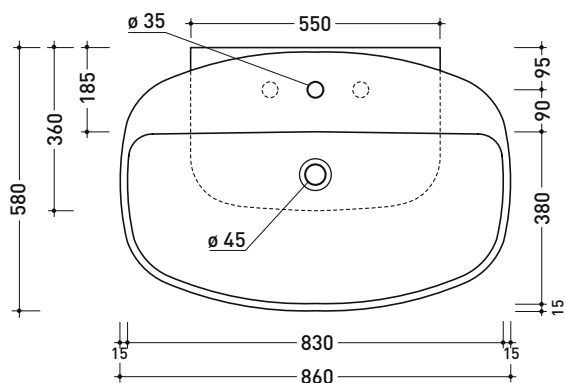
• with overflow • arranged for three holes tap

Complements: FORTY6 shelf (F68081)  
 CUBIKA wall hung vanity units depth 50 cm  
 DENVER furniture (DV103M)  
 Line taps basin: ONE - NOKÉ - FOLD - X1 - STIL  
 Line accessories: TWO - HOOP - FOLD

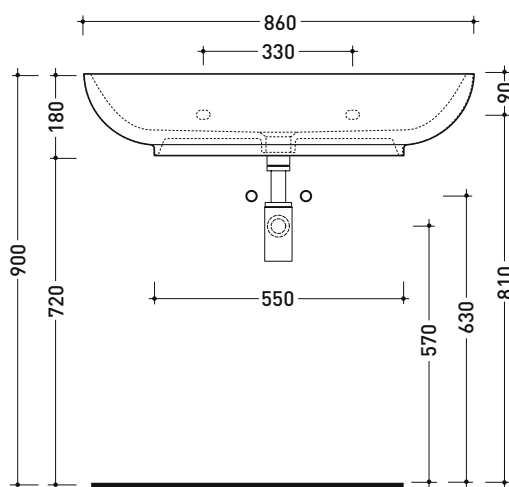
Technical accessories: Chrome siphon (SIFL/CR) - Telescopic chrome siphon (SIFL066)  
 Stop & Go drain (PLSG)  
 CERAMIC Stop & Go drain (PLCE)  
 Two piece set chrome tap filters (RF026)  
 Fixing kit for wall (9002)

Package dim. 87 x 18,5 x 59,5 cm | Weight 30,3 kg | Pz. Pallet n° 10

CE UNI EN 14688 - CL20 Dop-No14688

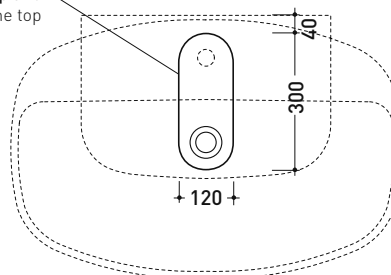


vista zenitale / zenital view

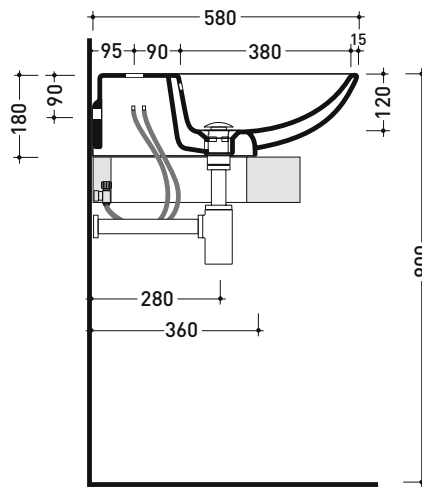


vista frontale / frontal view

foro consigliato sul piano  
suggested hole on the top



vista zenitale / zenital view



sezione longitudinale / section

## 5082 Nuda 95

### Countertop - wall hung basin 95 cm

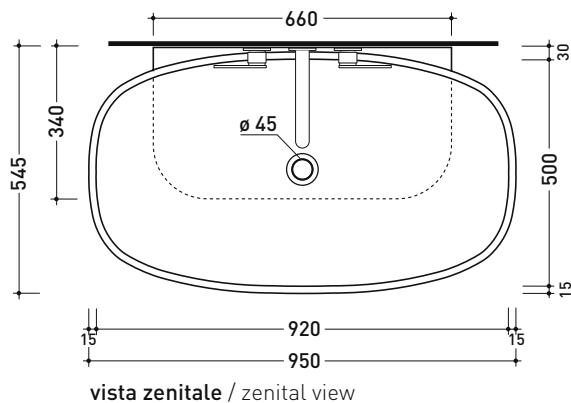
• without overflow • without tap ledge

Complements: FORTY6 shelf (F65082)  
 CUBIKA wall hung vanity units depth 50 cm  
 DENVER furniture (DV103M)  
 Line taps basin: ONE - NOKÉ - SI - X1 - STIL  
 Line accessories: TWO - HOOP - FOLD

Technical accessories: Chrome siphon (SIFL/CR) - Telescopic chrome siphon (SIFL066)  
 Stop & Go drain (PLSG)  
 CERAMIC Stop & Go drain (PLCE)  
 Chrome waste with automatic integrated overflow (PLTPCR)  
 Waste with automatic integrated overflow and ceramic cover (PLTPCE)  
 Two piece set chrome tap filters (RF026)  
 Fixing kit for wall (9002)

Package dim. 95 x 18 x 59,5 cm | Weight 30,3 kg | Pz. Pallet n° 10

CE UNI EN 14688 - CL00 Dop-No14688



foro consigliato sul piano ø 110  
 suggested hole on the top ø 110

