
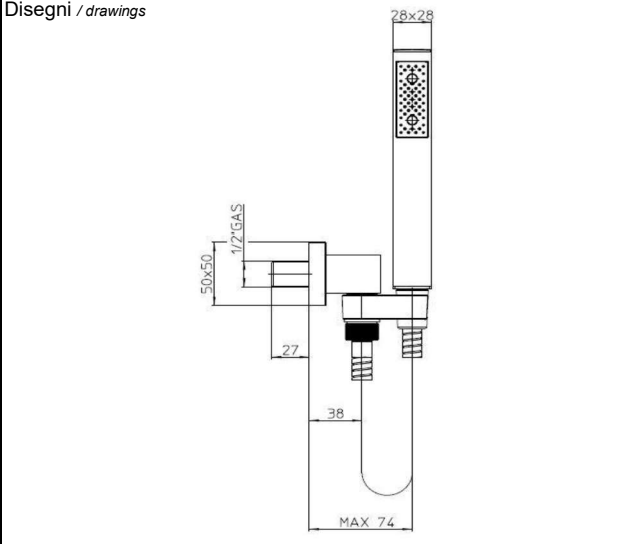
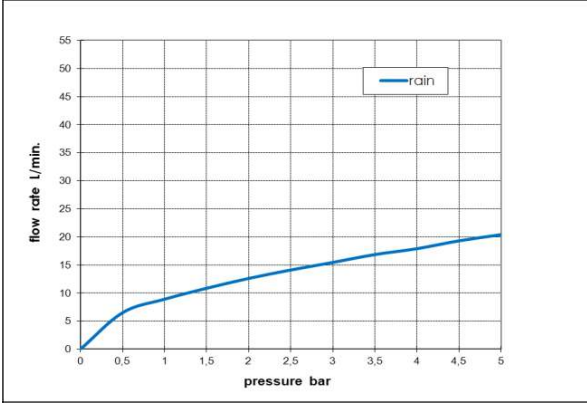


BOSSINI		SCHEDA TECNICA TECHNICAL SHEET		Date: 22/03/2017	Rev/0																										
Codice / Code: C55001		Descrizione / description: DUPLEX DOCCIA CON SUPPORTO AD INCASSO, ATTACCO CONICO GIREVOLE E FLESSIBILE CM 150, DOCCIA MONOGETTO IN OTTONE CUBE SHOWER SET WITH SUPPLY ELBOW AND SWIVEL HOOK, HOSE CM 150, SINGLE FUNCTION BRASS HANDSHOWER CUBE																													
Foto / image		Disegni / drawings																													
																															
Grafico di portata / Flow rate diagram																															
<table border="1"> <thead> <tr> <th></th> <th>rain</th> </tr> </thead> <tbody> <tr><td>0</td><td>0</td></tr> <tr><td>0,5</td><td>6,5</td></tr> <tr><td>1</td><td>8,9</td></tr> <tr><td>1,5</td><td>10,85</td></tr> <tr><td>2</td><td>12,6</td></tr> <tr><td>2,5</td><td>14,1</td></tr> <tr><td>3</td><td>15,45</td></tr> <tr><td>3,5</td><td>16,85</td></tr> <tr><td>4</td><td>17,9</td></tr> <tr><td>4,5</td><td>19,3</td></tr> <tr><td>5</td><td>20,4</td></tr> <tr> <td>pressure bar</td> <td>flow rate L/min</td> </tr> </tbody> </table>			rain	0	0	0,5	6,5	1	8,9	1,5	10,85	2	12,6	2,5	14,1	3	15,45	3,5	16,85	4	17,9	4,5	19,3	5	20,4	pressure bar	flow rate L/min				
	rain																														
0	0																														
0,5	6,5																														
1	8,9																														
1,5	10,85																														
2	12,6																														
2,5	14,1																														
3	15,45																														
3,5	16,85																														
4	17,9																														
4,5	19,3																														
5	20,4																														
pressure bar	flow rate L/min																														
MATERIALI / materials																															
Handshower: Brass, plastic, silicone; Supply Elbow: Brass, rubber, plastic; Hose: brass tube and connectors, PVC inner tube																															
CARATTERISTICHE IDRAULICHE / hydraulic features																															
	pressione pressure	portata flow rate	temperatura temperature	solo per miscelatori termostatici only for thermostatic mixers																											
min	1 bar	/	--	Blocco di sicurezza safety lock	/																										
max	5 bar	/	<70°C	Temperatura acqua fredda cold water temperature	/																										
consigliata recommended	2-3 bar	5 L/min	--	Temperatura acqua calda hot water temperature	/																										
CERTIFICAZIONI / CERTIFICATIONS																															
Handshower B00255: ACS(FRA), NF [EN 1112] (FRA), WATERMARK [AS/NZS 3662:2005] (AUS), WELS [3 star] (AUS), CSA [ASME A112.18.1/CSA B125.1](CAN/USA), IAPMO [ASME A112.18.1/CSA B125.1] (USA/CAN);																															
Hose A03045: ACS (France), NF [EN 1113] (FRA).																															
CONFORMITA' / CONFORMITY																															
Chrome plating EN 248;																															