

Marchio / Brand ZUCCHETTI

Classe / Class TERMOSTATICI

## SHOWER

ZT5092

Colonna doccia con termostatico esterno. / Shower column with exposed thermostatic mixer.



Colonna doccia con termostatico esterno, corpo termostatico freddo, soffione in acciaio cromato 300x300 mm e spessore ultra s

Shower column with exposed thermostatic mixer, thermo-insulated body, 300x300 mm stainless steel 3 mm extra slim shower h

## Finiture / Finishes

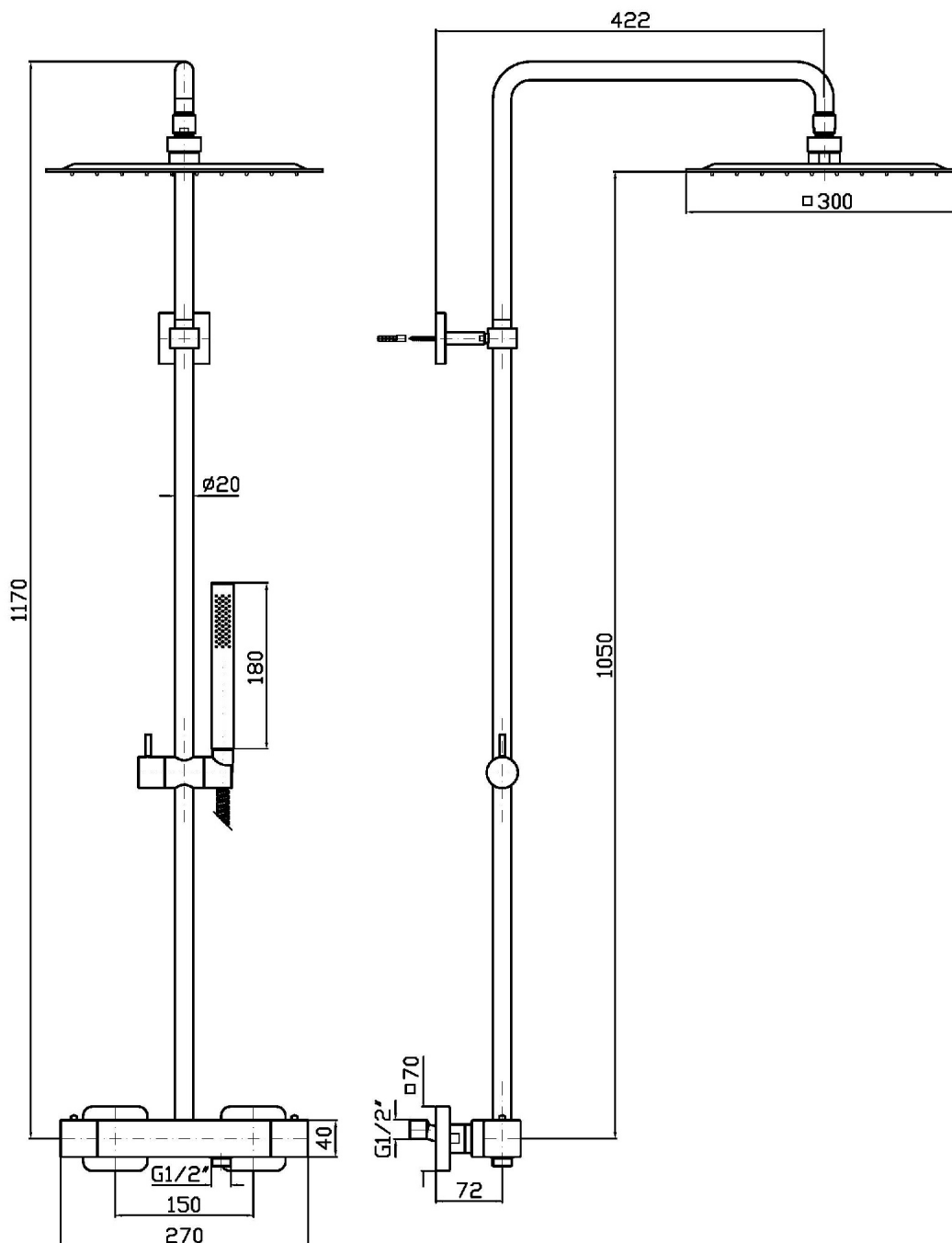


Cromo / Chrome

## SHOWER

ZT5092

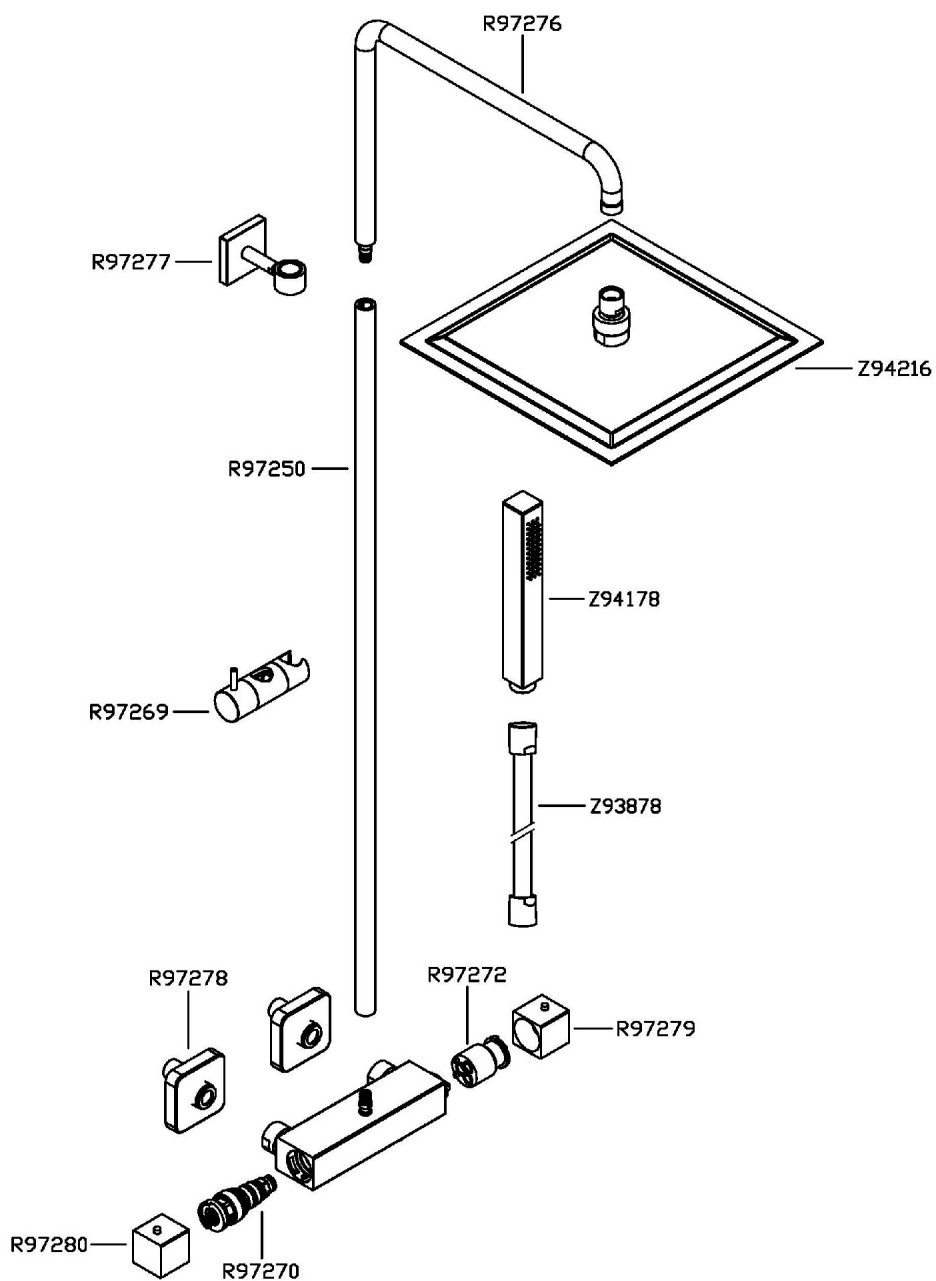
Disegno Complessivo / Overall Drawing



## SHOWER

ZT5092

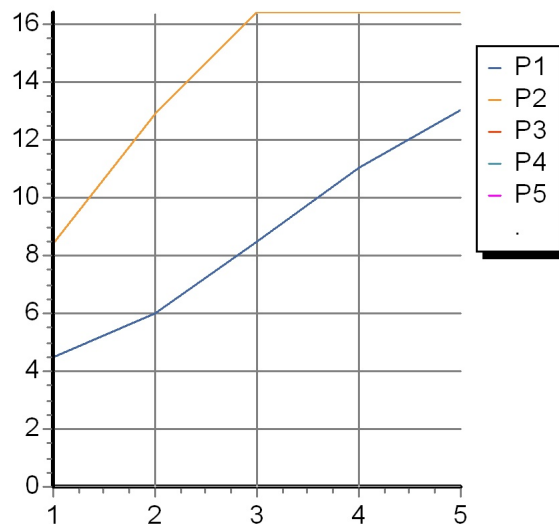
Esplosi / Exploded



## SHOWER

ZT5092 Portate / Flowrates (lt/min)

PRESSIONE PRESSURE	1 BAR	2 BAR	3 BAR	4 BAR	5 BAR
<i>P1</i> SOFFIONE SHOWER HEAD	8,4	12,9	16,4	16,4	16,4
<i>P2</i> DOCCETTA HANDSHOWER	4,5	6	8,5	11	13
<i>P3</i>					
<i>P4</i>					
<i>P5</i>					



## SHOWER

ZT5092 Pesì e Misure / Weights and Sizes

Peso ( Kg ) Weight ( lb )	9,2 ( Kg )	20,28232 ( lb )
Volume ( dc3 ) - ( in3 )	62,66 ( dc3 )	0,003824 ( in3 )
h ( mm ) - ( in )	110 ( mm )	4,330711 ( in )
L1 ( mm ) - ( in )	445 ( mm )	17,5196945 ( in )
L2 ( mm ) - ( in )	1280 ( mm )	50,393728 ( in )

