

SHOWER

ZD1050

Colonna doccia completa di termostatico esterno. / Shower column with exposed thermostatic mixer.



Colonna doccia completa di termostatico esterno, soffione Z94265 e doccetta in ottone Z94177 a getto fisso.
Water Saving - portata d'acqua uguale o inferiore a 9 l/min.

Shower column with exposed thermostatic mixer, Z94265 shower head and brass handshower simple jet Z94177.
Water Saving - water flow rate of 9 l/min or less.

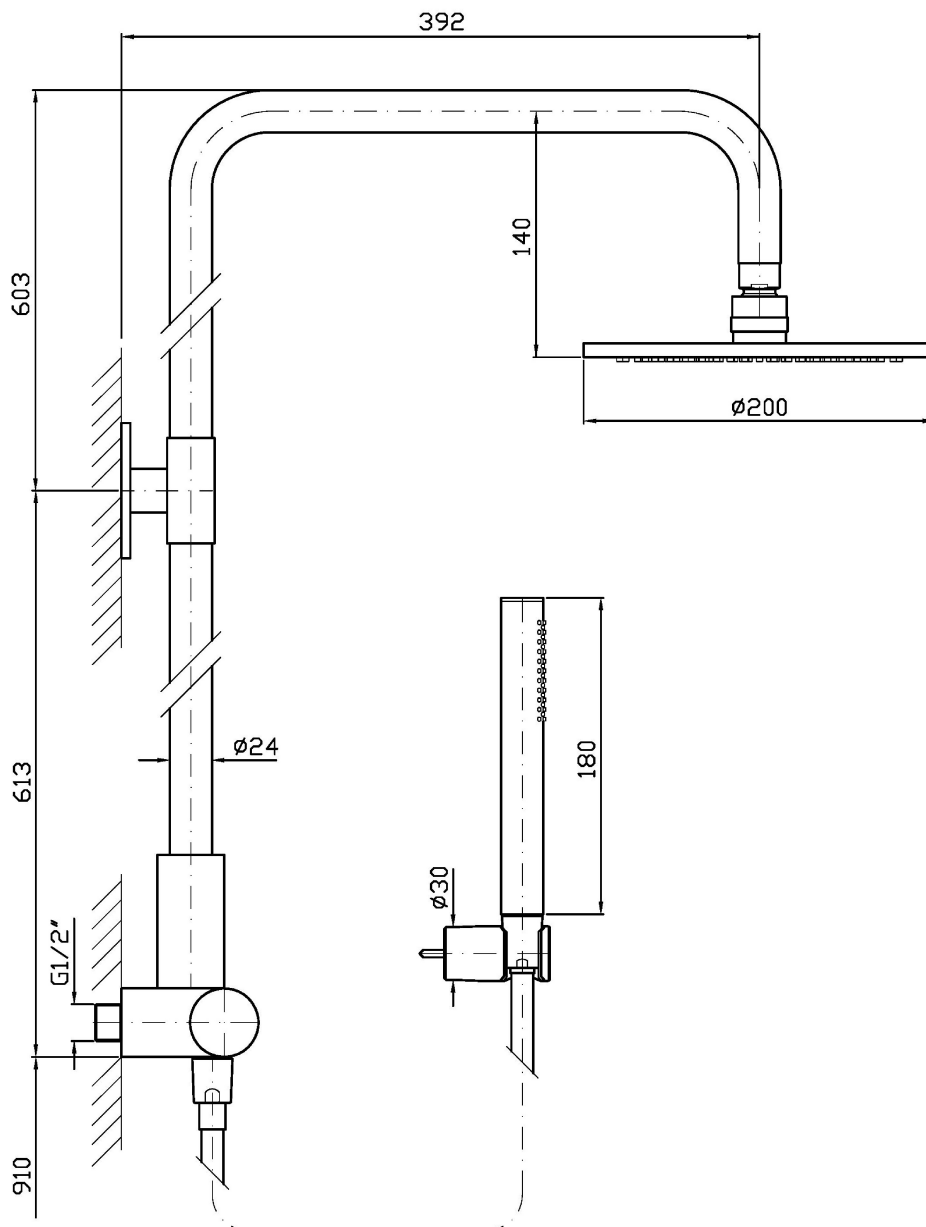
Finiture / Finishes

 C3	 C8	 C40	 C41	 C50	 C51	
Cromo / Chrome	Nickel Spazzolato / Brushed Nickel	Nickel Lucido / Polished Nickel	Oro / Gold	Oro spazzolato / Brushed Gold	Metal Black / Metal Black	
 W1	 N1	 N6	 P21	 P31	 P41	 P81
Bianco Opaco Goffrato / Embossed Matt White	Nero Opaco Goffrato / Embossed Matt Black	Nero opaco / Matt black	PVD brushed chocolate / PVD brushed chocolate	Brushed PVD British gold / Brushed PVD British gold	PVD Oro Spazzolato / PVD Brushed Gold	Brushed total black PVD / Brushed total black PVD
 J3	 K7	 R6	 V7	 V8		
Glossy gesso / Glossy gesso	Pearl cipria / Pearl cipria	Pearl chili / Pearl chili	Pearl salvia / Pearl salvia	Matt mirto / Matt mirto		

SHOWER

ZD1050

Disegno Complessivo / Overall Drawing

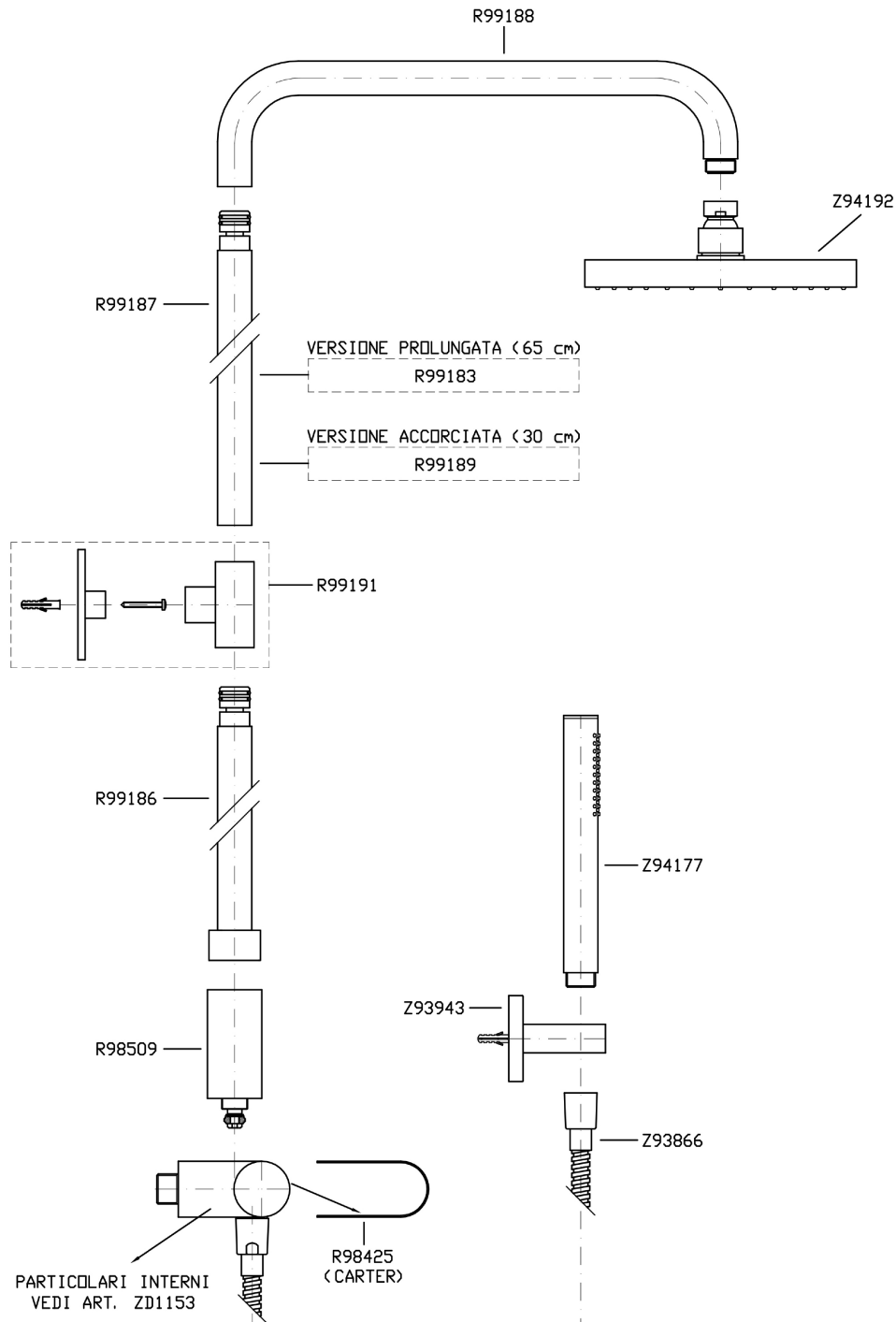


Note / Notes

SHOWER

ZD1050

Esplosi / Exploded



SHOWER

ZD1050

Certificazioni / Certifications

BELGIO

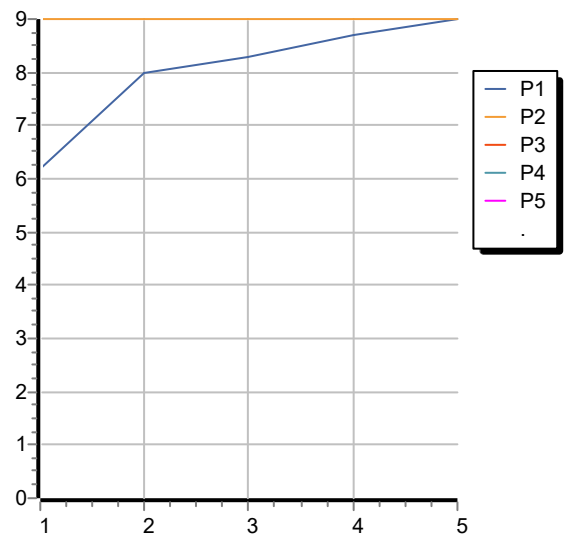
BELGAQUA

SHOWER

ZD1050

Portate / Flowrates (lt/min)

PRESSIONE PRESSURE	1 BAR	2 BAR	3 BAR	4 BAR	5 BAR
<small>P1</small> DOCCETTA HANDSHOWER	6,2	8	8,3	8,7	9
<small>P2</small> SOFFIONE SHOWER HEAD	9	9	9	9	9
<small>P3</small>					
<small>P4</small>					
<small>P5</small>					



SHOWER

ZD1050

Pesi e Misure / Weights and Sizes

Peso (Kg) Weight (lb)	8,40 (Kg)	18,52 (lb)
Volume test (dc3) - (in3)	53,39 (dc3)	3258,06 (in3)
h (mm) - (in)	215,00 (mm)	8,46 (in)
L1 (mm) - (in)	260,00 (mm)	10,24 (in)
L2 (mm) - (in)	955,00 (mm)	37,60 (in)

