

SHOWER

Z94250

Soffione a parete con 2 bracci orientabili. / Wall mounted shower head with 2 adjustable arms.



Soffione a parete con 2 bracci orientabili, snodo centrale, contrappeso e giunto snodato all'attacco del soffione.
Water Saving - portata d'acqua uguale o inferiore a 9 l/min.

Wall mounted shower head with 2 adjustable arms, central junction, counterweight and floating joint at the base of the shower head.

Water Saving - water flow rate of 9 l/min or less.

Finiture / Finishes



Cromo / Chrome



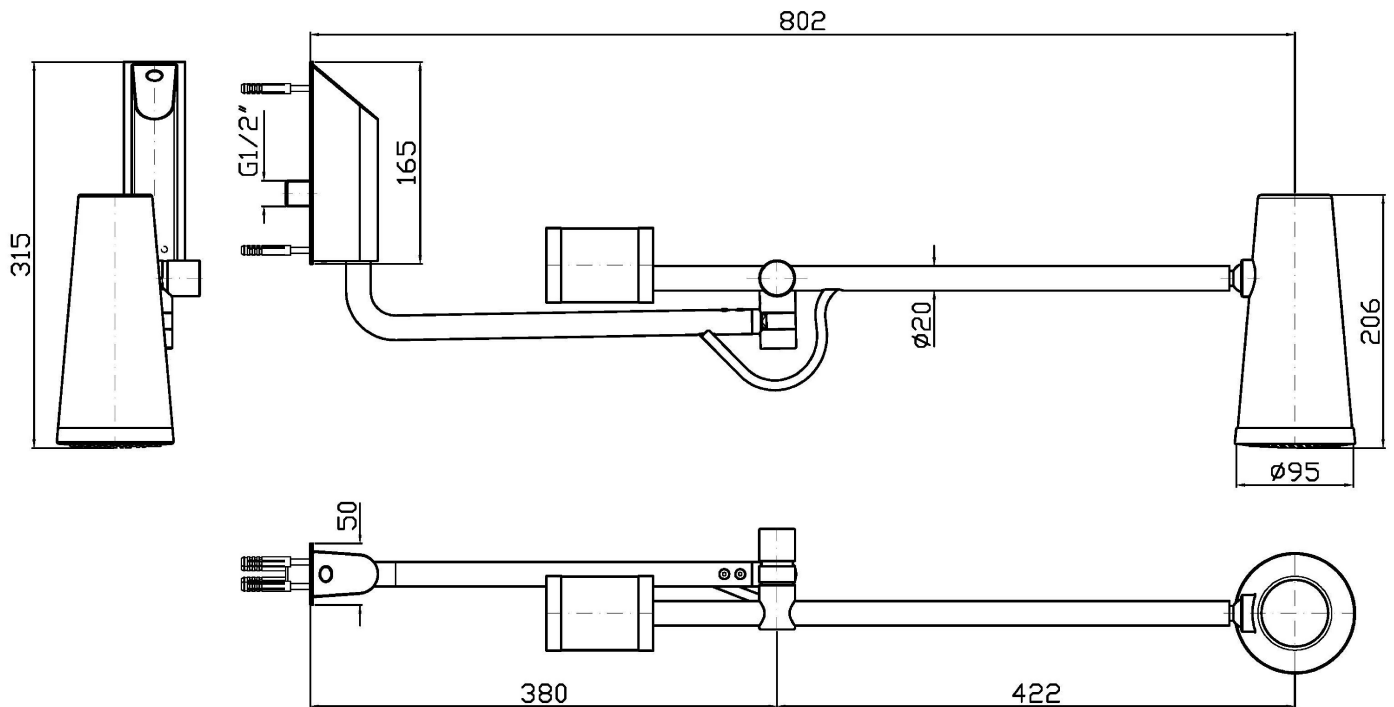
N6

Nero opaco / Matt black

SHOWER

Z94250

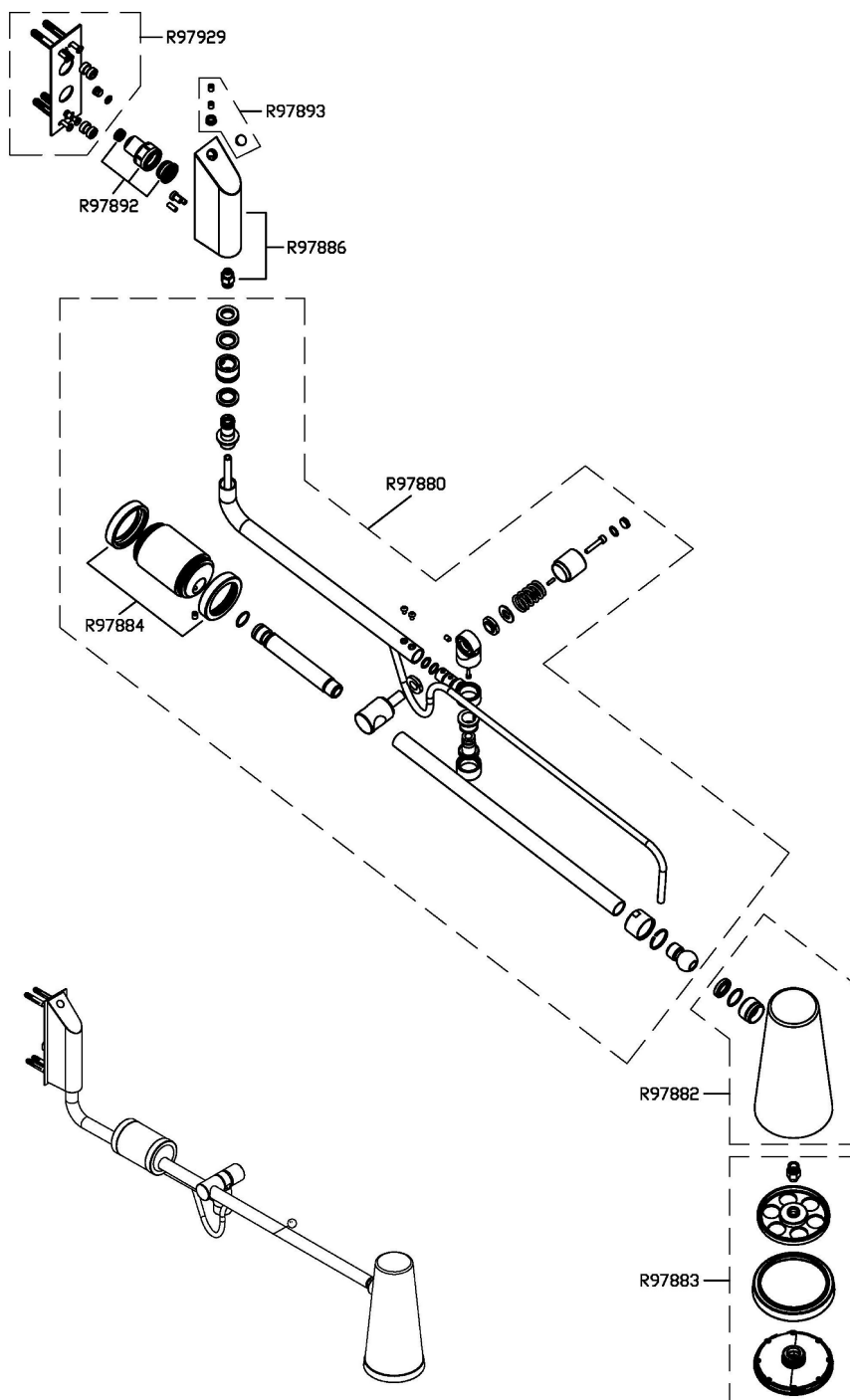
Disegno Complessivo / Overall Drawing



SHOWER

Z94250

Esplosi / Exploded



SHOWER

Z94250

Certificazioni / Certifications

AUSTRALIA

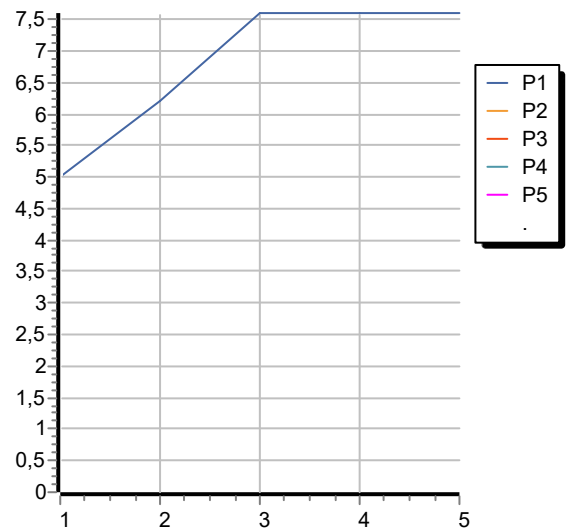
IAPMO OCEANA

SHOWER

Z94250

Portate / Flowrates (lt/min)

PRESSIONE PRESSURE	1 BAR	2 BAR	3 BAR	4 BAR	5 BAR
SOFFIONE SHOWER HEAD P1	5	6,2	7,6	7,6	7,6
P2					
P3					
P4					
P5					



SHOWER

Z94250

Pesi e Misure / Weights and Sizes

Peso (Kg) Weight (lb)	7,50 (Kg)	16,53 (lb)
Volume test (dc3) - (in3)	41,77 (dc3)	2548,96 (in3)
h (mm) - (in)	110,00 (mm)	4,33 (in)
L1 (mm) - (in)	440,00 (mm)	17,32 (in)
L2 (mm) - (in)	915,00 (mm)	36,02 (in)

