

design **LORENZO DAMIANI**

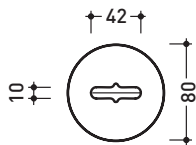
2010

FLPF

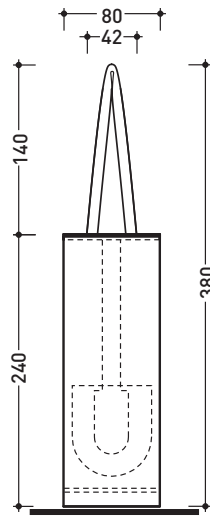
Toilet brush holder

Complements: **Line taps FOLD**

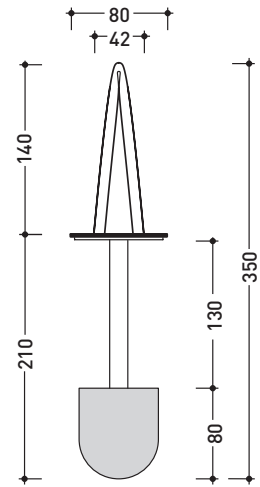
Package dim. **50 x 13 x 14 cm** | Weight **1,4 kg** | Pz. Pallet n° -



vista zenitale / zenital view



vista frontale / frontal view



scopino / toilet brush

size in mm

april 2016

BRASS: glossy finish

Chrome



design **LORENZO DAMIANI**

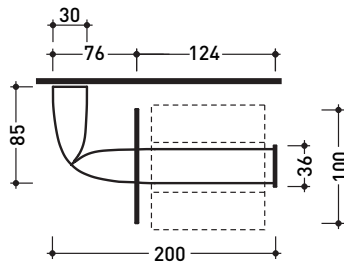
2010

FLPR

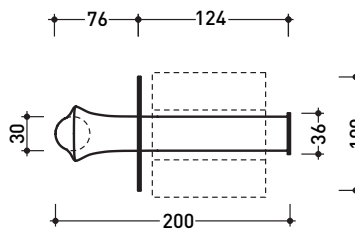
Paper holder

Complements: **Line taps FOLD**

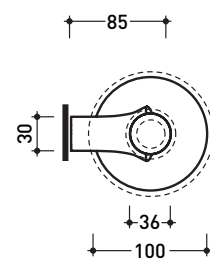
Package dim. 23 x 12 x 12 cm | Weight 0,7 kg | Pz. Pallet n° -



vista zenitale / zenital view



vista frontale / frontal view



vista laterale / lateral view

size in mm

april 2016

BRASS: glossy finish

Chrome



design **LORENZO DAMIANI**

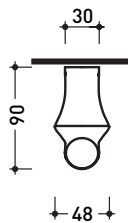
2010

FLPA

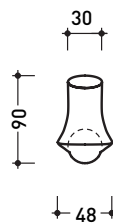
Towel hook

Complements: **Line taps FOLD**

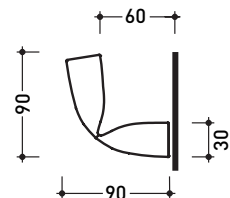
Package dim. **14 x 8 x 12 cm** | Weight **0,2 kg** | Pz. Pallet n° -



vista zenitale / zenital view



vista frontale / frontal view



vista laterale / lateral view

size in mm

april 2016

BRASS: glossy finish

Chrome



Fold

→ **FLAMINIA.**

design **LORENZO DAMIANI**

2010

FL30

Towel holder 30 cm

Package dim. 32 x 8 x 10 cm

Weight 0,5 kg

Pz. Pallet n° -

FL45

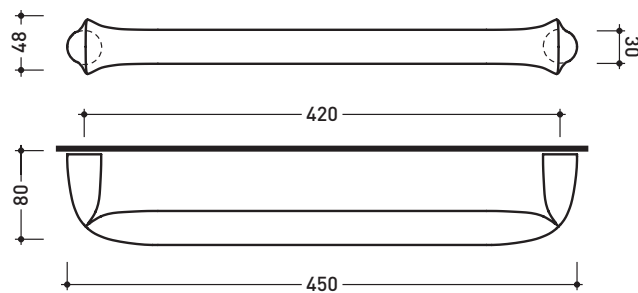
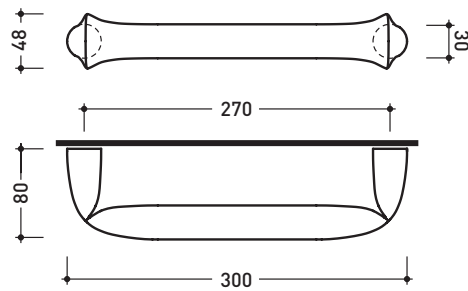
Towel holder 45 cm

Package dim. 47 x 8 x 10 cm

Weight 0,6 kg

Pz. Pallet n° -

Complements: Line taps FOLD



size in mm

april 2016

BRASS: glossy finish

Chrome



design **LORENZO DAMIANI**

2010

FL60

Towel holder 60 cm

Package dim. 62 x 8 x 10 cm

Weight 0,8 kg

Pz. Pallet n° -

FL90

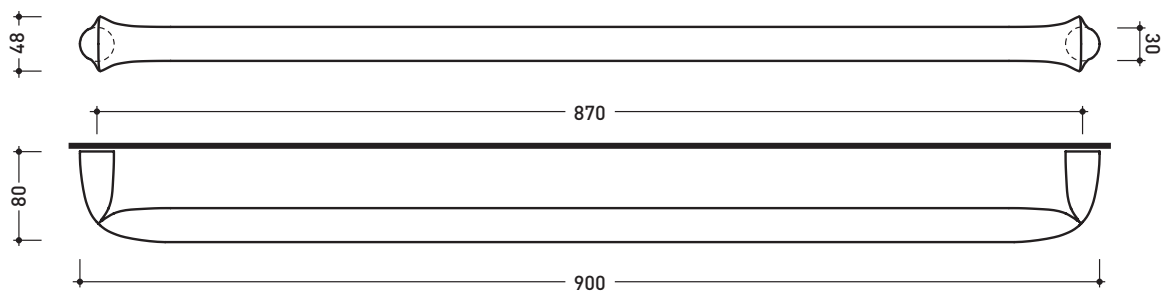
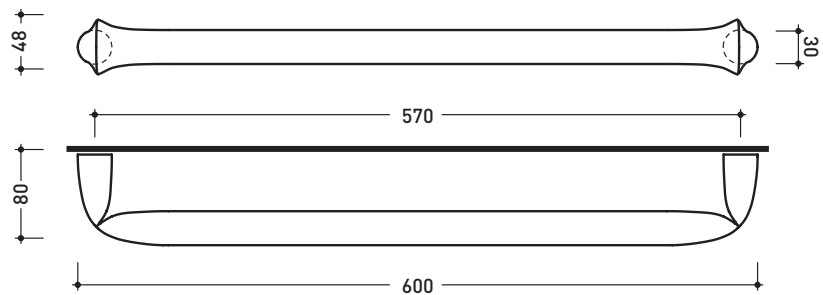
Towel holder 90 cm

Package dim. 92 x 8 x 10 cm

Weight 1 kg

Pz. Pallet n° -

Complements: **Line taps FOLD**



size in mm

april 2016

BRASS: glossy finish

Chrome



Fold

➔ **FLAMINIA.**

design **LORENZO DAMIANI**

2010

FL45M

Crystal shelf 45 cm

Package dim. 48 x 8 x 16 cm | Weight 1,4 kg | Pz. Pallet n° -

FL60M

Crystal shelf 60 cm

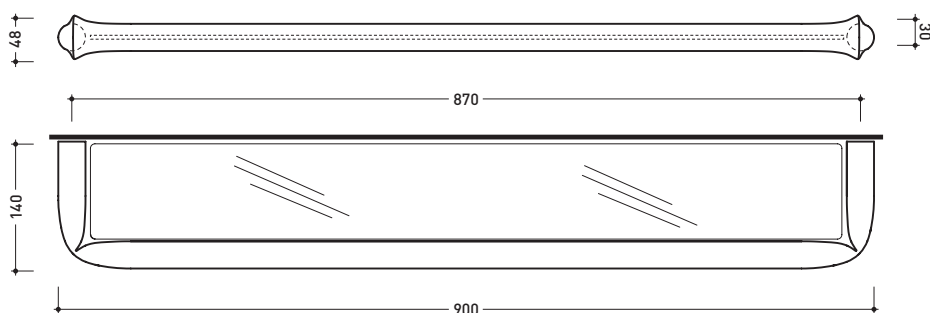
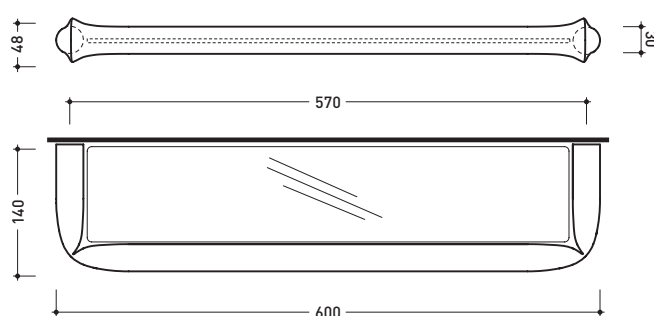
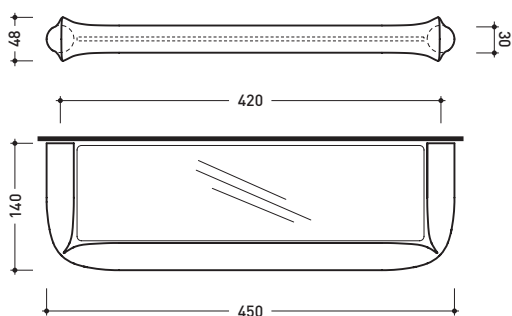
Package dim. 63 x 8 x 16 cm | Weight 2 kg | Pz. Pallet n° -

FL90M

Crystal shelf 90 cm

Package dim. 93 x 8 x 16 cm | Weight 2,5 kg | Pz. Pallet n° -

Complements: **Line taps FOLD**



dimensioni in mm

gennaio 2014

BRASS: glossy finish

Chrome



design **LORENZO DAMIANI**

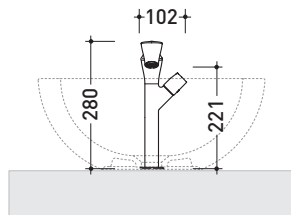
2013

FL3055

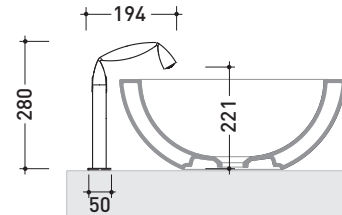
High single lever basin mixer (stop&go drain included)

Complements: **Line accessories FOLD**

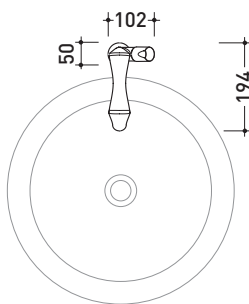
Package dim. **19 x 19 x 12 cm** | Weight **1,8 kg** | Pz. Pallet n° -



vista frontale / frontal view



vista laterale / lateral view



vista zenitale / zenital view

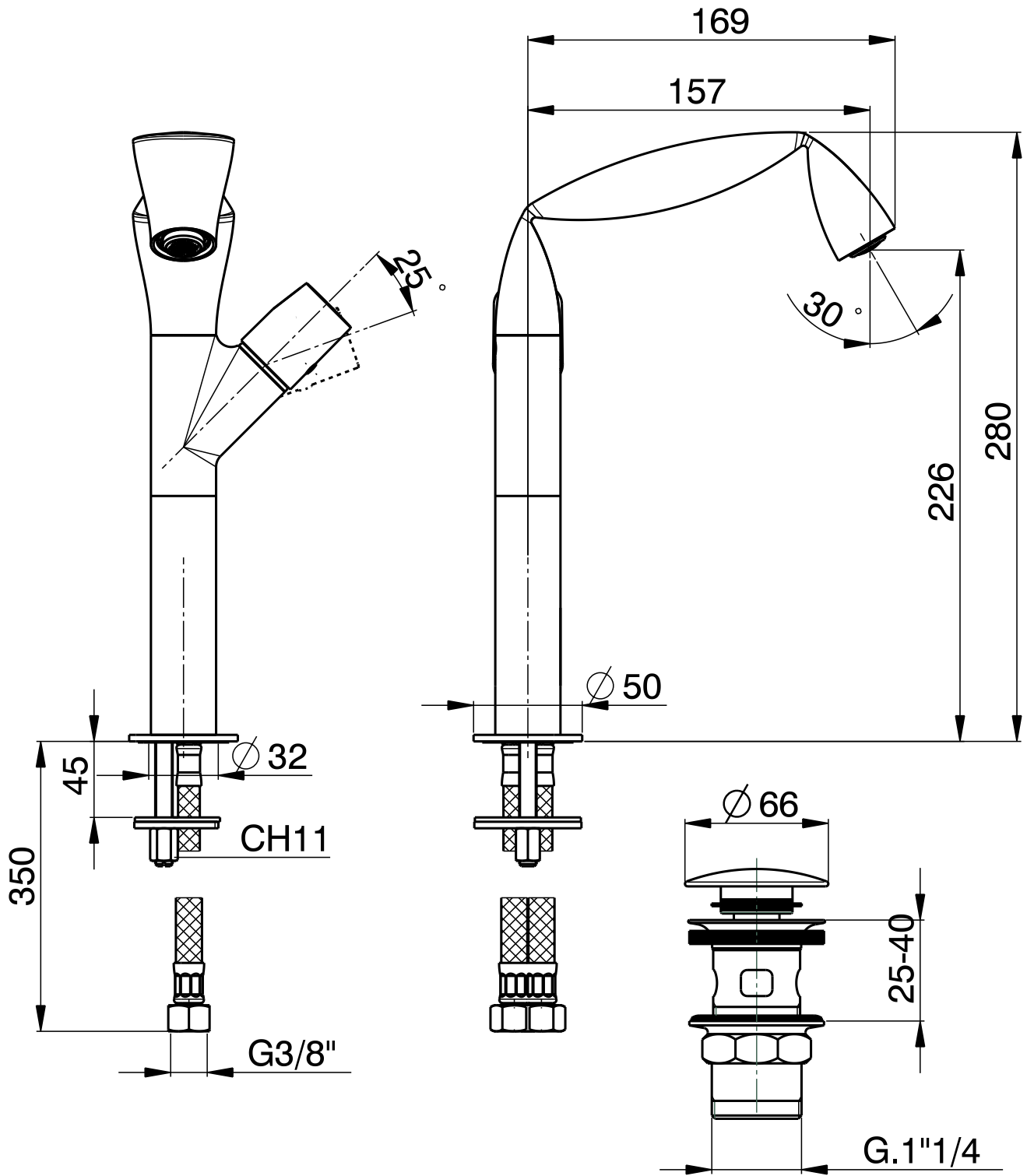
size in mm

april 2016

BRASS: glossy finish

Chrome





design **LORENZO DAMIANI**

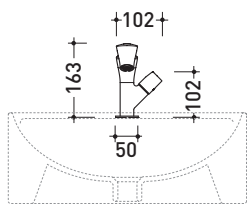
2013

FL3050

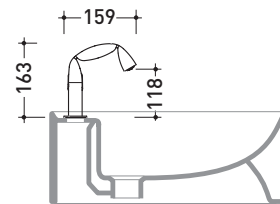
Single lever basin mixer (stop&go drain included)

Complements: **Line accessories FOLD**

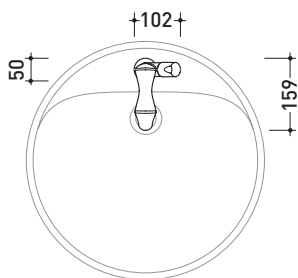
Package dim. **19 x 19 x 12 cm** | Weight **1,7 kg** | Pz. Pallet n° -



vista frontale / frontal view



vista laterale / lateral view



vista zenitale / zenital view

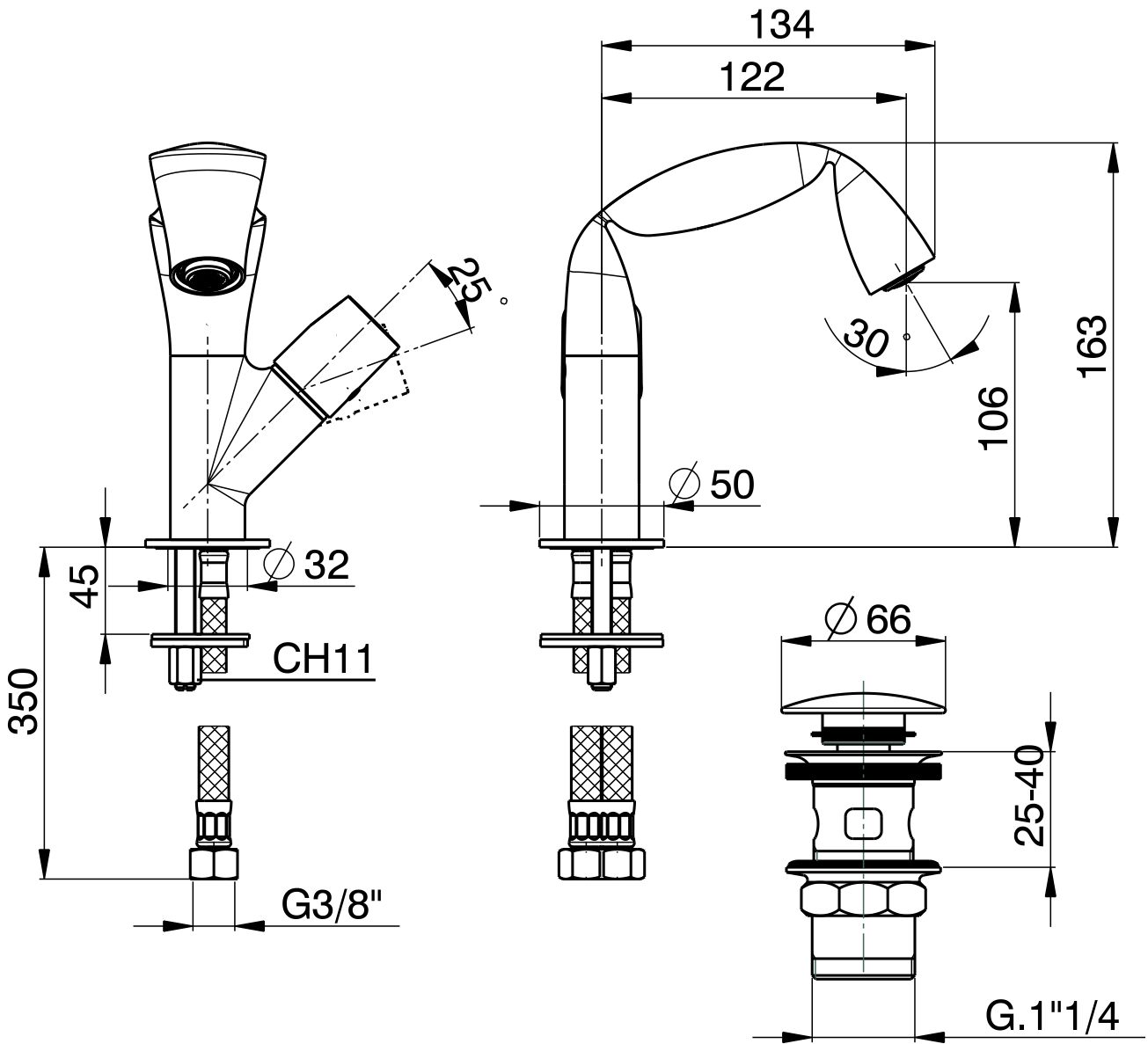
size in mm

april 2016

BRASS: glossy finish

Chrome





design **LORENZO DAMIANI**

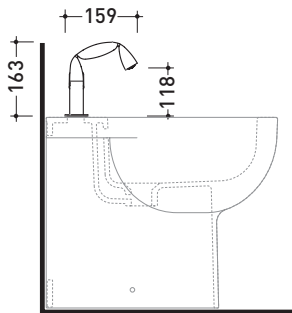
2013

FL4070

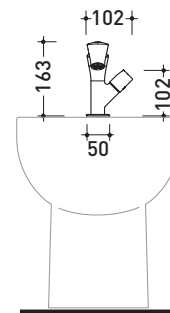
Single lever bidet mixer (stop&go drain included)

Complements: **Line accessories FOLD**

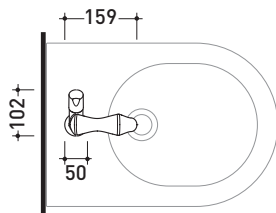
Package dim. **19 x 19 x 12 cm** | Weight **1,7 kg** | Pz. Pallet n° -



vista laterale / lateral view



vista frontale / frontal view



vista zenitale / zenital view

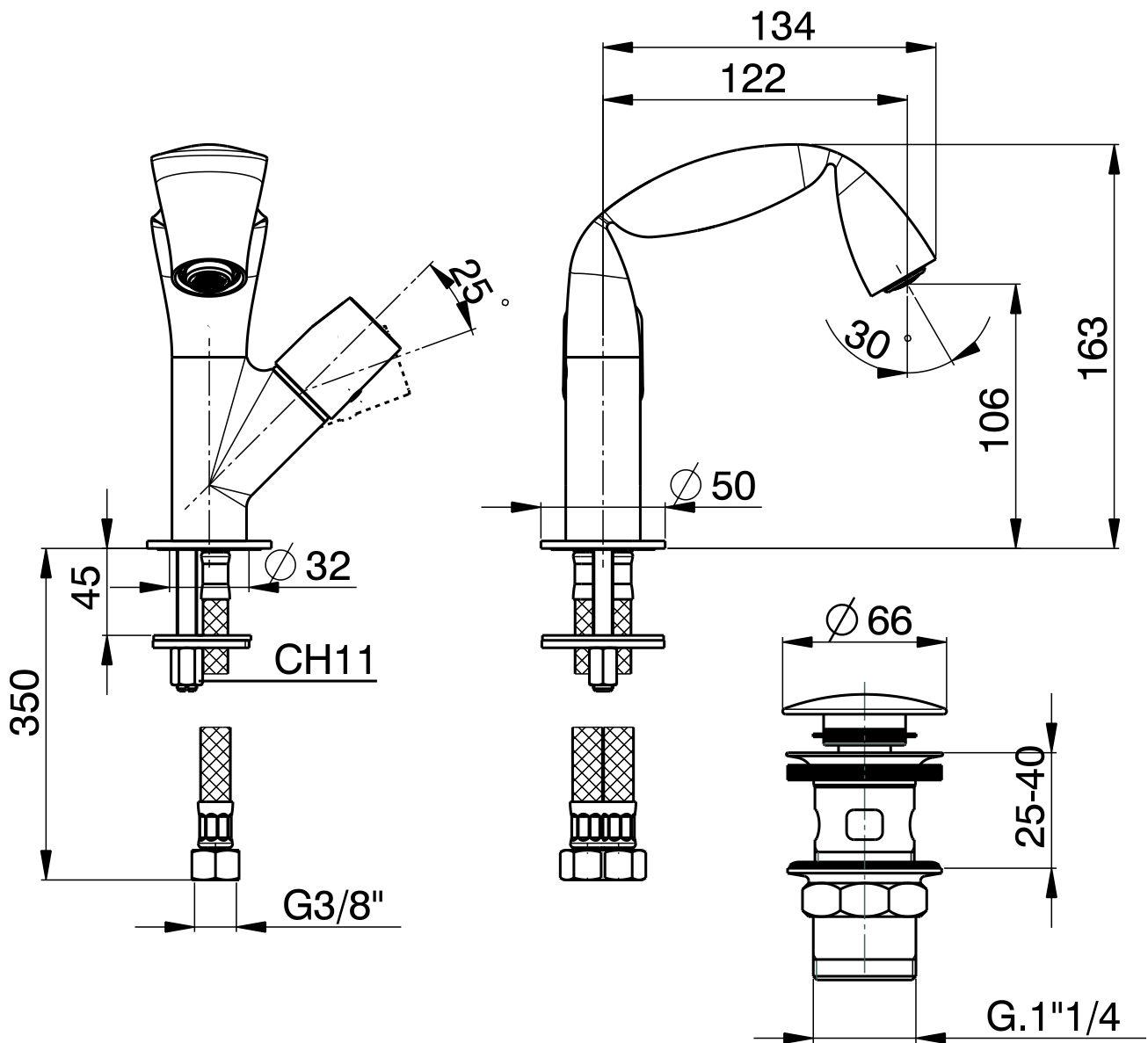
size in mm

april 2016

BRASS: glossy finish

Chrome





Fold

design **LORENZO DAMIANI**

2013

FL3052

Free-standing basin mixer

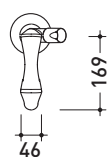
Complements: **Line accessories FOLD**

Package dim.

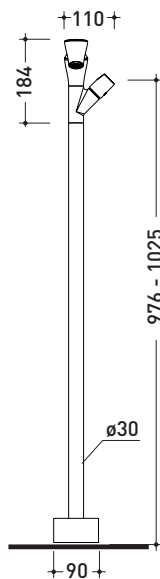
Weight **9 kg**

Pz. Pallet n° -

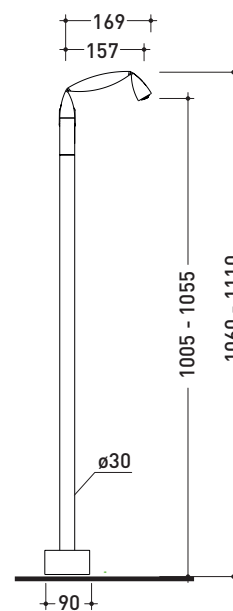
➔ **FLAMINIA.**



vista zenitale / zenital view



vista frontale / frontal view



vista laterale / lateral view

size in mm

april 2016

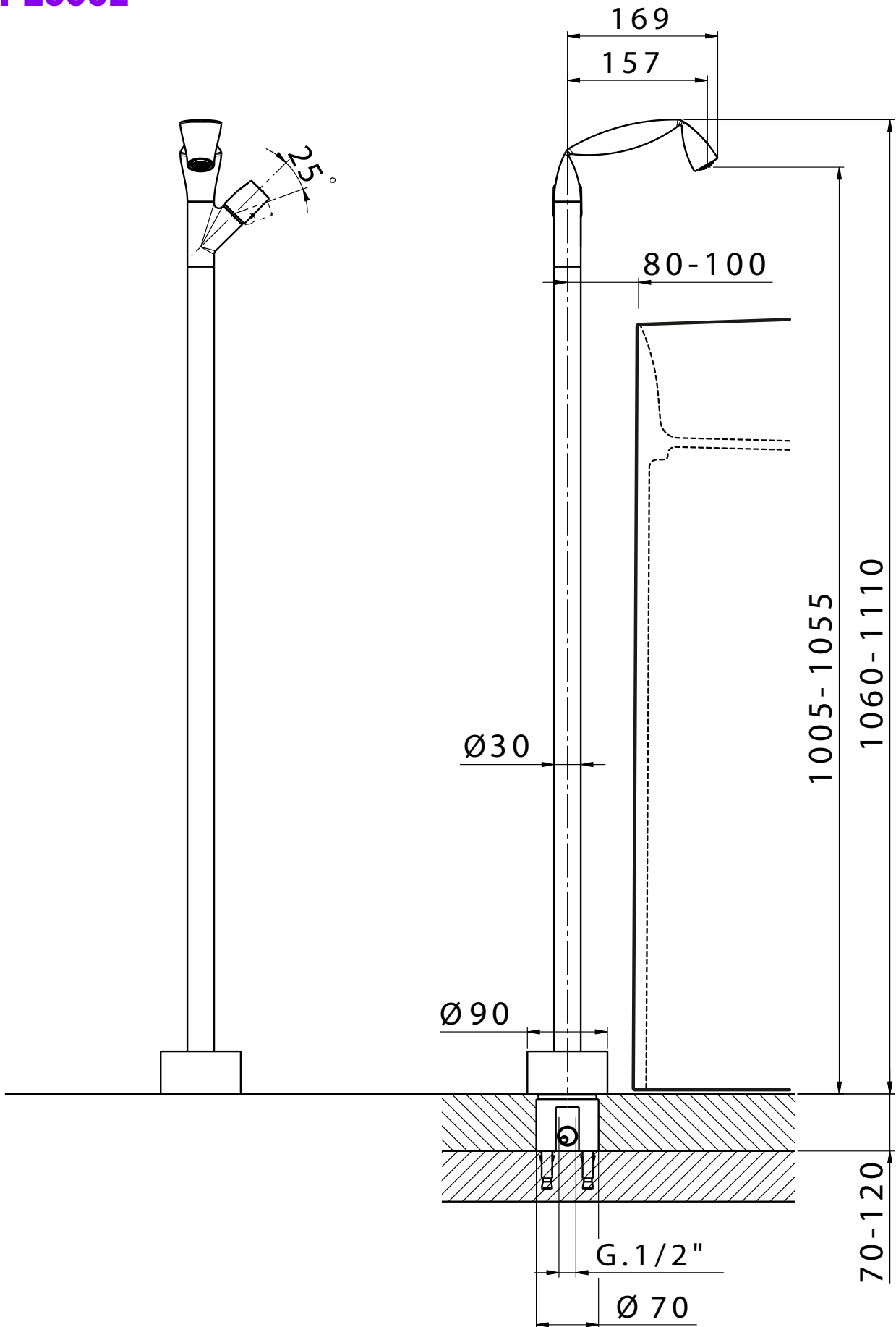
BRASS: glossy finish

Chrome



design LORENZO DAMIANI

art. **FL3052**



Fold

→ FLAMINIA.

design **LORENZO DAMIANI**

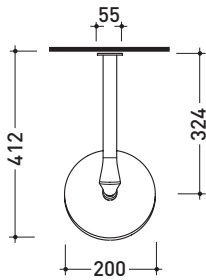
2013

FL2084

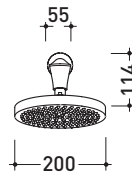
Wall-mounted overhead shower

Complements: **Line accessories FOLD**

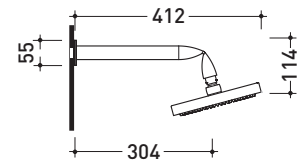
Package dim. **30 x 30 x 17 cm** | Weight **1,7 kg** | Pz. Pallet n° -



vista zenitale / zenital view



vista frontale / frontal view



vista laterale / lateral view

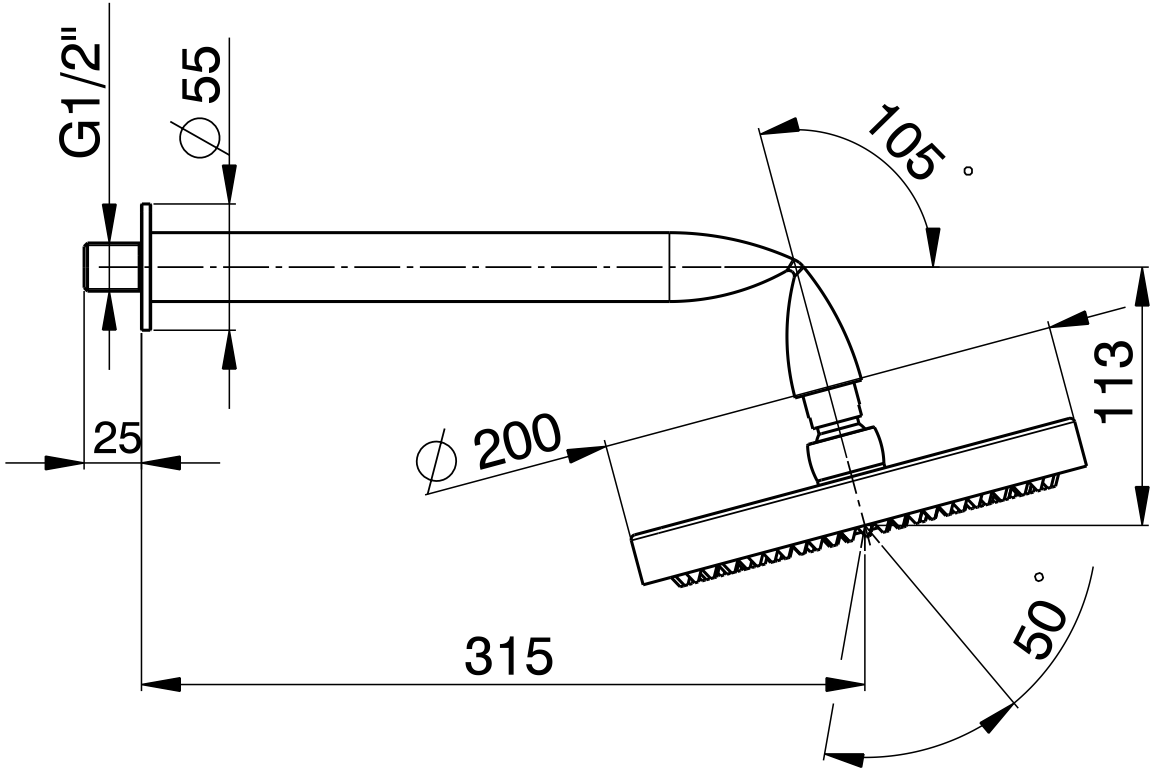
size in mm

april 2016

BRASS: glossy finish

Chrome





Fold

design **LORENZO DAMIANI**

2013

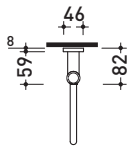
FL2561

Hand-shower with wall bracket

Complements: **Line accessories FOLD**

Package dim. **20 x 20 x 10 cm** | Weight **1 kg** | Pz. Pallet n° -

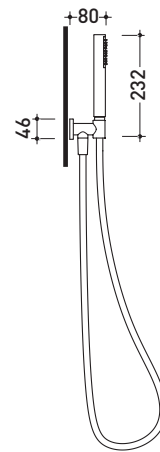
➔ **FLAMINIA.**



vista zenitale / zenital view



vista frontale / frontal view



vista laterale / lateral view

size in mm

april 2016

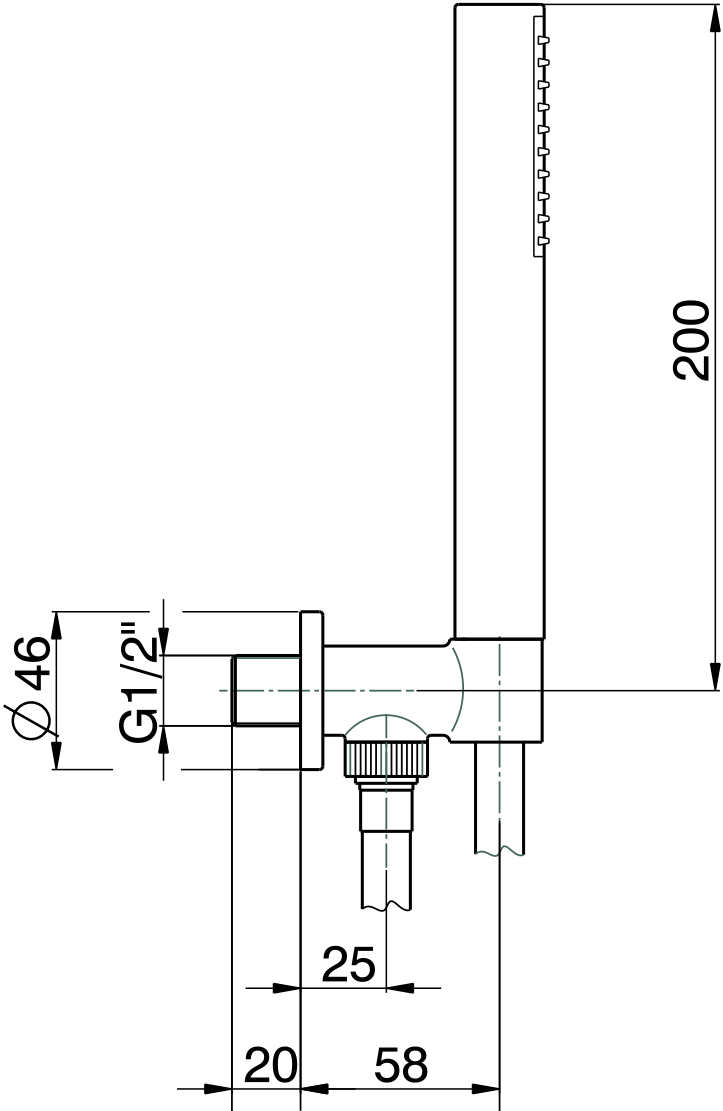
BRASS: glossy finish

Chrome



<http://www.ceramicaflaminia.it/en/products/289-fold>





Fold

design **LORENZO DAMIANI**

2013

➔ **FLAMINIA.**

FL2562

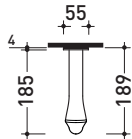
Wall spout

Complements: **Line accessories FOLD**

Package dim. **28 x 12 x 7 cm**

Weight **0,4 kg**

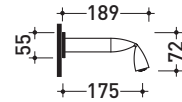
Pz. Pallet n° -



vista zenitale / zenital view



vista frontale / frontal view



vista laterale / lateral view

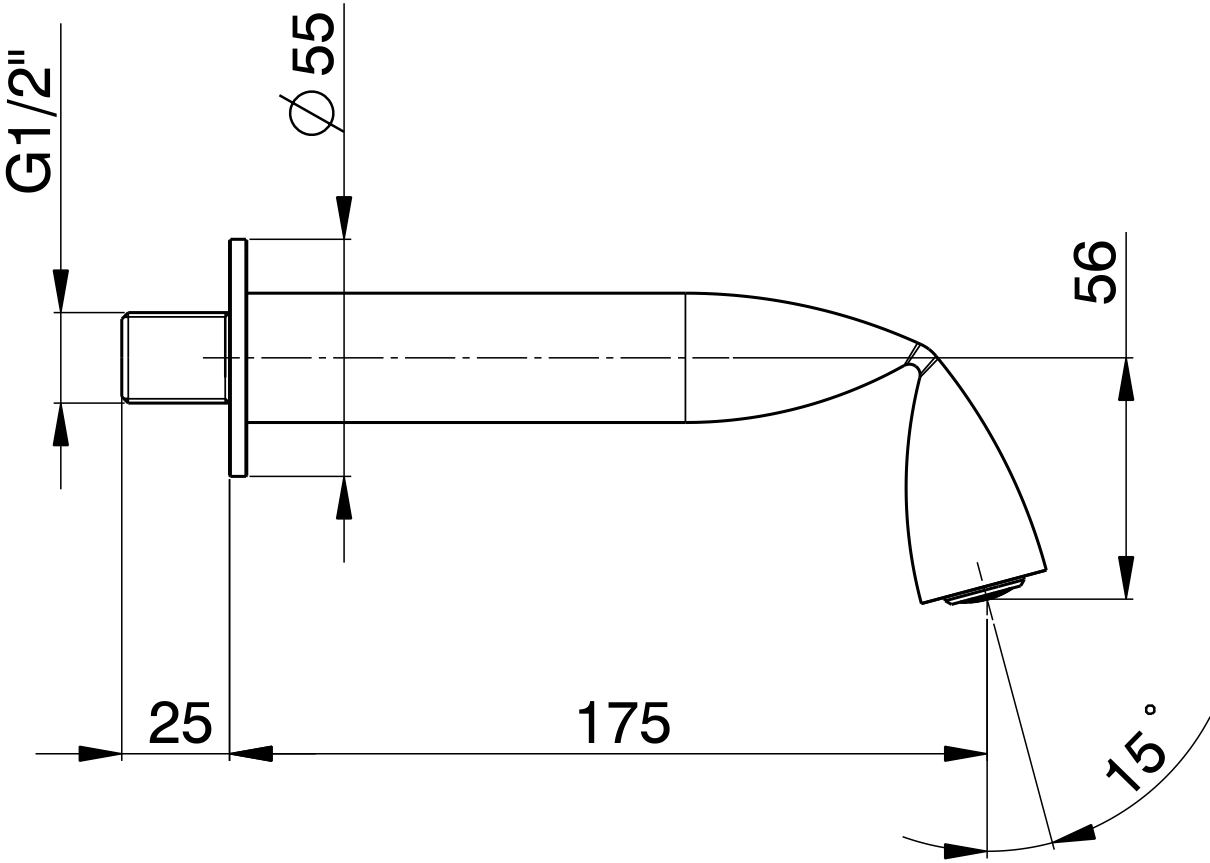
size in mm

april 2016

BRASS: glossy finish

Chrome





design **LORENZO DAMIANI**

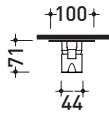
2013

FL2081

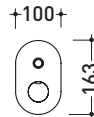
Shower mixer 2 outlets with diverter

Complements: **Line accessories FOLD**

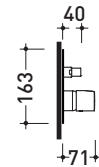
Package dim. **19 x 19 x 12 cm** | Weight **1,7 kg** | Pz. Pallet n° -



vista zenitale / zenital view



vista frontale / frontal view



vista laterale / lateral view

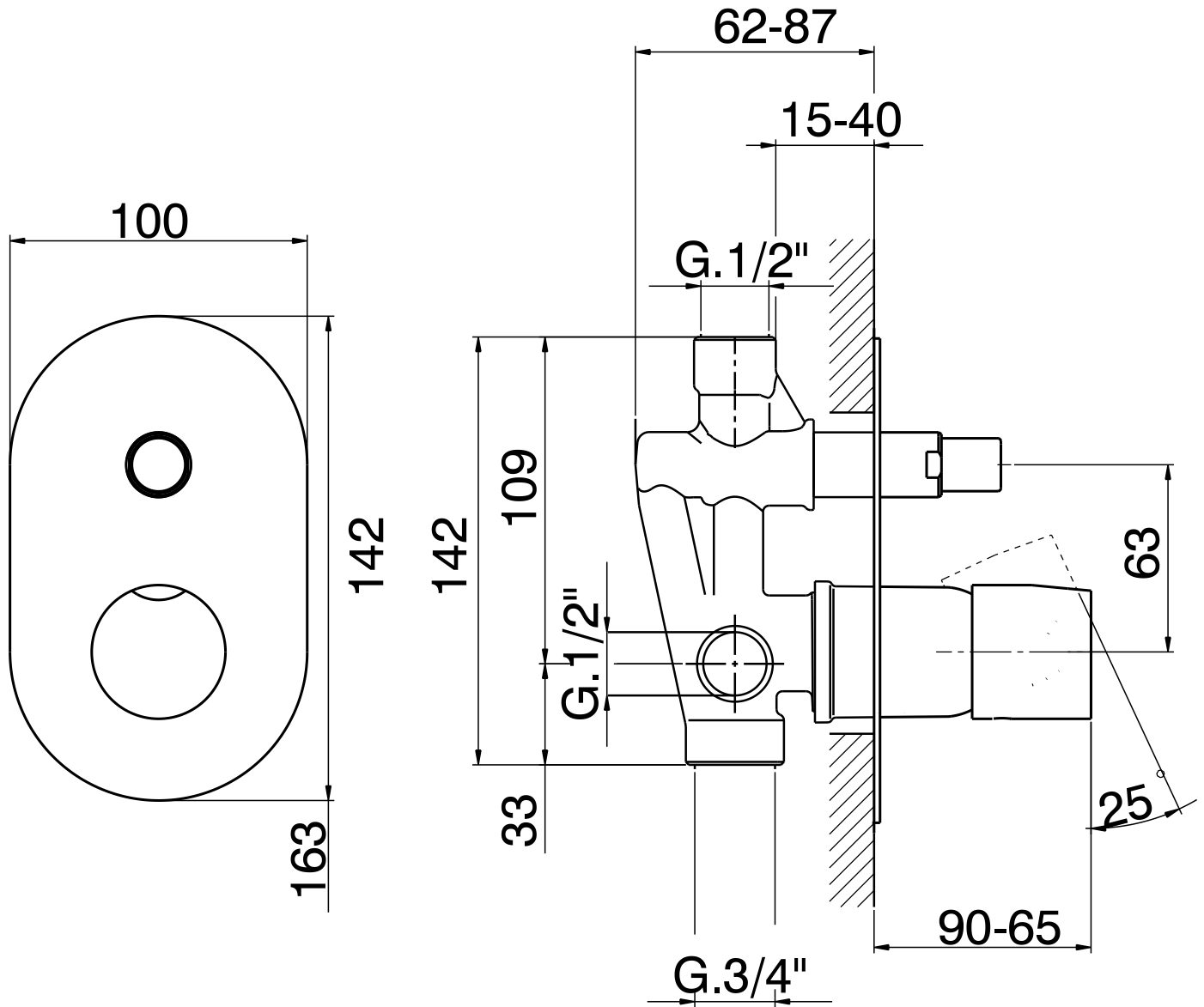
size in mm

april 2016

BRASS: glossy finish

Chrome





design **LORENZO DAMIANI**

2013

FL2550

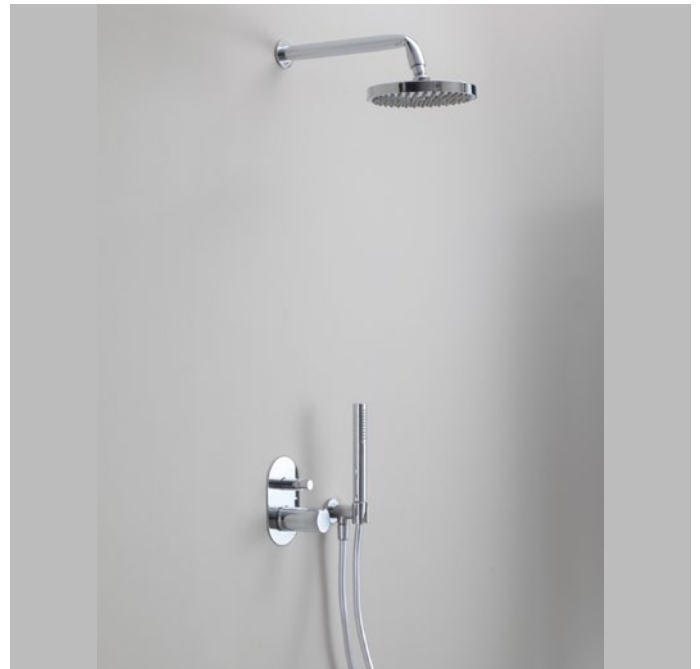
Complete shower set: concealed mixer with inverter, wall-mounted rain head and handshower

Complements: Line accessories FOLD

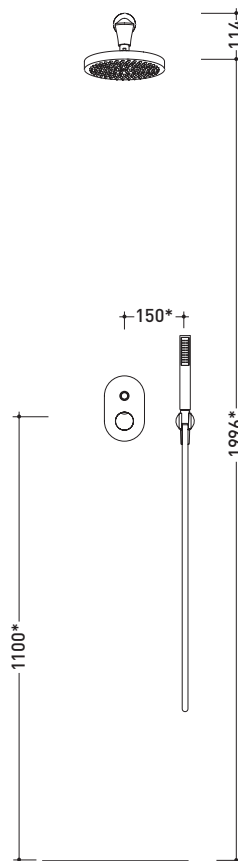
Package dim.

Weight **4,5 kg**

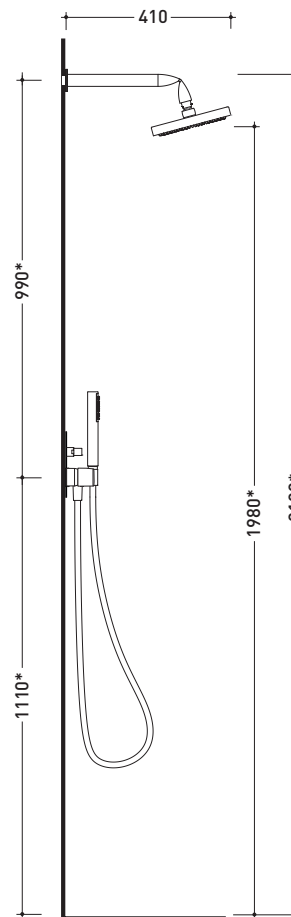
Pz. Pallet n° -



* misure consigliate / suggested measurements



vista frontale / frontal view



vista laterale / lateral view

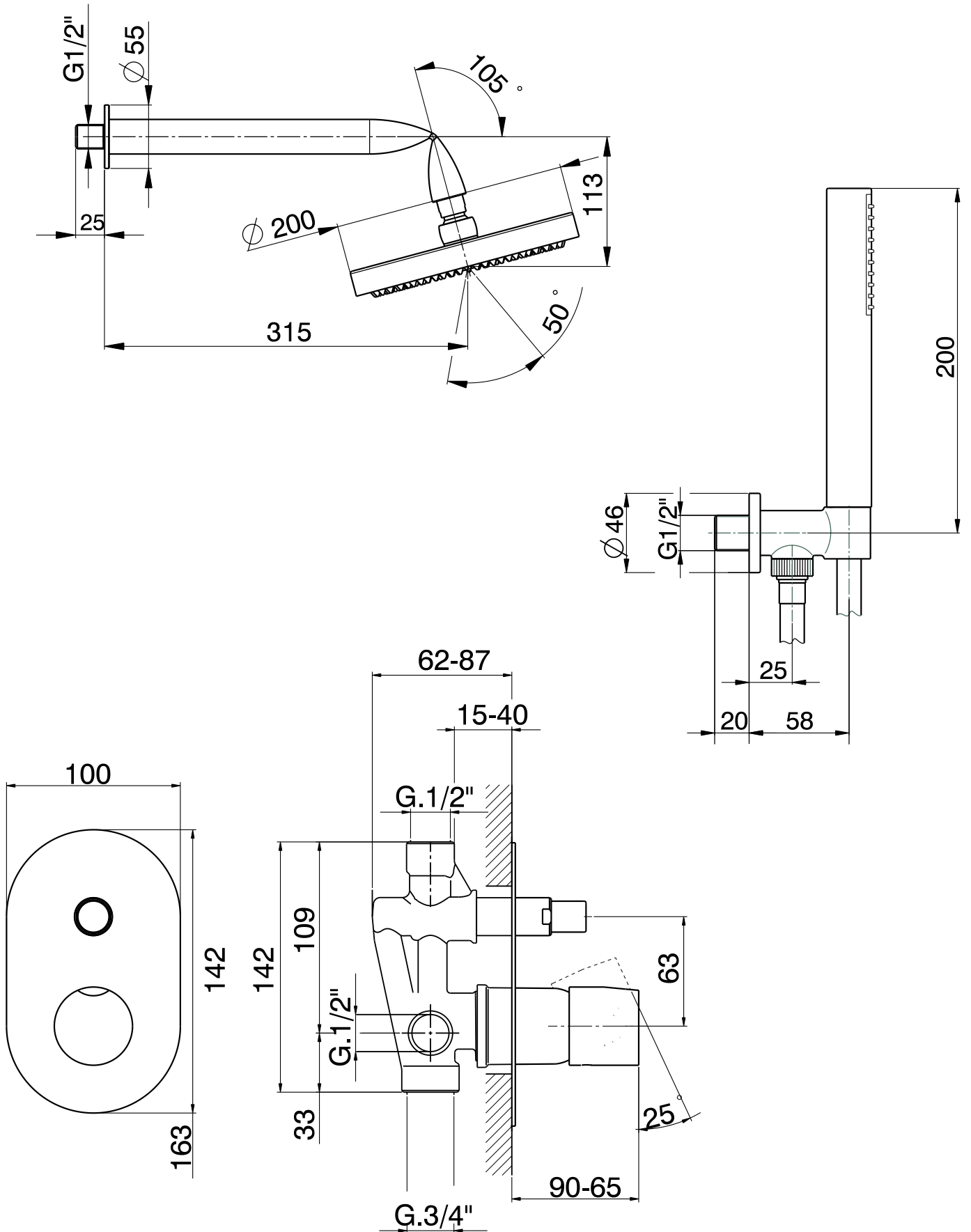
size in mm

april 2016

BRASS: glossy finish

Chrome





Fold

design **LORENZO DAMIANI**

2013

FL2580

Freestanding bath mixer with inverter and handshower

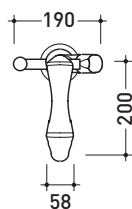
Complements: **Line accessories FOLD**

Package dim.

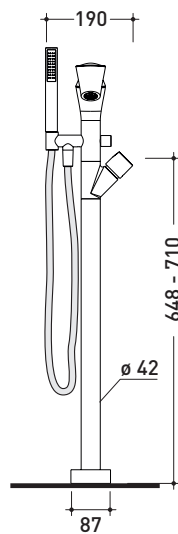
Weight **11,5 kg**

Pz. Pallet n° -

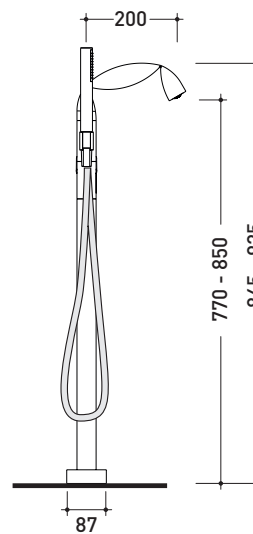
➔ **FLAMINIA.**



vista zenitale / zenital view



vista frontale / frontal view



vista laterale / lateral view

size in mm

april 2016

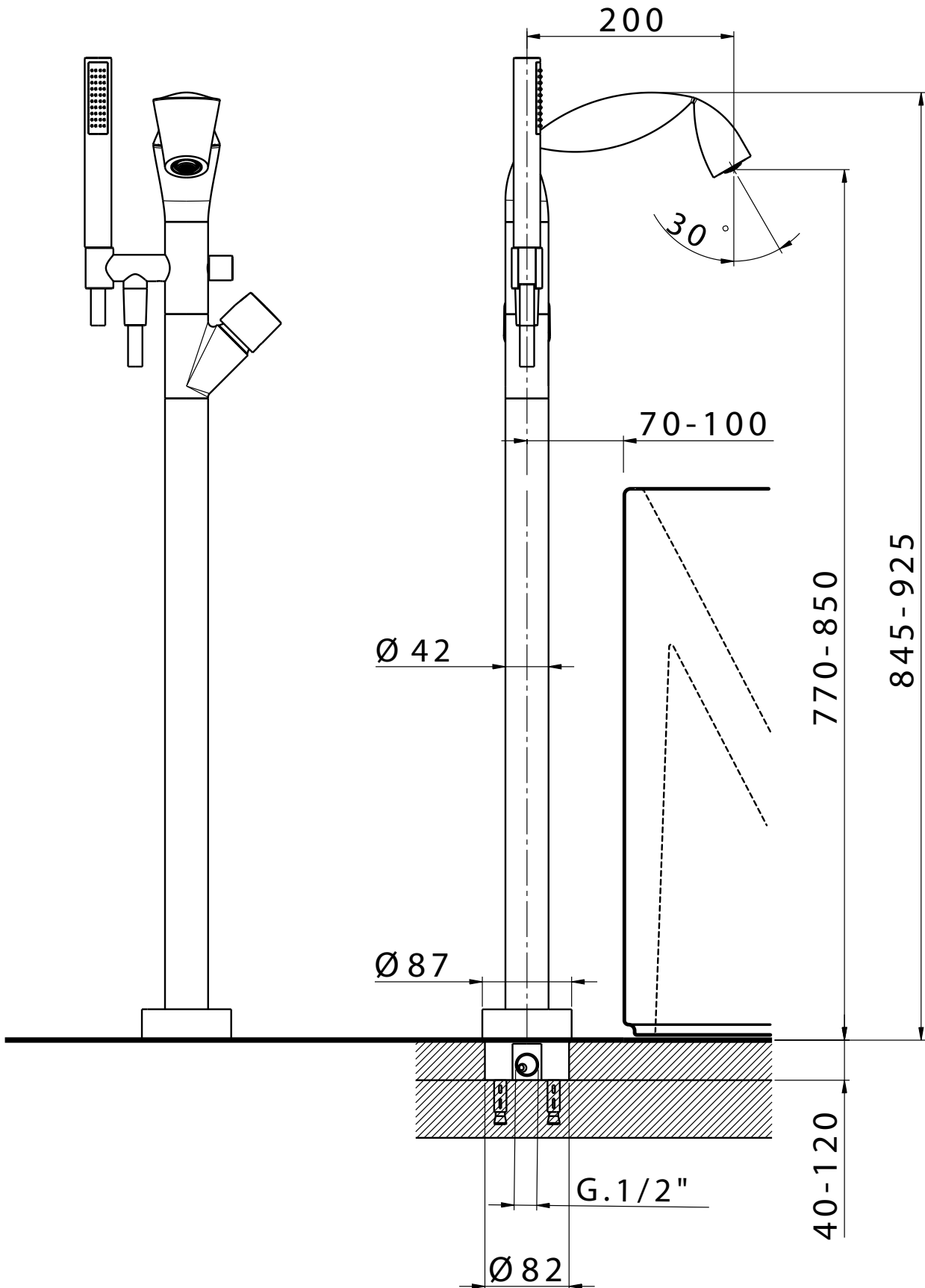
BRASS: glossy finish

Chrome



<http://www.ceramicaflaminia.it/en/products/289-fold>





design **LORENZO DAMIANI**

2013

FL2570

Complete bathtub set: mixer with inverter wall spout and handshower

Complements: **Line accessories** FOLD

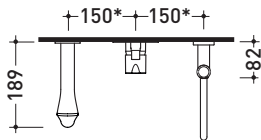
Package dim.

Weight **3,2 kg**

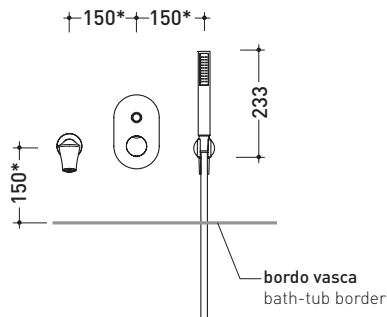
Pz. Pallet n° -



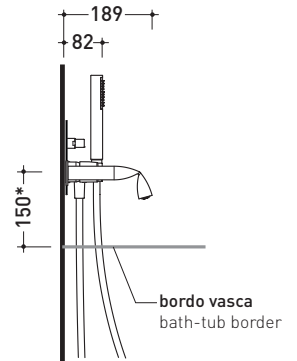
* misure consigliate / suggested measurements



vista zenitale / zenital view



vista frontale / frontal view



vista laterale / lateral view

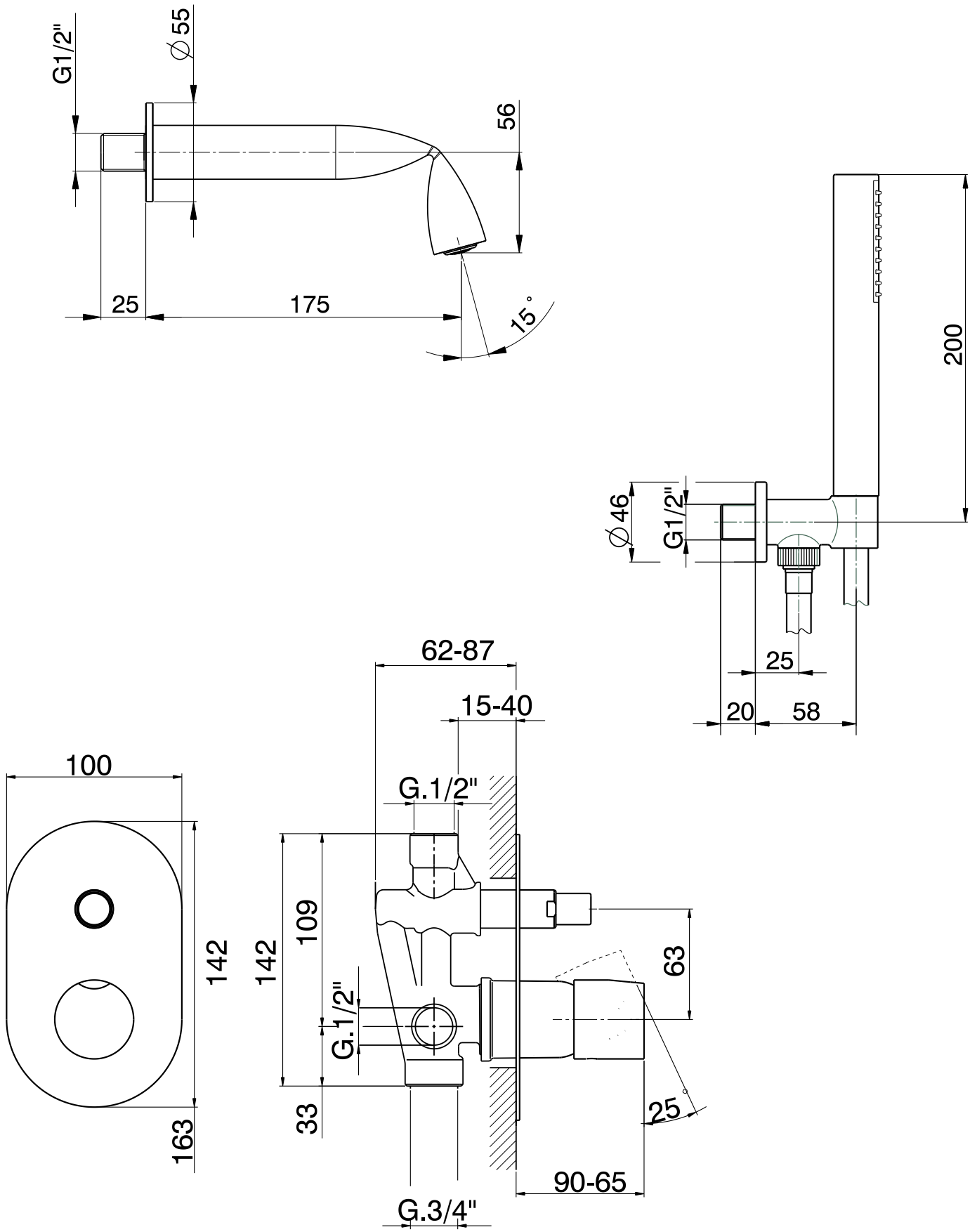
size in mm

april 2016

BRASS: glossy finish

Chrome





design **LORENZO DAMIANI**

2014

FL2560

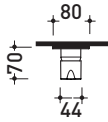
Concealed single-lever mixer

Complements: **Line accessories** FOLD

Package dim.

Weight **0,9 kg**

Pz. Pallet n° -



vista zenitale / zenital view



vista frontale / frontal view



vista laterale / lateral view

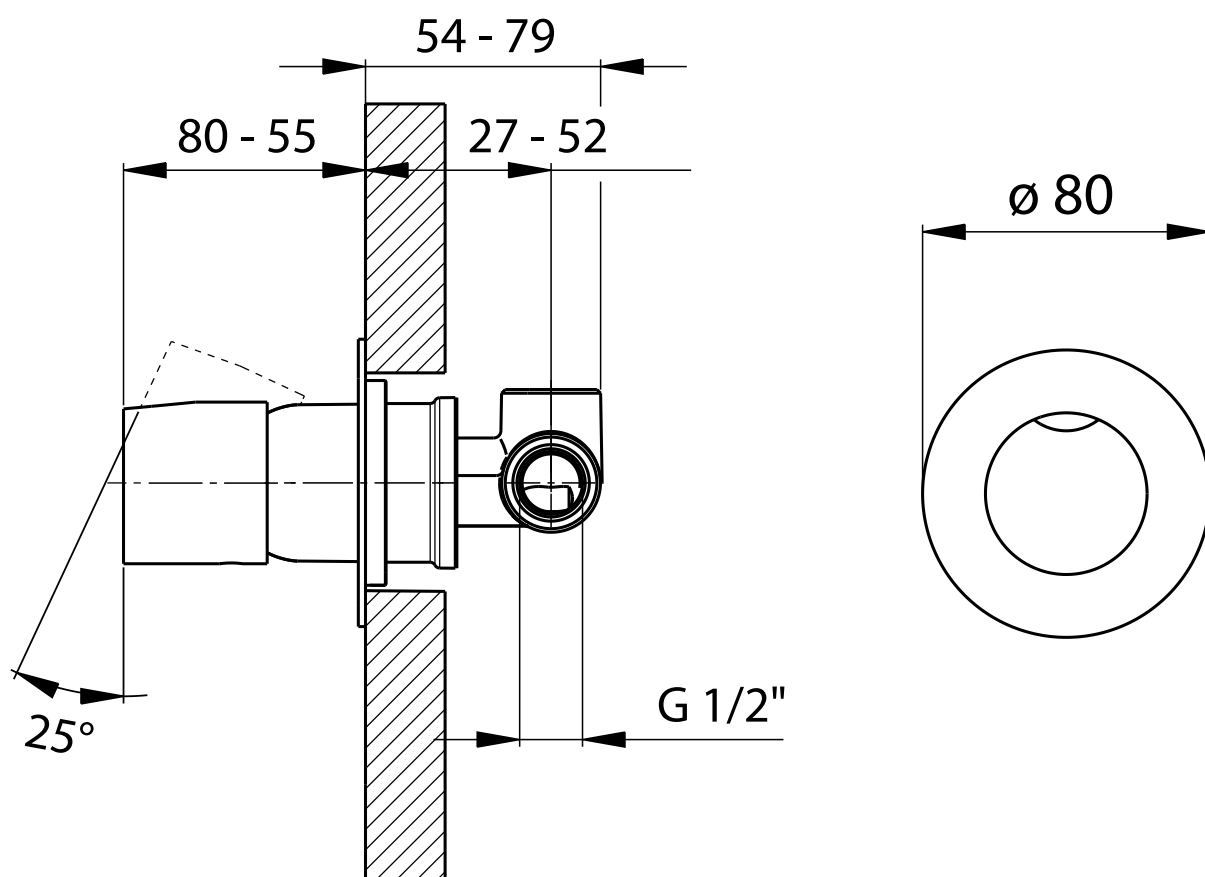
size in mm

april 2016

BRASS: glossy finish

Chrome





Fold

→ FLAMINIA.

design **LORENZO DAMIANI**

2013

FL3059

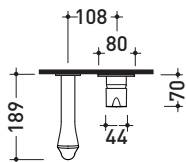
Concealed single-lever mixer with wall spout (stop&go drain included)

Complements: **Line accessories FOLD**

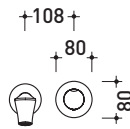
Package dim.

Weight **1,8 kg**

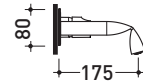
Pz. Pallet n° -



vista zenitale / zenital view



vista frontale / frontal view



vista laterale / lateral view

size in mm

april 2016

BRASS: glossy finish

Chrome



