

# Water Drop

➔ **FLAMINIA.**

design **LUCA CIMARRA**

2005

## DR80 Water Drop 80

Laid on or built-in in the floor shower tray 80x80 cm  
(ø 90mm drainage system not included)

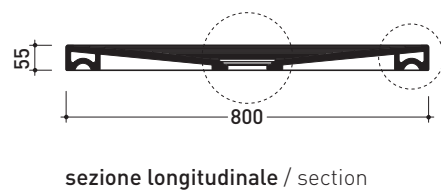
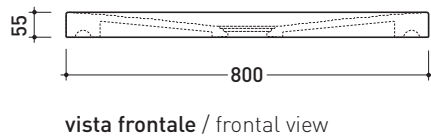
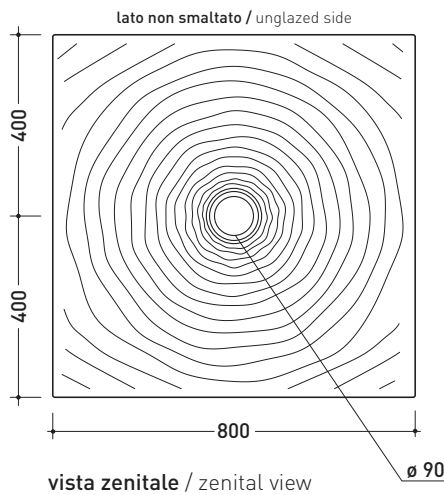
Complements: **BAMB00 composable shower box**  
Line taps shower: ONE - NOKÉ - SI - FOLD - X1  
Line accessories: TWO - HOOP - NOKÉ - FOLD

Technical accessories: drainage system with **CHROME** cover ø 90mm (PLFR)  
drainage system with **CERAMIC** cover ø 90mm (PLFC)

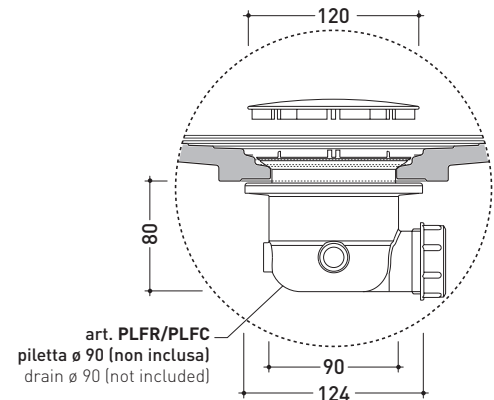
Package dim. **80,5 x 55 x 83 cm** | Weight **33 kg** | Pz. Pallet n° **10**



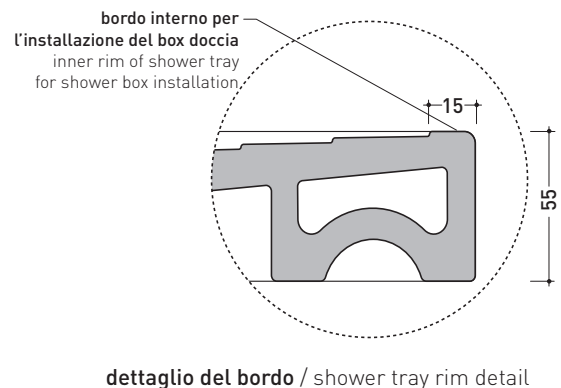
CE UNI EN 14527 Dop-No14527



### PILETTA CONSIGLIATA / SUGGESTED DRAIN



Piletta sifonata / Drainage  
Portata / Flow rate: **0,52 l/sec** (EN 274 >0,4 l/sec)



sizes in mm

Please consider a 2% tolerance on indicated measurements

**CERAMIC:** glossy finish



matt finish



<http://www.ceramicaflaminia.it/en/products/329-water-drop>

©ceramicaflaminiaspa - All rights reserved. Unauthorized copying, publication, reproduction as well as partial reproduction are prohibited

may 2019



# Water Drop

➔ **FLAMINIA.**

design **LUCA CIMARRA**

2005

## DR8010 Water Drop 100x80

Laid on or built-in in the floor shower tray 80x100 cm  
(ø 90mm drainage system not included)

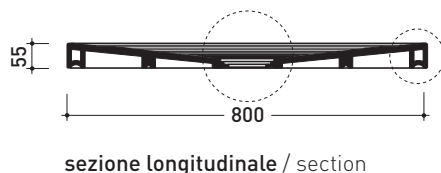
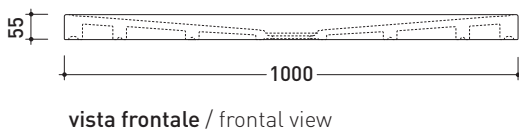
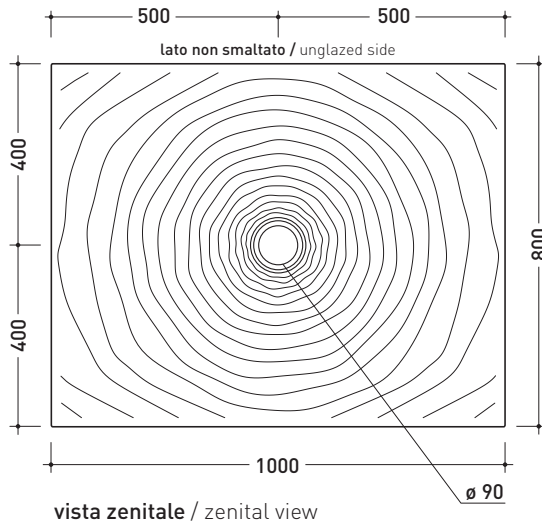
Complements: **BAMB00 composable shower box**  
Line taps shower: ONE - NOKÉ - SI - FOLD - X1  
Line accessories: TWO - HOOP - NOKÉ - FOLD

Technical accessories: drainage system with **CHROME** cover ø 90mm (PLFR)  
drainage system with **CERAMIC** cover ø 90mm (PLFC)

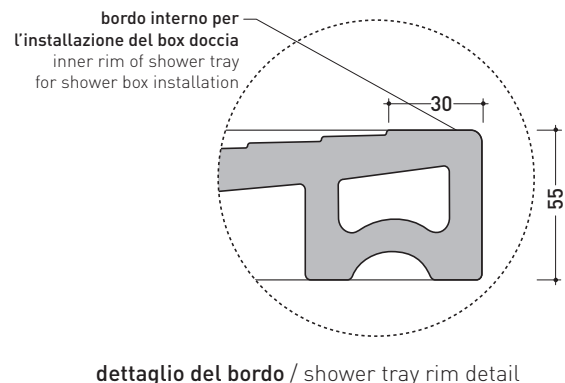
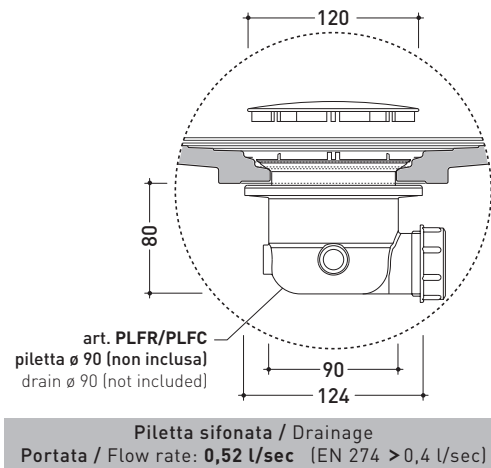
Dim. Imballo                      Peso                      Pz. Pallet n°



CE UNI EN 14527      Dop-No14527



### PILETTA CONSIGLIATA / SUGGESTED DRAIN



sizes in mm

Please consider a 2% tolerance on indicated measurements

**CERAMIC:** glossy finish



matt finish



<http://www.ceramicaflaminia.it/it/products/329-water-drop>

©ceramicaflaminiaspa - All rights reserved. Unauthorized copying, publication, reproduction as well as partial reproduction are prohibited

may 2019



# Water Drop

➔ **FLAMINIA.**

design **LUCA CIMARRA**

2005

## DR120 Water Drop 120

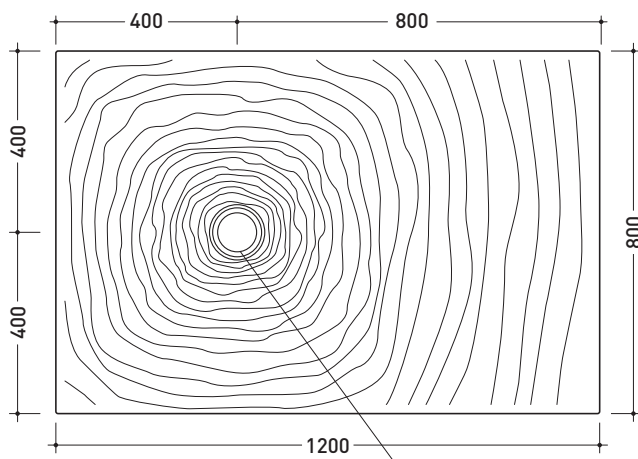
Laid on or built-in in the floor reversible shower tray 120x80 cm  
(ø 90mm drainage system not included)

Complements: **BAMB00 composable shower box**  
Line taps shower: ONE - NOKÉ - SI - FOLD - X1  
Line accessories: TWO - HOOP - NOKÉ - FOLD

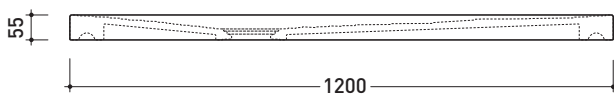
Technical accessories: drainage system with **CHROME** cover ø 90mm (PLFR)  
drainage system with **CERAMIC** cover ø 90mm (PLFC)

Package dim. 120,5 x 55 x 83 cm | Weight 50 kg | Pz. Pallet n° 10

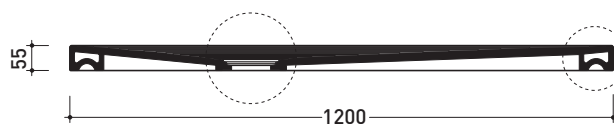
CE UNI EN 14527 Dop-No14527



vista zenitale / zenital view

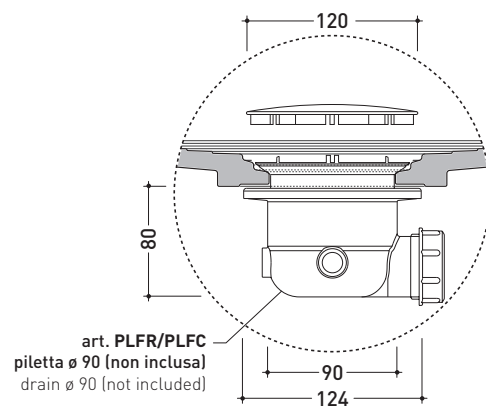


vista frontale / frontal view



sezione longitudinale / section

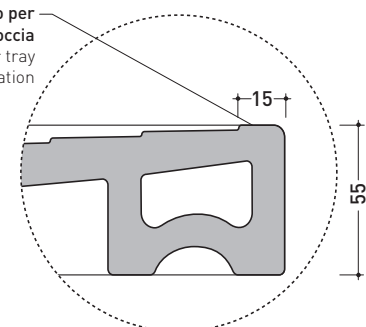
### PILETTA CONSIGLIATA / SUGGESTED DRAIN



art. PLFR/PLFC  
piletta ø 90 (non inclusa)  
drain ø 90 (not included)

Piletta sifonata / Drainage  
Portata / Flow rate: 0,52 l/sec (EN 274 > 0,4 l/sec)

bordo interno per  
l'installazione del box doccia  
inner rim of shower tray  
for shower box installation



dettaglio del bordo / shower tray rim detail

sizes in mm

Please consider a 2% tolerance on indicated measurements

**CERAMIC:** glossy finish



matt finish



<http://www.ceramicaflaminia.it/en/products/329-water-drop>

©ceramicaflaminiaspa - All rights reserved. Unauthorized copying, publication, reproduction as well as partial reproduction are prohibited

may 2019



# Water Drop

➔ **FLAMINIA.**

design **LUCA CIMARRA**

2016

## DR140 Water Drop 140x80

Laid on or built-in in the floor shower tray 140x80 cm  
(ø 90mm drainage system not included)

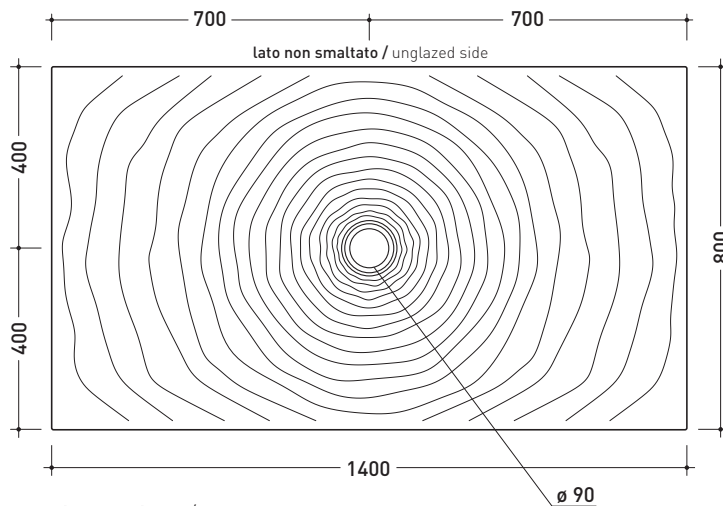
Complements: **BAMB00 composable shower box**  
Line taps shower: ONE - NOKÉ - SI - FOLD - X1  
Line accessories: TWO - HOOP - NOKÉ - FOLD

Technical accessories: drainage system with **CHROME** cover ø 90mm (PLFR)  
drainage system with **CERAMIC** cover ø 90mm (PLFC)

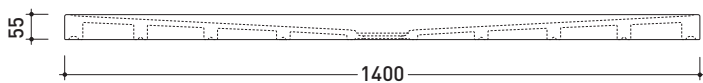
Package dim. | Weight **53 kg** | Pz. Pallet n°



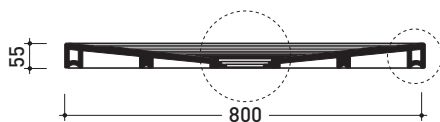
CE UNI EN 14527 Dop-No14527



vista zenitale / zenital view

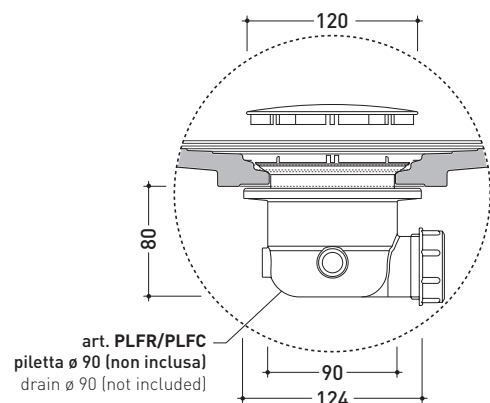


vista frontale / frontal view

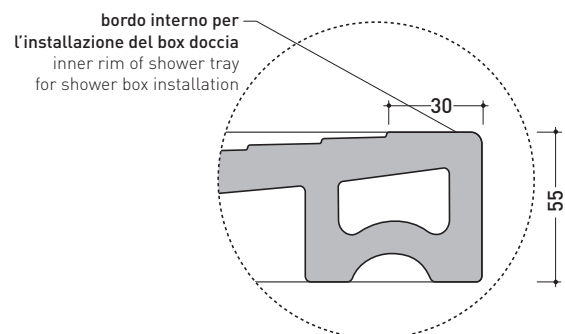


sezione longitudinale / section

### PILETTA CONSIGLIATA / SUGGESTED DRAIN



Piletta sifonata / Drainage  
Portata / Flow rate: **0,52 l/sec** (EN 274 >0,4 l/sec)



dettaglio del bordo / shower tray rim detail

sizes in mm

Please consider a 2% tolerance on indicated measurements

**CERAMIC:** glossy finish



matt finish



<http://www.ceramicaflaminia.it/en/products/329-water-drop>

©ceramicaflaminiaspa - All rights reserved. Unauthorized copying, publication, reproduction as well as partial reproduction are prohibited

may 2019



# Water Drop

➔ **FLAMINIA.**

design **LUCA CIMARRA**

2016

## DR8016 Water Drop 160x80

Laid on or built-in in the floor shower tray 160x80 cm  
(ø 90mm drainage system not included)

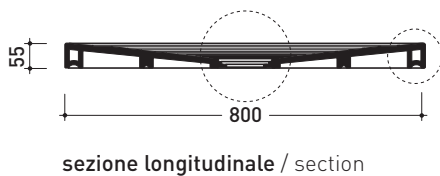
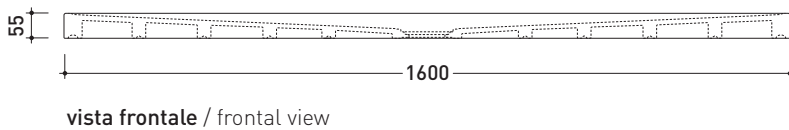
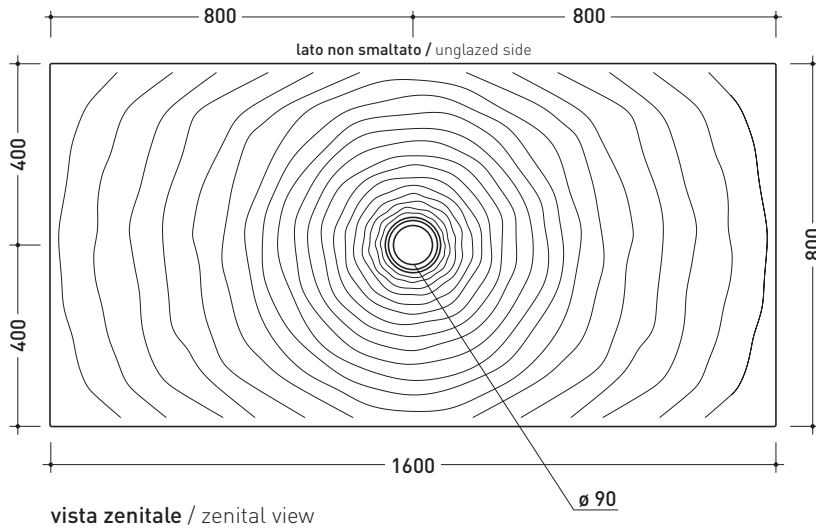
Complements: **BAMB00 composable shower box**  
Line taps shower: ONE - NOKÉ - SI - FOLD - X1  
Line accessories: TWO - HOOP - NOKÉ - FOLD

Technical accessories: drainage system with **CHROME** cover ø 90mm (PLFR)  
drainage system with **CERAMIC** cover ø 90mm (PLFC)

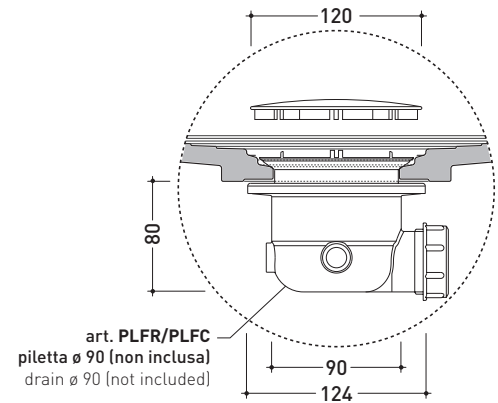
Package dim. | Weight **60,5 kg** | Pz. Pallet n°



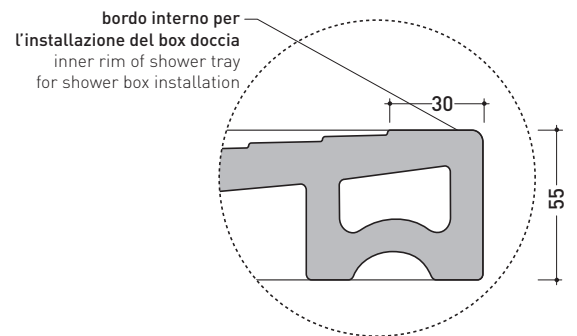
CE UNI EN 14527 Dop-No14527



### PILETTA CONSIGLIATA / SUGGESTED DRAIN



Piletta sifonata / Drainage  
Portata / Flow rate: **0,52 l/sec** (EN 274 >0,4 l/sec)



sizes in mm

Please consider a 2% tolerance on indicated measurements

**CERAMIC:** glossy finish



matt finish



<http://www.ceramicaflaminia.it/en/products/329-water-drop>

©ceramicaflaminiaspa - All rights reserved. Unauthorized copying, publication, reproduction as well as partial reproduction are prohibited

may 2019



# Water Drop

➔ **FLAMINIA.**

design **LUCA CIMARRA**

2016

## DR90 Water Drop 90x72

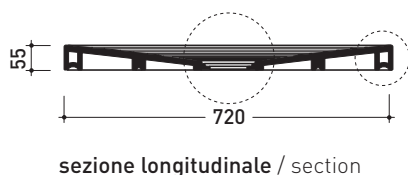
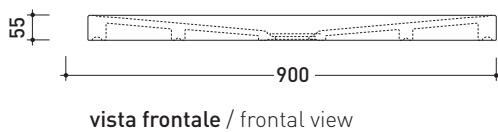
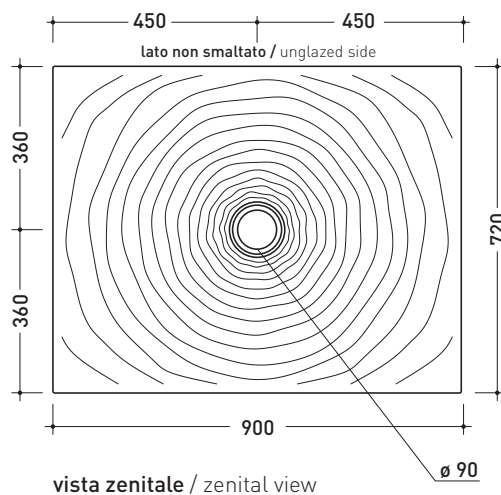
Laid on or built-in in the floor shower tray 90x72 cm  
(ø 90mm drainage system not included)

Complements: **BAMB00 composable shower box**  
Line taps shower: ONE - NOKÉ - SI - FOLD - X1  
Line accessories: TWO - HOOP - NOKÉ - FOLD

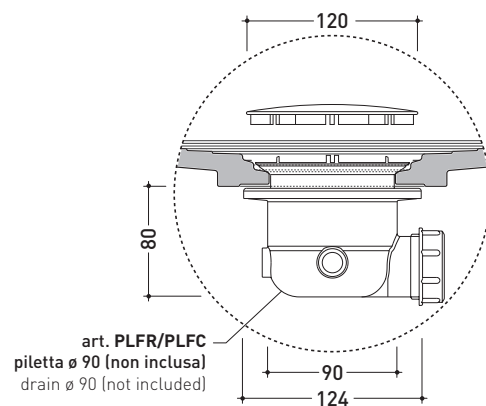
Technical accessories: drainage system with **CHROME** cover ø 90mm (PLFR)  
drainage system with **CERAMIC** cover ø 90mm (PLFC)

Package dim. | Weight **31 kg** | Pz. Pallet n° **10**

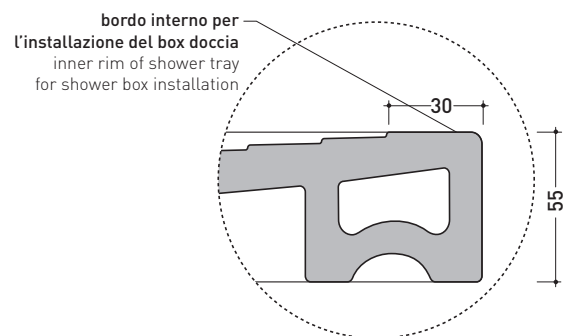
CE UNI EN 14527 Dop-No14527



### PILETTA CONSIGLIATA / SUGGESTED DRAIN



Piletta sifonata / Drainage  
Portata / Flow rate: **0,52 l/sec** (EN 274 > 0,4 l/sec)



sizes in mm

Please consider a 2% tolerance on indicated measurements

**CERAMIC:** glossy finish



matt finish



<http://www.ceramicaflaminia.it/en/products/329-water-drop>

©ceramicaflaminiaspa - All rights reserved. Unauthorized copying, publication, reproduction as well as partial reproduction are prohibited

may 2019



# Water Drop

➔ **FLAMINIA.**

design **LUCA CIMARRA**

2016

## DR100 Water Drop100x70

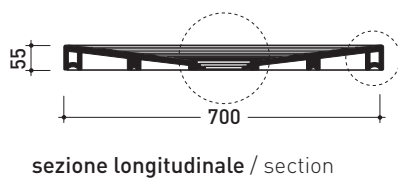
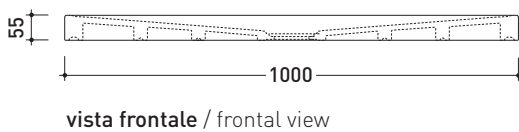
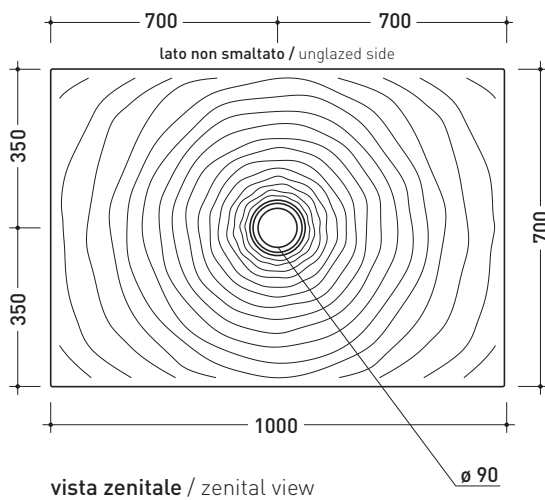
Laid on or built-in in the floor shower tray 100x70 cm  
(ø 90mm drainage system not included)

Complements: **BAMB00 composable shower box**  
**Line taps shower: ONE - NOKÉ - SI - FOLD - X1**  
**Line accessories: TWO - HOOP - NOKÉ - FOLD**

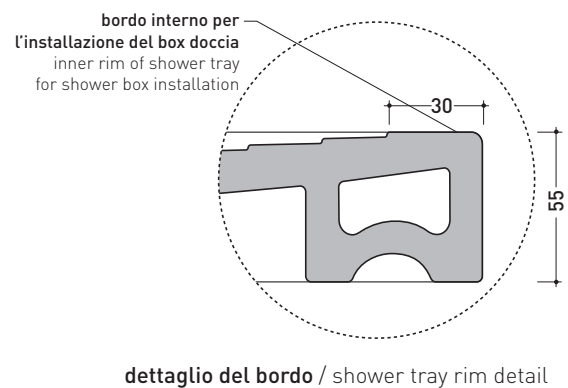
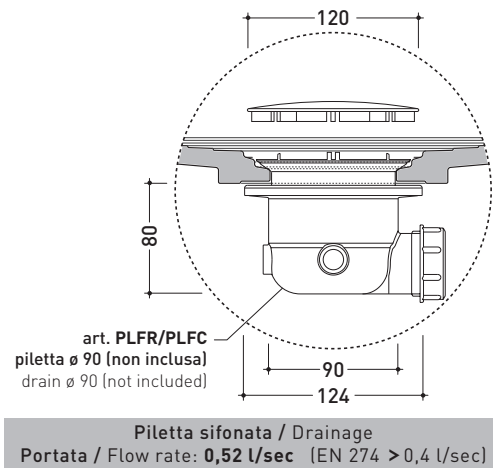
Technical accessories: **drainage system with CHROME cover ø 90mm (PLFR)**  
**drainage system with CERAMIC cover ø 90mm (PLFC)**

Package dim. | Weight **32,2 kg** | Pz. Pallet n° **10**

CE UNI EN 14527 Dop-No14527



### PILETTA CONSIGLIATA / SUGGESTED DRAIN



sizes in mm

Please consider a 2% tolerance on indicated measurements

**CERAMIC:** glossy finish



matt finish



<http://www.ceramicaflaminia.it/en/products/329-water-drop>

©ceramicaflaminiaspa - All rights reserved. Unauthorized copying, publication, reproduction as well as partial reproduction are prohibited

may 2019





# Water Drop

➔ **FLAMINIA.**

design **LUCA CIMARRA**

2016

## DR70 Water Drop 140x70

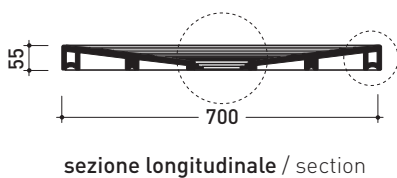
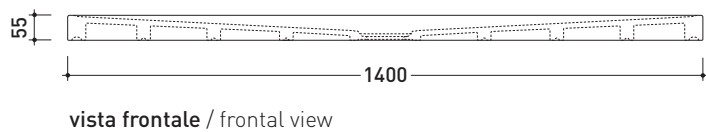
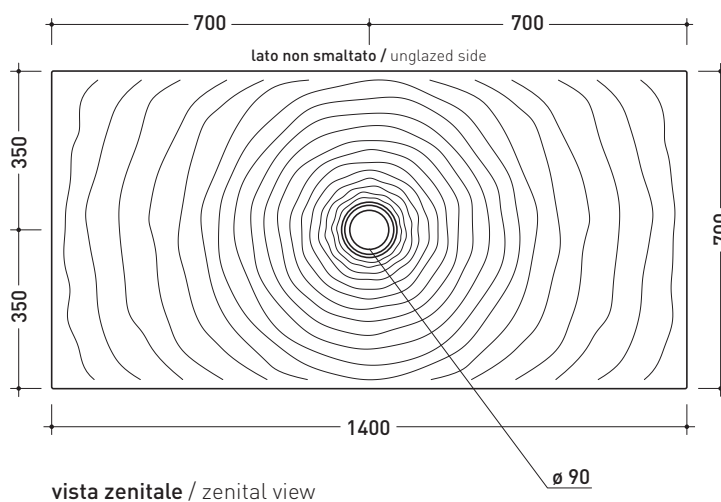
Laid on or built-in in the floor shower tray 140x70 cm  
(ø 90mm drainage system not included)

Complements: **BAMB00 composable shower box**  
Line taps shower: ONE - NOKÉ - SI - FOLD - X1  
Line accessories: TWO - HOOP - NOKÉ - FOLD

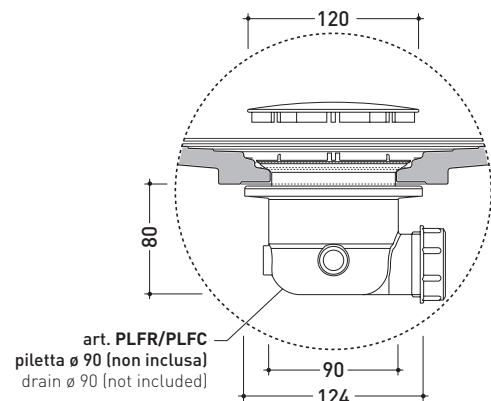
Technical accessories: drainage system with **CHROME** cover ø 90mm (PLFR)  
drainage system with **CERAMIC** cover ø 90mm (PLFC)

Package dim. | Weight **45,5 kg** | Pz. Pallet n°

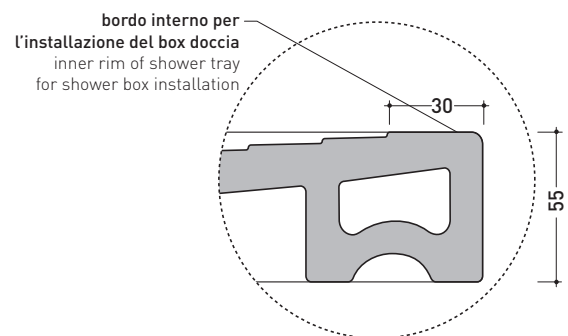
CE UNI EN 14527 Dop-No14527



### PILETTA CONSIGLIATA / SUGGESTED DRAIN



Piletta sifonata / Drainage  
Portata / Flow rate: **0,52 l/sec** (EN 274 >0,4 l/sec)



sizes in mm

Please consider a 2% tolerance on indicated measurements

**CERAMIC:** glossy finish



matt finish



<http://www.ceramicaflaminia.it/en/products/329-water-drop>

©ceramicaflaminiaspa - All rights reserved. Unauthorized copying, publication, reproduction as well as partial reproduction are prohibited

may 2019





# Water Drop

➔ **FLAMINIA.**

design **LUCA CIMARRA**

2016

## DR7016 Water Drop 160x70

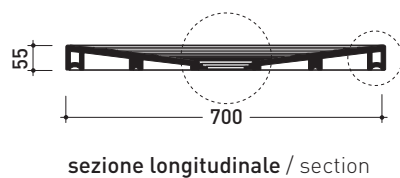
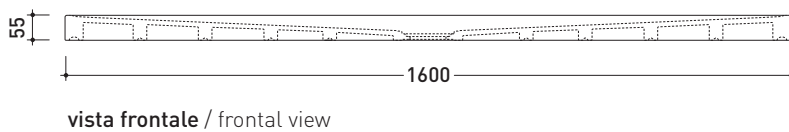
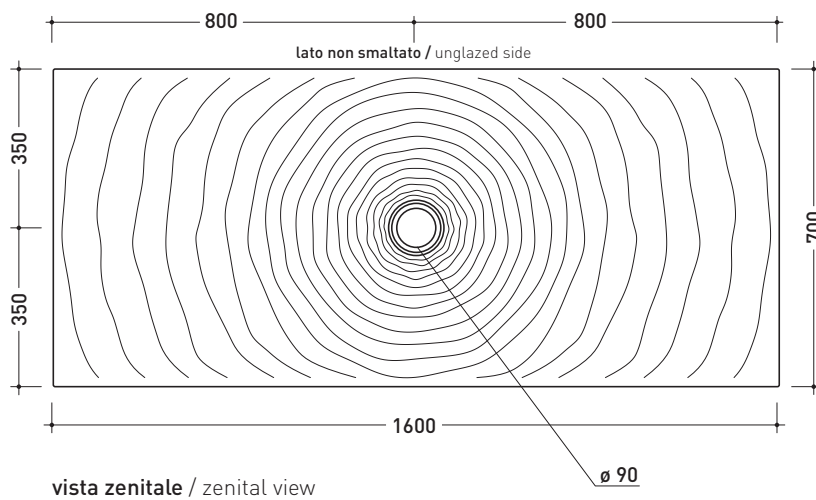
Laid on or built-in in the floor shower tray 160x70 cm  
(ø 90mm drainage system not included)

Complements: **BAMB00 composable shower box**  
Line taps shower: ONE - NOKÉ - SI - FOLD - X1  
Line accessories: TWO - HOOP - NOKÉ - FOLD

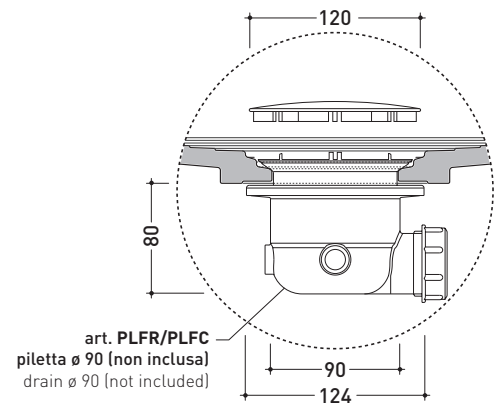
Technical accessories: drainage system with **CHROME** cover ø 90mm (PLFR)  
drainage system with **CERAMIC** cover ø 90mm (PLFC)

Package dim. | Weight **52,5 kg** | Pz. Pallet n°

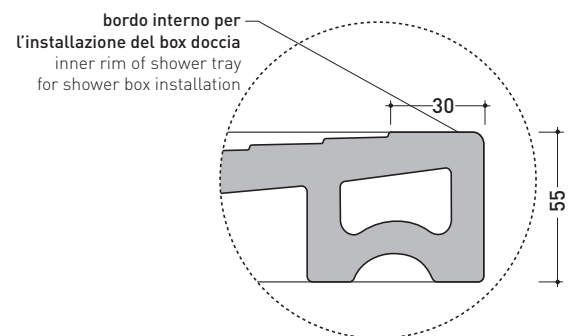
CE UNI EN 14527 Dop-No14527



### PILETTA CONSIGLIATA / SUGGESTED DRAIN



Piletta sifonata / Drainage  
Portata / Flow rate: **0,52 l/sec** (EN 274 >0,4 l/sec)



dettaglio del bordo / shower tray rim detail

sizes in mm

Please consider a 2% tolerance on indicated measurements

**CERAMIC:** glossy finish



matt finish



<http://www.ceramicaflaminia.it/en/products/329-water-drop>

©ceramicaflaminiaspa - All rights reserved. Unauthorized copying, publication, reproduction as well as partial reproduction are prohibited

may 2019



# Drainage system

→ **FLAMINIA.**

## PLFR

Drainage system with CHROME cover (ø 90 mm)

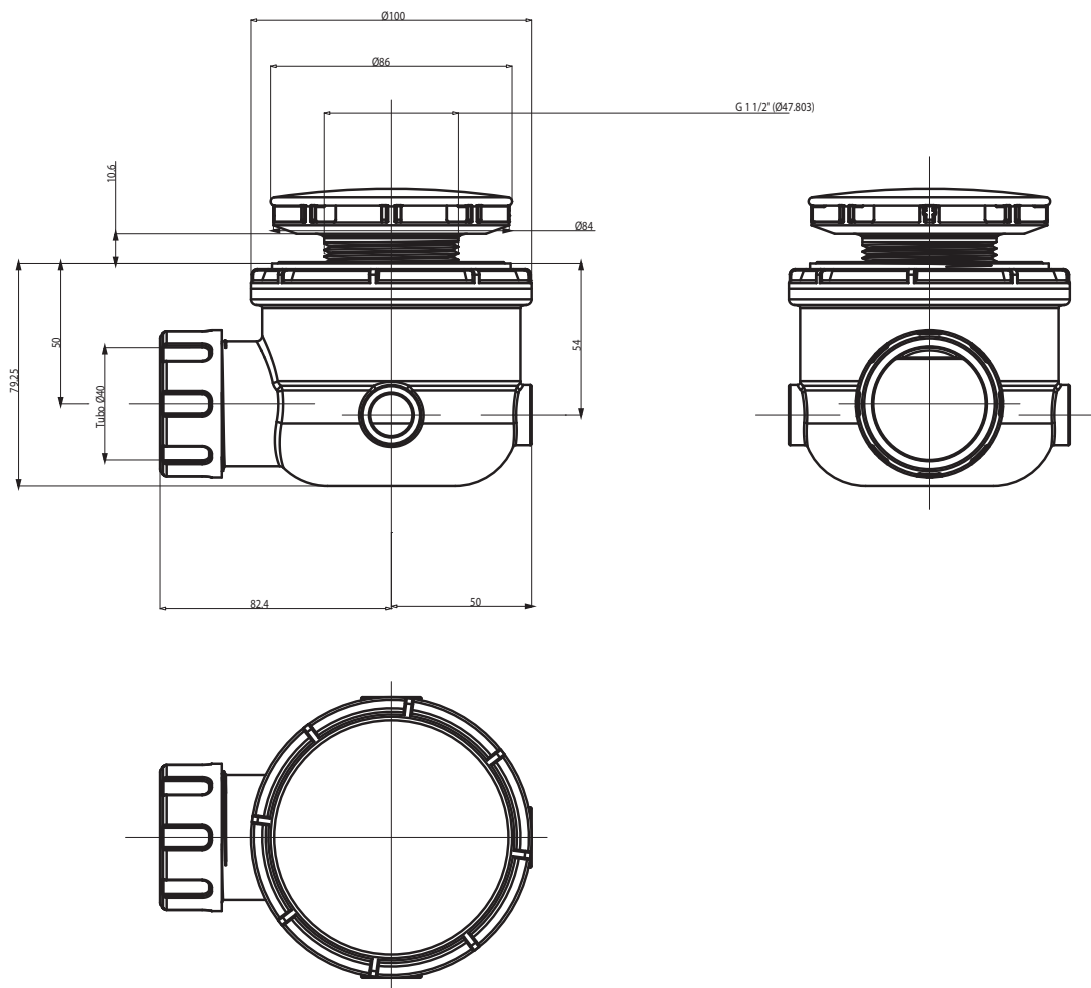
Package dim.

Weight **0,5 kg**

Pz. Pallet n° -



CE



sizes in mm

ABS: glossy finish



chrome

<http://www.ceramicaflaminia.it/en>

©ceramicaflaminiaspa - All rights reserved. Unauthorized copying, publication, reproduction as well as partial reproduction are prohibited

may 2019



# Drainage system

➔ **FLAMINIA.**

## PLFC

Drainage system with CERAMIC cover (ø 90 mm)

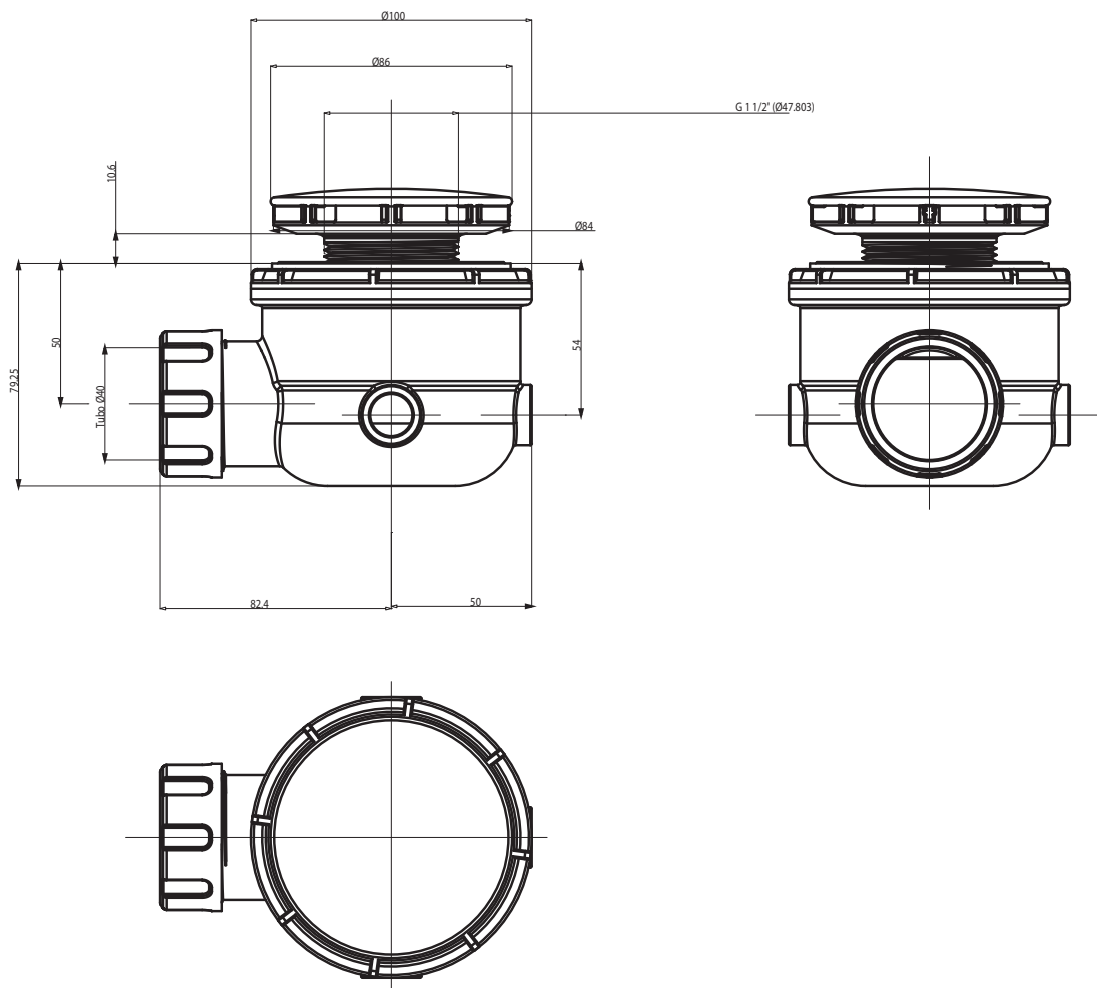
Package dim.

Weight **0,7 kg**

Pz. Pallet n° -



CE



sizes in mm

CERAMIC: glossy finish



matt finish



<http://www.ceramicaflaminia.it/en>

©ceramicaflaminiaspa - All rights reserved. Unauthorized copying, publication, reproduction as well as partial reproduction are prohibited

may 2019

