

Si

→ FLAMINIA.

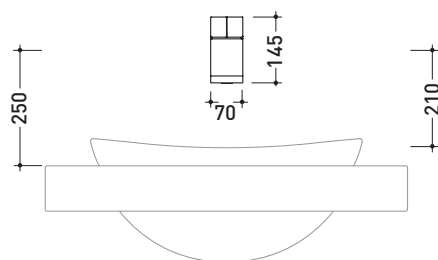
design **ALEXANDER DURINGER** and **STEFANO ROSINI** 2005

SI2042U Si Up

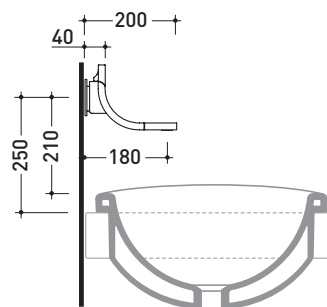
Wall-mounted dual controls basin mixer
(stop&go drain included)

Complements: **Line accessories TWO**
Line accessories HOOP

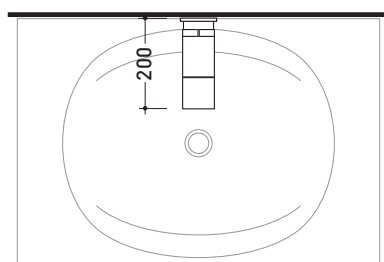
Package dim. **40 x 26 x 14 cm** | Weight **3,5 kg** | Pz. Pallet n° -



vista frontale / frontal view



vista laterale / lateral view



vista zenitale / zenital view

sizes in mm

BRASS: glossy finish



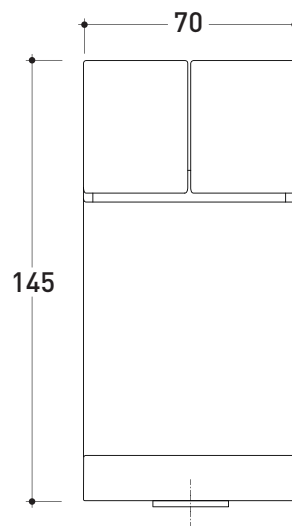
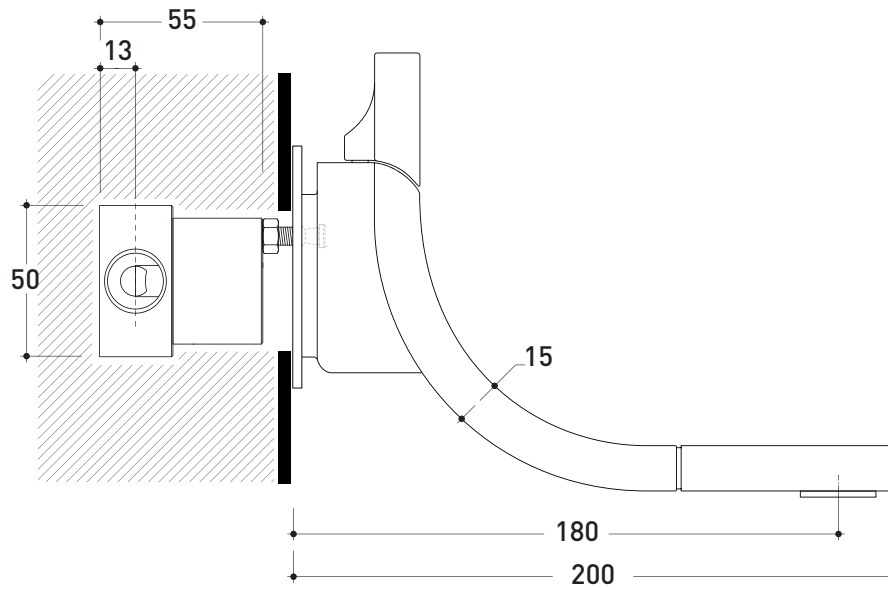
chrome

<http://www.ceramicaflaminia.it/en/products/314-si>

©ceramicaflaminiaspa - All rights reserved. Unauthorized copying, publication, reproduction as well as partial reproduction are prohibited

june 2019





Si

→FLAMINIA.

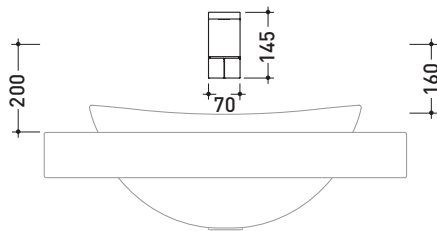
design **ALEXANDER DURINGER** and **STEFANO ROSINI** 2005

SI2042D Si Down

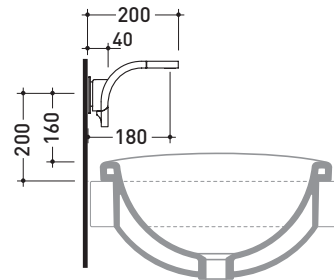
Wall-mounted dual controls basin mixer
(stop&go drain included)

Complements: **Line accessories TWO**
Line accessories HOOP

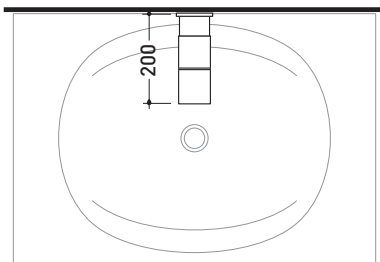
Package dim. **40 x 26 x 14 cm** | Weight **3,5 kg** | Pz. Pallet n° -



vista frontale / frontal view



vista laterale / lateral view



vista zenitale / zenital view

sizes in mm

BRASS: glossy finish



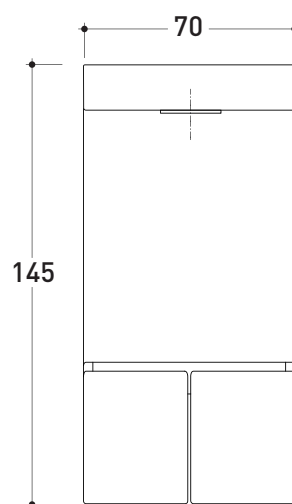
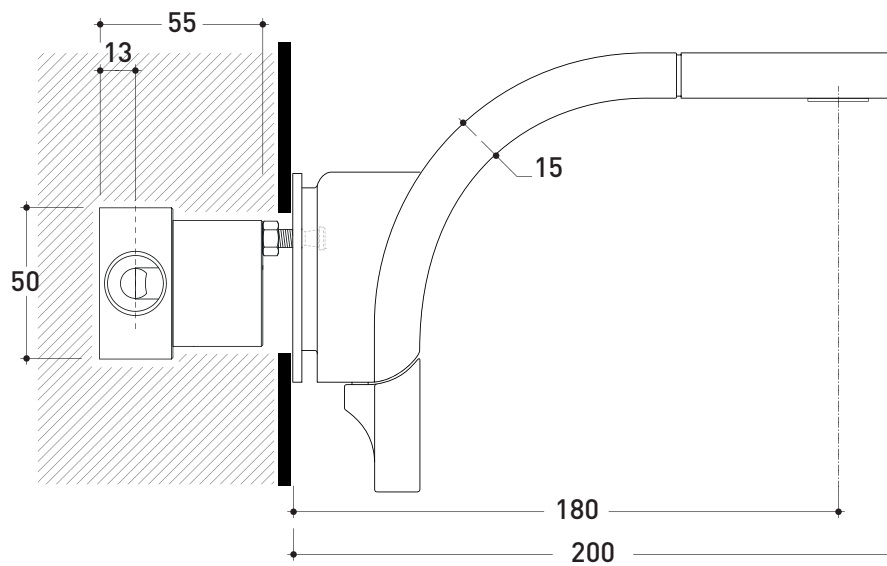
chrome

<http://www.ceramicaflaminia.it/en/products/314-si>

©ceramicaflaminiaspa - All rights reserved. Unauthorized copying, publication, reproduction as well as partial reproduction are prohibited

june 2019





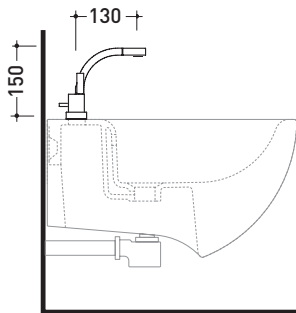
design **ALEXANDER DURINGER** and **STEFANO ROSINI** 2005

SI2023

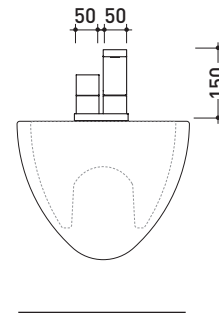
Single lever bidet mixert

Complements: **Line accessories TWO**
Line accessories HOOP

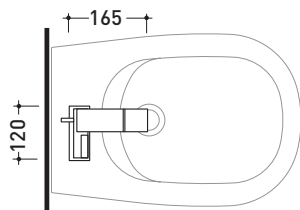
Package dim. **40 x 26 x 14 cm** | Weight **3,5 kg** | Pz. Pallet n° -



vista laterale / lateral view



vista frontale / frontal view



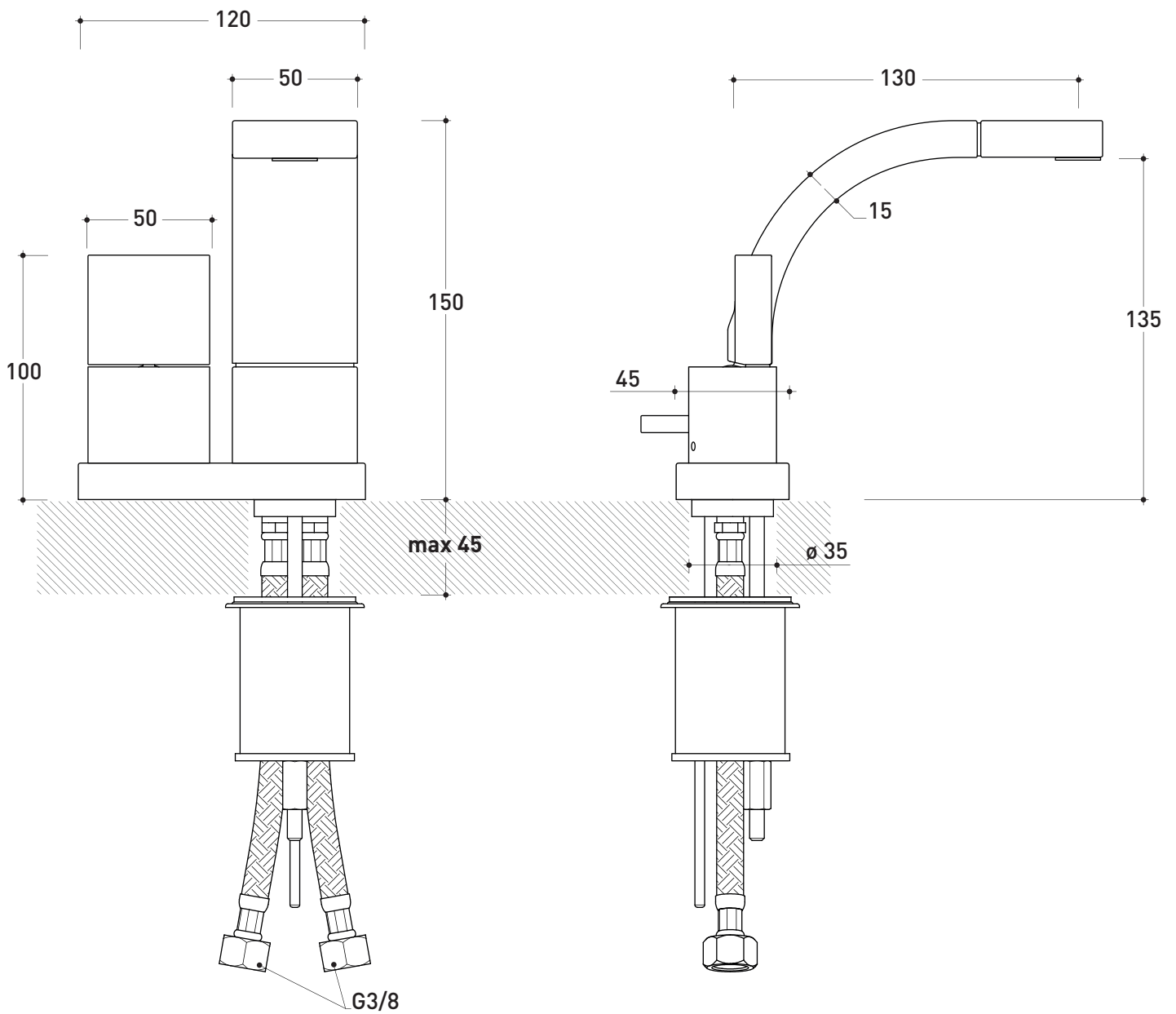
vista zenitale / zenital view

sizes in mm

BRASS: glossy finish



chrome



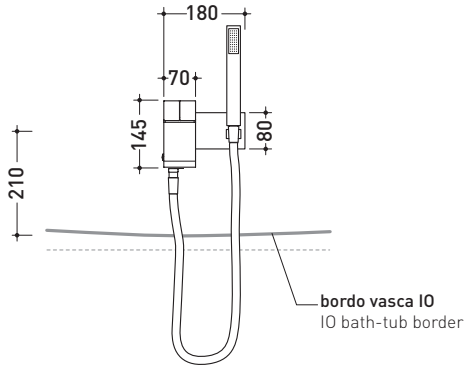
design **ALEXANDER DURINGER** and **STEFANO ROSINI** 2005

SI2081

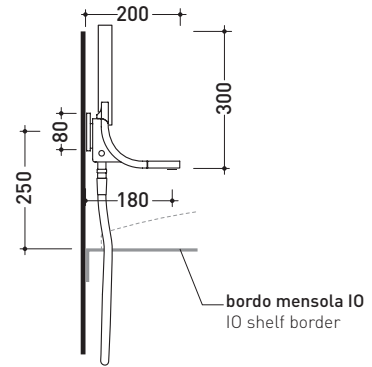
Wall-mounted bath-tub set with dual controls, spout and handshower

Complements: **Line accessories TWO**
Line accessories HOOP

Package dim. **40 x 26 x 14 cm** | Weight **4,5 kg** | Pz. Pallet n° -



vista frontale / frontal view



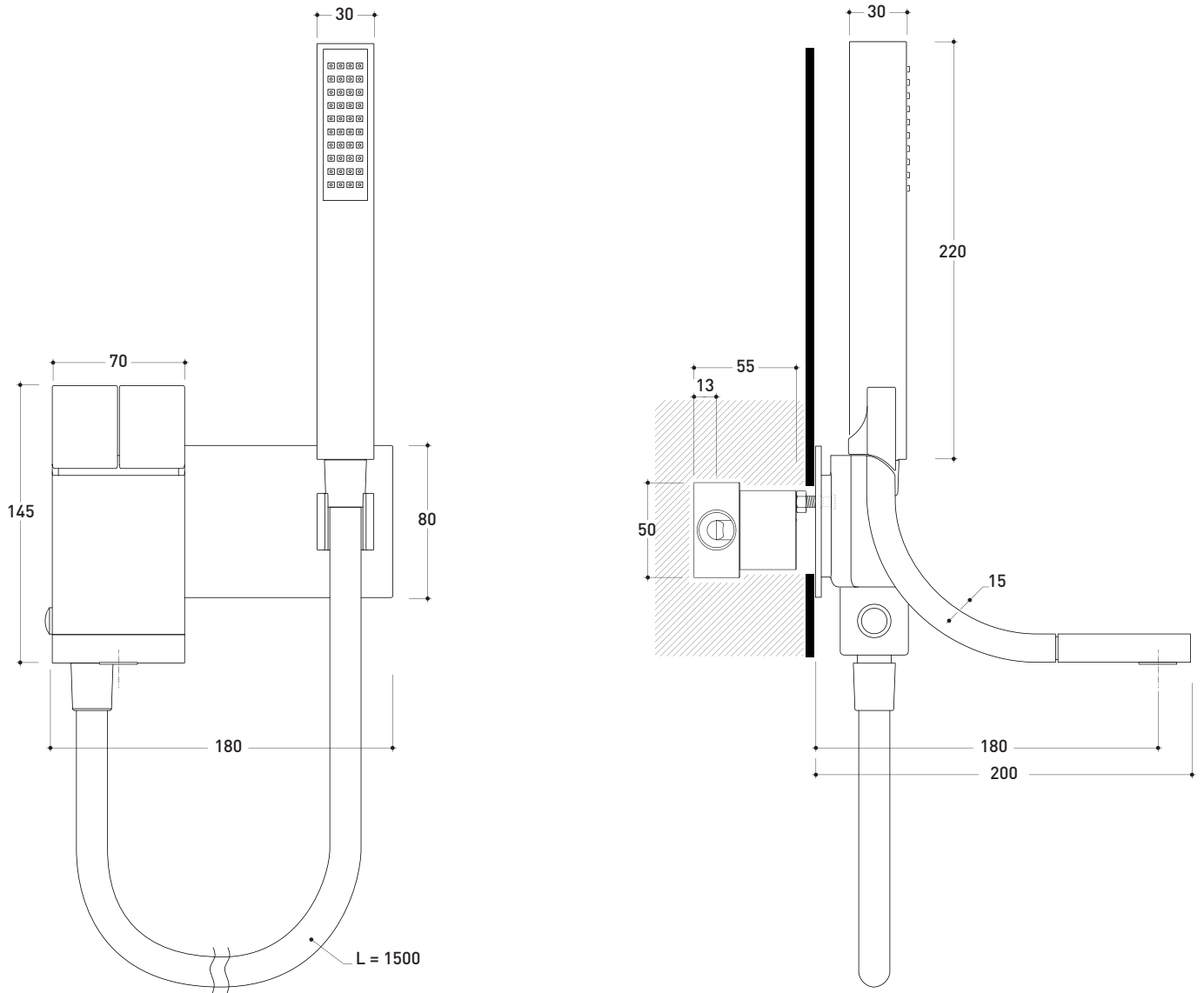
vista laterale / lateral view

sizes in mm

BRASS: glossy finish



chrome



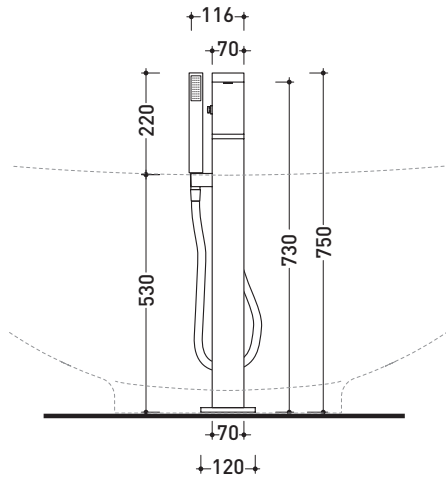
design **ALEXANDER DURINGER** and **STEFANO ROSINI** 2005

SI2085

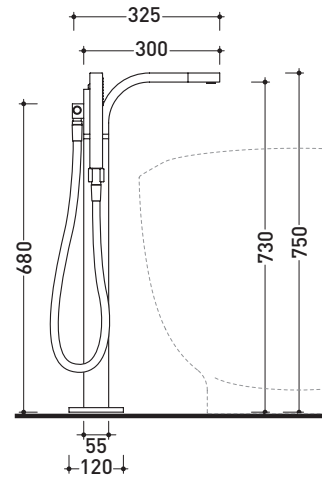
Free-standing bath mixer with spout and handshower

Complements: **Line accessories TWO**
Line accessories HOOP

Package dim. **130 x 31 x 20 cm** | Weight **13 kg** | Pz. Pallet n° -



vista frontale / frontal view



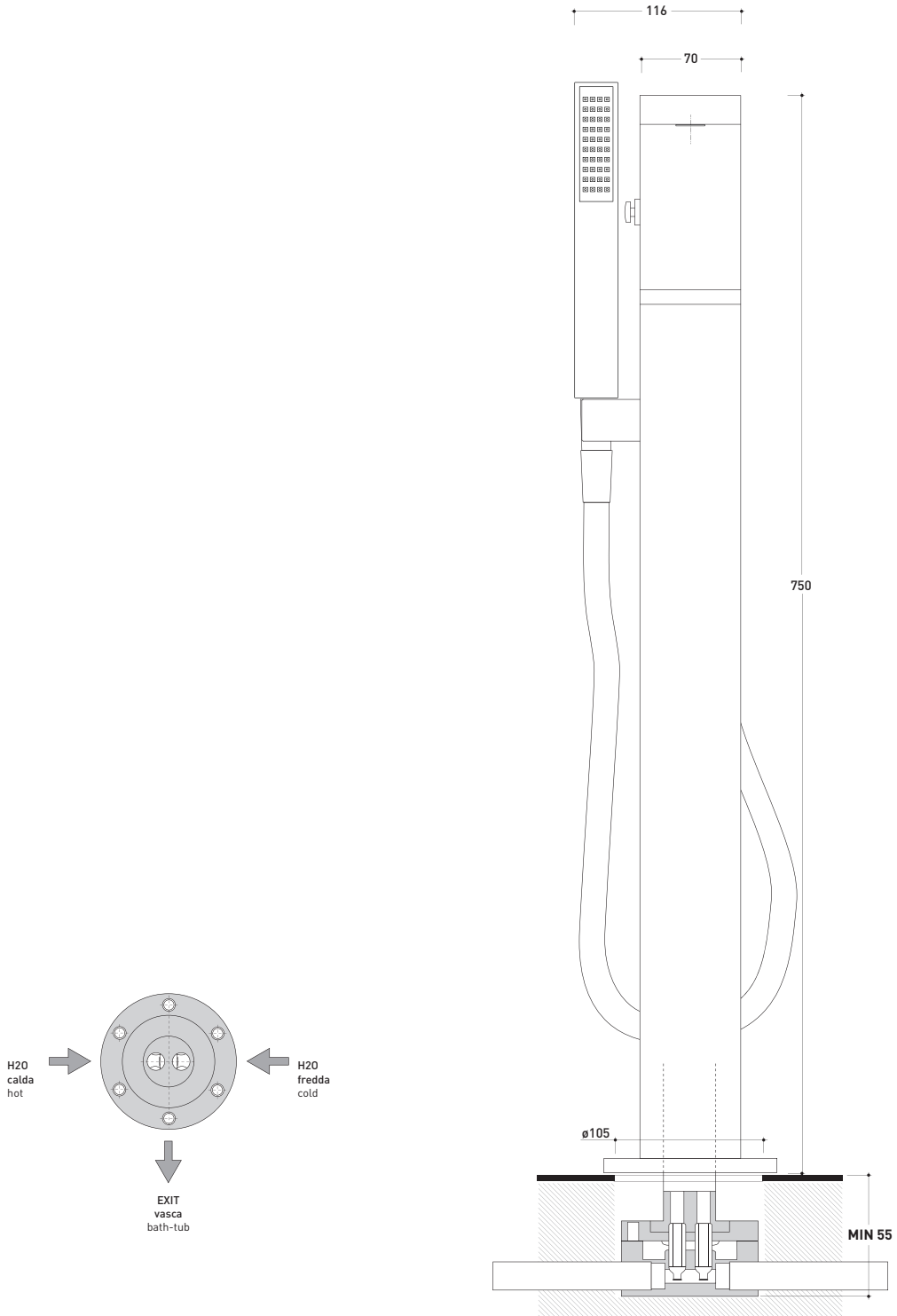
vista laterale / lateral view

sizes in mm

BRASS: glossy finish



chrome



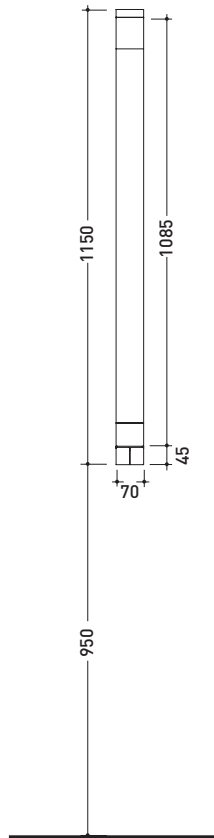
design **ALEXANDER DURINGER** and **STEFANO ROSINI** 2005

SI2072

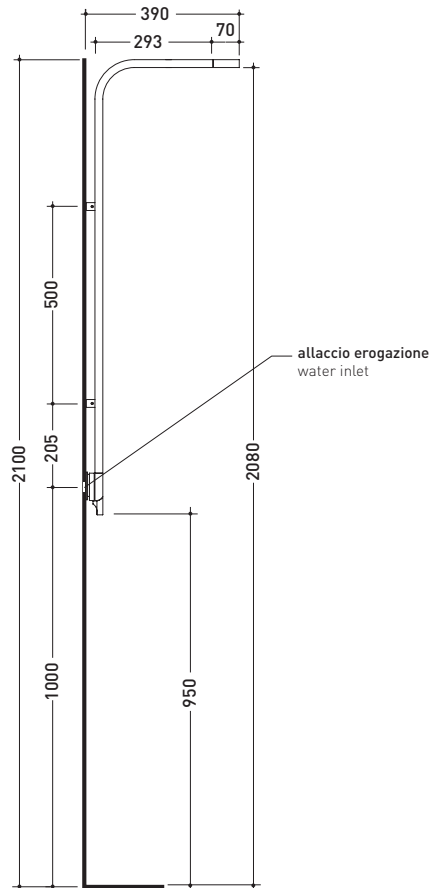
Wall mounted shower system with dual controls and integrated shower head

Complements: Line accessories TWO
Line accessories HOOP

Package dim. 126 x 31 x 20 cm | Weight 9,6 kg | Pz. Pallet n° -



vista frontale / frontal view



vista laterale / lateral view

sizes in mm

BRASS: glossy finish



chrome

