

MW60PR Miniwash 60

Countertop basin cm 60 with tap ledge

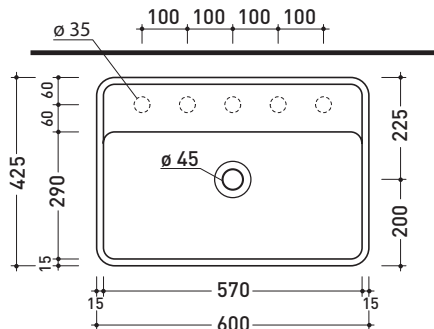
•WITH OVERFLOW •ARRANGED FOR FIVE TAP HOLES

Complements: **Forty6 shelf (F6MW)**
Solid shelf (SLMW)
Furniture BOX - depth. 50
Line taps basin: ONE - NOKÈ - SI - FOLD - X1
Line accessories: TWO - HOOP - NOKÈ - FOLD

Technical accessories: **Chrome siphon (SIFL/CR) - Telescopic chrome siphon (SIFL066)**
Stop & Go drain (PLSG)
CERAMIC Stop & Go drain (PLCE)
Two piece set chrome tap filters (RF026)

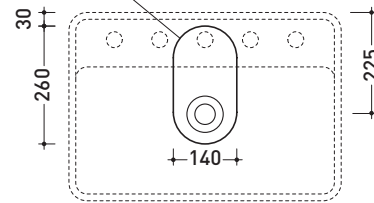
Package dim. | Weight **21 kg** | Pz. Pallet n° **12**

UNI EN 14688 - CL20 **Dop-No14688**

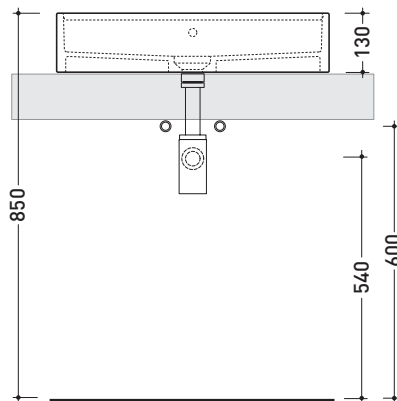


vista zenitale / zenital view

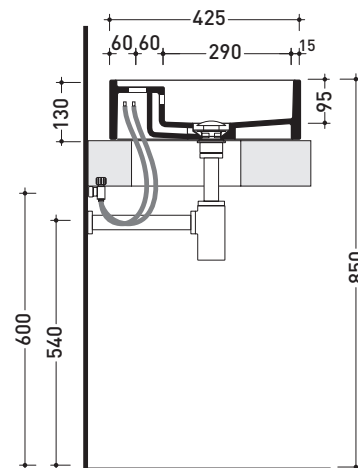
foro consigliato sul piano
suggested hole on the top



vista zenitale / zenital view



vista frontale / frontal view



sezione longitudinale / section

sizes in mm

Please consider a 2% tolerance on indicated measurements

CERAMIC: glossy finish

matt finish



METAL



design **GIULIO CAPPELLINI**

2016

MWL60 Miniwash 60

Countertop or wall hung by fixing brackets basin cm 60

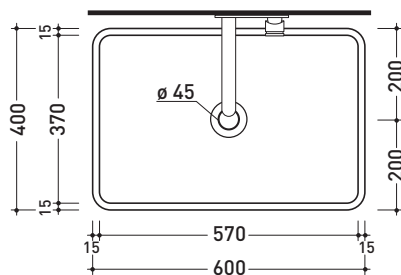
•WITHOUT OVERFLOW •WITHOUT TAP LEDGE

Complements: **Forty6 shelf (F6MW)**
Solid shelf (SLMW)
***Pair of wall fixing brackets (MWS)**
Furniture BOX - depth. 50
Filo 75 metal structure (FI75SV)
Line taps basin: ONE - NOKÈ - SI - FOLD - X1
Line accessories: TWO - HOOP - NOKÈ - FOLD

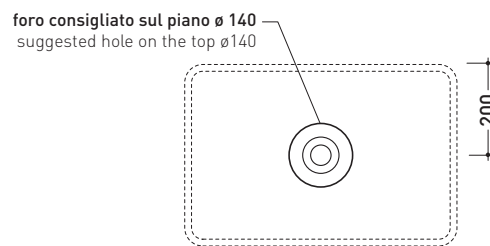
Technical accessories: **Chrome siphon (SIFL/CR) - Telescopic chrome siphon (SIFL066)**
Stop & Go drain (PLSG)
CERAMIC Stop & Go drain (PLCE)
Two piece set chrome tap filters (RF026)

Package dim. **62 x 14,5 x 42 cm** | Weight **16 kg** | Pz. Pallet n° **24**

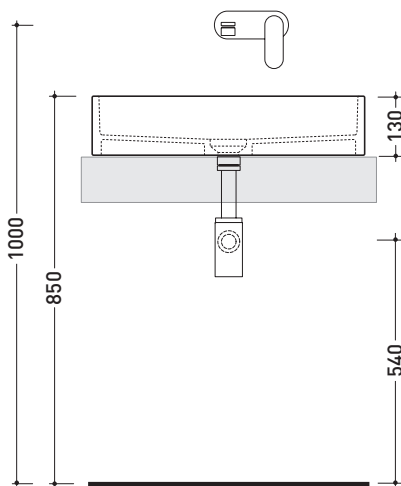
CE UNI EN 14688 - CL00 Dop-No14688



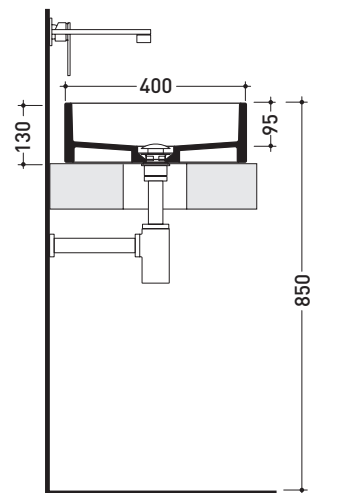
vista zenitale / zenital view



vista zenitale / zenital view



vista frontale / frontal view



sezione longitudinale / section

sizes in mm

Please consider a 2% tolerance on indicated measurements

CERAMIC: glossy finish

matt finish



white black



milky white graphite antracite lava grey argilla nuvola fango rosso rubens petrolio

METAL



white / gold white / platinum

<http://www.ceramicaflaminia.it/en/products/300-miniwash-fly>

©ceramicaflaminiaspa - All rights reserved. Unauthorized copying, publication, reproduction as well as partial reproduction are prohibited

april 2020



Miniwash

➔ **FLAMINIA.**

design **GIULIO CAPPELLINI**

2016

MWS + MWL60 Miniwash 60

Pair of wall fixing brackets + wall-hung basin cm 60

•WITHOUT OVERFLOW •WITHOUT TAP LEDGE

Complements: **Chromed towel holder (PMW60)**
Line taps basin: ONE - NOKÈ - SI - FOLD - X1
Line accessories: TWO - HOOP - NOKÈ - FOLD

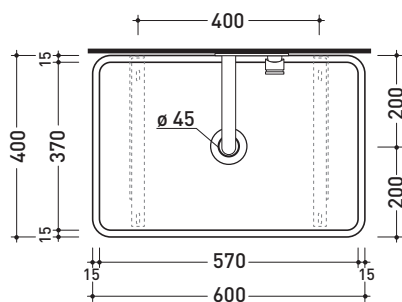
Technical accessories: **Chrome siphon (SIFL/CR) - Telescopic chrome siphon (SIFL066)**
Stop & Go drain (PLSG)
CERAMIC Stop & Go drain (PLCE)

Package dim. basin	Weight 16 kg	Pz. Pallet n° 24
--------------------	---------------------	-------------------------

Package dim. bracket	Weight 3 kg	Pz. Pallet n° -
----------------------	--------------------	-----------------



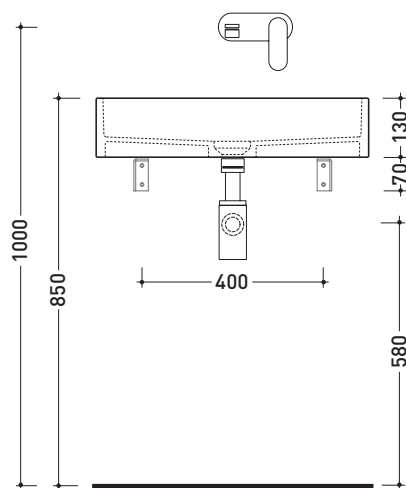
CE UNI EN 14688 - CL00 Dop-No14688



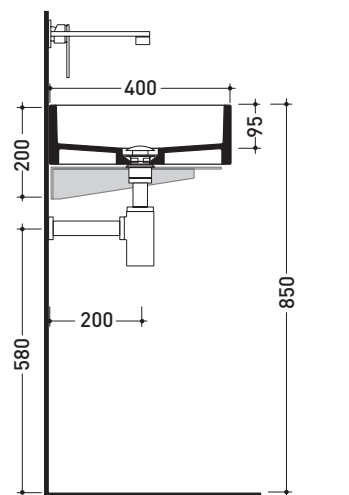
vista zenitale / zenital view



staffe di fissaggio MWS
MWS fixing bracket



vista frontale / frontal view



sezione longitudinale / section

sizes in mm

Please consider a 2% tolerance on indicated measurements

STAINLESS STEEL: glossy finish



chrome

<http://www.ceramicaflaminia.it/en/products/300-miniwash-fly>

©ceramicaflaminiaspa - All rights reserved. Unauthorized copying, publication, reproduction as well as partial reproduction are prohibited

april 2020



design **GIULIO CAPPELLINI**

2016

MW60S Miniwash 60

Wall hung basin cm 60 with tap ledge

•WITH OVERFLOW •ARRANGED FOR FIVE TAP HOLES

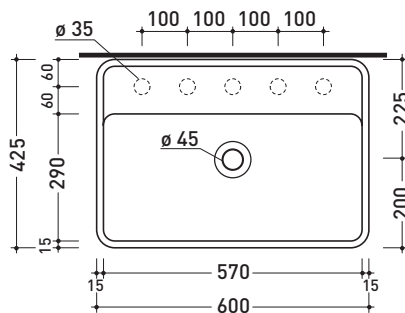
Complements: **Chromed towel holder (PMW60)**
Line taps basin: ONE - NOKÈ - SI - FOLD - X1
Line accessories: TWO - HOOP - NOKÈ - FOLD

Technical accessories: **Chrome siphon (SIFL/CR) - Telescopic chrome siphon (SIFL066)**
Stop & Go drain (PLSG)
CERAMIC Stop & Go drain (PLCE)
Two piece set chrome tap filters (RF026)
Fixing kit for wall (9002)

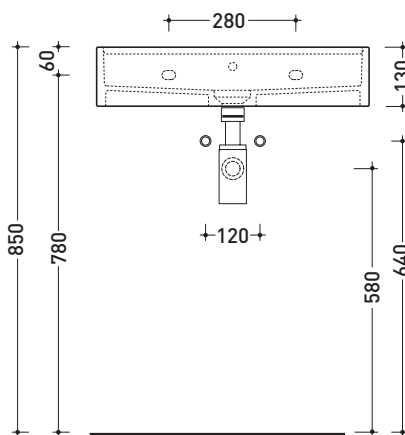
Package dim. | Weight **21 kg** | Pz. Pallet n° **12**



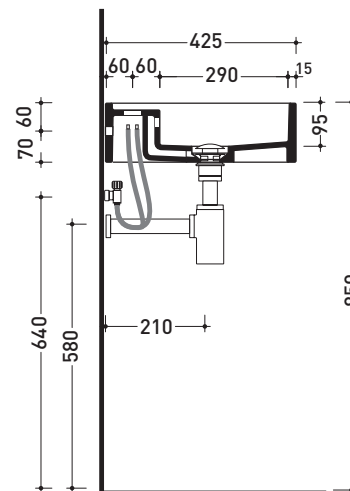
UNI EN 14688 - CL20 **Dop-No14688**



vista zenitale / zenital view



vista frontale / frontal view



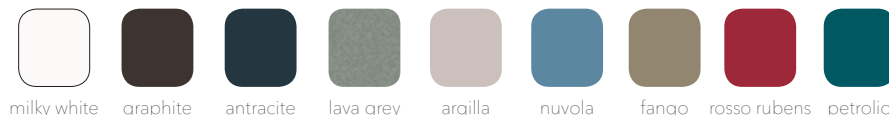
sezione longitudinale / section

sizes in mm

Please consider a 2% tolerance on indicated measurements

CERAMIC: glossy finish

matt finish



METAL



Miniwash

➔ **FLAMINIA.**

design **GIULIO CAPPELLINI**

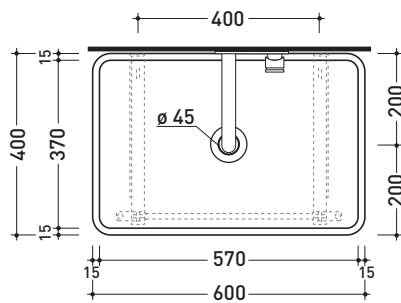
2016

PMW60 for Miniwash 60 (MWL60+MWS)

Brass towel-holder suitable for wall-hung basins **MINIWASH 60**

Complements: **MINIWASH 60 wall-hung basins** (MWL60+MWS - MW60S)
Line taps basin: ONE - NOKÈ - SI - FOLD - X1
Line accessories: TWO - HOOP - NOKÈ - FOLD

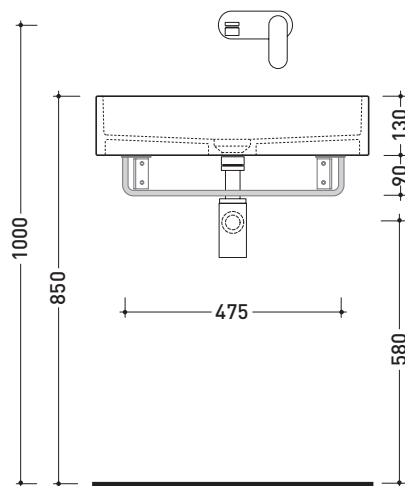
Package dim.	Weight kg	Pz. Pallet n°
--------------	------------------	---------------



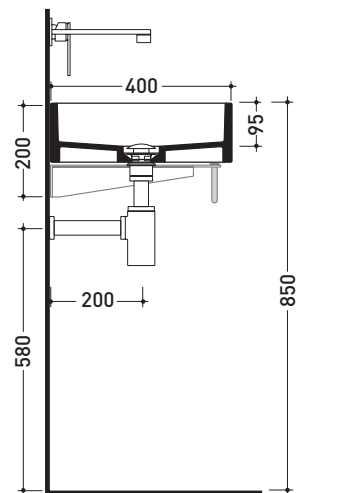
vista zenitale / zenital view



portasciugamani PMW60
 PMW60 towel holder



vista frontale / frontal view



sezione longitudinale / section

sizes in mm

BRASS: glossy finish



chrome

<http://www.ceramicaflaminia.it/en/products/300-miniwash-fly>

©ceramicaflaminiaspa - All rights reserved. Unauthorized copying, publication, reproduction as well as partial reproduction are prohibited

april 2020



design **GIULIO CAPPELLINI**

2016

PMW60 for Miniwash 60 (MW60S)

Brass towel-holder suitable for wall-hung basins **MINIWASH 60**

Complements: **MINIWASH 60 wall-hung basins** (MWL60+MWS - MW60S)

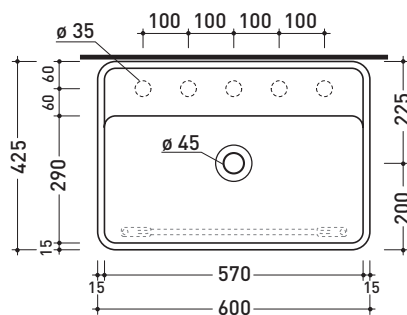
Line taps basin: ONE - NOKÈ - SI - FOLD - X1

Line accessories: TWO - HOOP - NOKÈ - FOLD

Package dim.

Weight **kg**

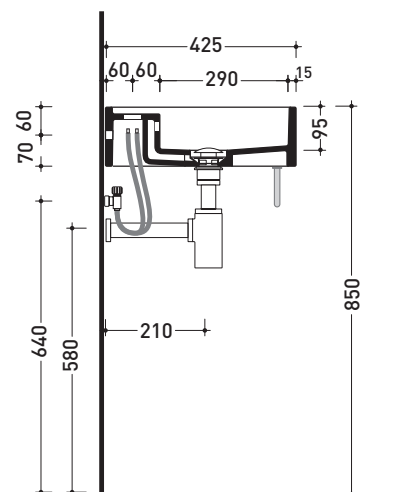
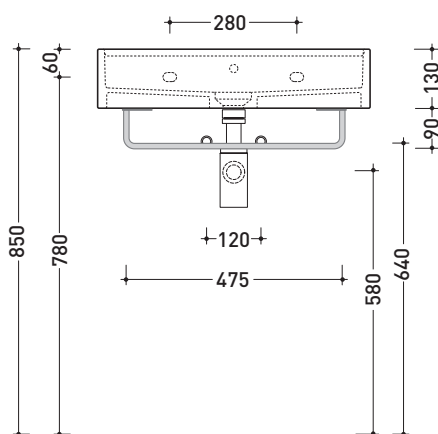
Pz. Pallet n°



vista zenitale / zenital view



portasciugamani PMW60
PMW60 towel holder



sezione longitudinale / section

sizes in mm

BRASS: glossy finish



chrome

<http://www.ceramicaflaminia.it/en/products/300-miniwash-fly>

©ceramicaflaminiaspa - All rights reserved. Unauthorized copying, publication, reproduction as well as partial reproduction are prohibited

april 2020



MW75PR Miniwash 75

Countertop basin cm 75 with tap ledge

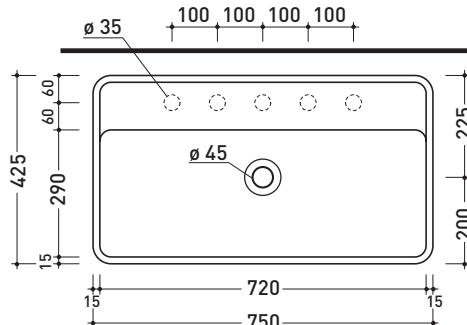
•WITH OVERFLOW •ARRANGED FOR FIVE TAP HOLES

Complements: **Forty6 shelf (F6MW)**
Solid shelf (SLMW)
Furniture BOX - depth. 50
Line taps basin: ONE - NOKÈ - SI - FOLD - X1
Line accessories: TWO - HOOP - NOKÈ - FOLD

Technical accessories: **Chrome siphon (SIFL/CR) - Telescopic chrome siphon (SIFL066)**
Stop & Go drain (PLSG)
CERAMIC Stop & Go drain (PLCE)
Two piece set chrome tap filters (RF026)

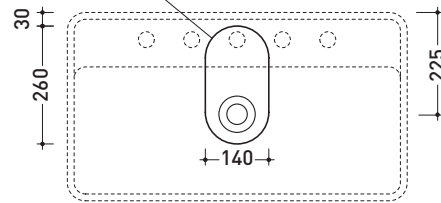
Package dim. | Weight **kg** | Pz. Pallet n°

CE UNI EN 14688 - CL20 Dop-No14688

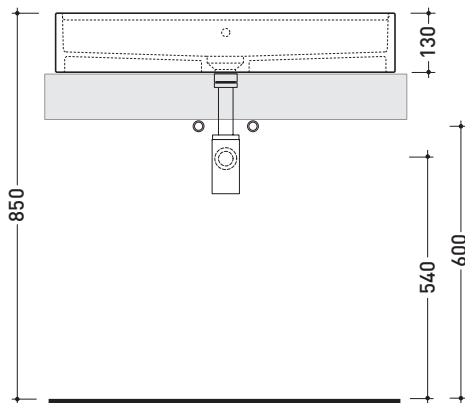


vista zenitale / zenital view

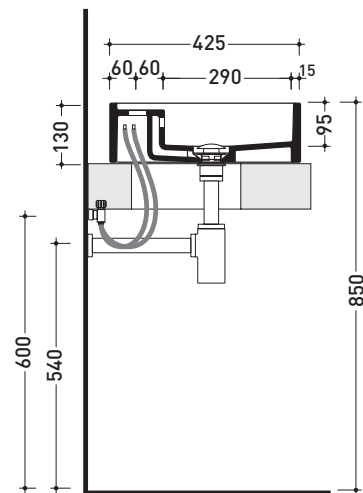
foro consigliato sul piano
suggested hole on the top



vista zenitale / zenital view



vista frontale / frontal view



sezione longitudinale / section

sizes in mm

Please consider a 2% tolerance on indicated measurements

CERAMIC: glossy finish

matt finish



METAL



design **GIULIO CAPPELLINI**

2016

MWL75 Miniwash 75

Countertop or wall hung by fixing brackets basin cm 75

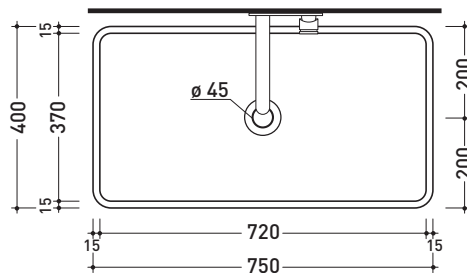
•WITHOUT OVERFLOW •WITHOUT TAP LEDGE

Complements: **Forty6 shelf (F6MW)**
Solid shelf (SLMW)
***Pair of wall fixing brackets (MWS)**
Furniture BOX - depth. 50
Line taps basin: ONE - NOKÈ - SI - FOLD - X1
Line accessories: TWO - HOOP - NOKÈ - FOLD

Technical accessories: **Chrome siphon (SIFL/CR) - Telescopic chrome siphon (SIFL066)**
Stop & Go drain (PLSG)
CERAMIC Stop & Go drain (PLCE)
Two piece set chrome tap filters (RF026)

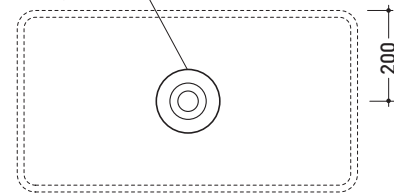
Package dim. **77 x 14,5 x 42 cm** | Weight **19 kg** | Pz. Pallet n° **24**

CE UNI EN 14688 - CL00 Dop-No14688

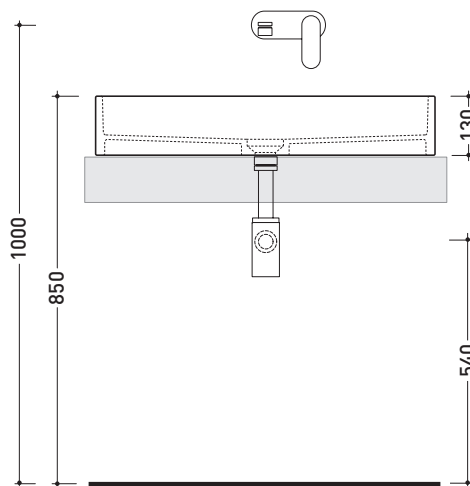


vista zenitale / zenital view

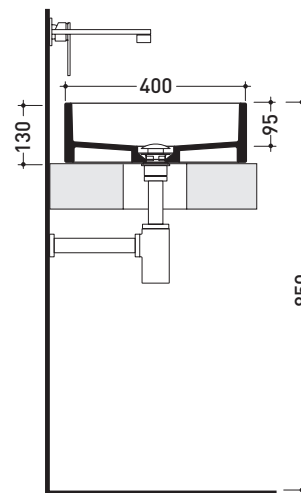
foro consigliato sul piano ø 140
 suggested hole on the top ø140



vista zenitale / zenital view



vista frontale / frontal view



sezione longitudinale / section

sizes in mm

Please consider a 2% tolerance on indicated measurements

CERAMIC: glossy finish

matt finish



white black



milky white graphite antracite lava grey argilla nuvola fango rosso rubens petrolio

METAL



white / gold white / platinum

<http://www.ceramicaflaminia.it/en/products/300-miniwash-fly>

©ceramicaflaminiaspa - All rights reserved. Unauthorized copying, publication, reproduction as well as partial reproduction are prohibited

april 2020



MWS + MWL75 Miniwash 75

Pair of wall fixing brackets + wall-hung basin cm 75

•WITHOUT OVERFLOW •WITHOUT TAP LEDGE

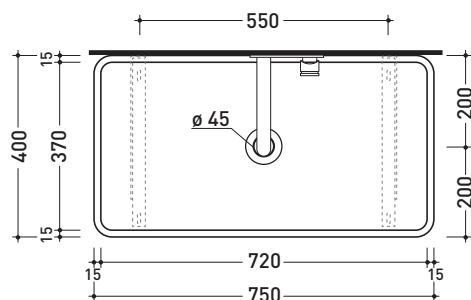
Complements: **Chromed towel holder (PMW75)**
Line taps basin: ONE - NOKÈ - SI - FOLD - X1
Line accessories: TWO - HOOP - NOKÈ - FOLD

Technical accessories: **Chrome siphon (SIFL/CR) - Telescopic chrome siphon (SIFL066)**
Stop & Go drain (PLSG)
CERAMIC Stop & Go drain (PLCE)

Package dim. basin | Weight **16 kg** | Pz. Pallet n° **24**

Package dim. bracket | Weight **3 kg** | Pz. Pallet n° -

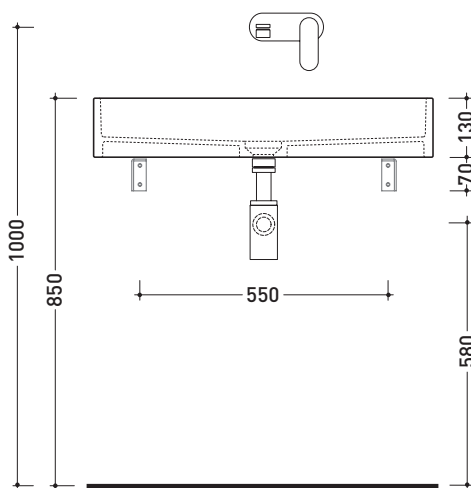
CE UNI EN 14688 - CL00 Dop-No14688



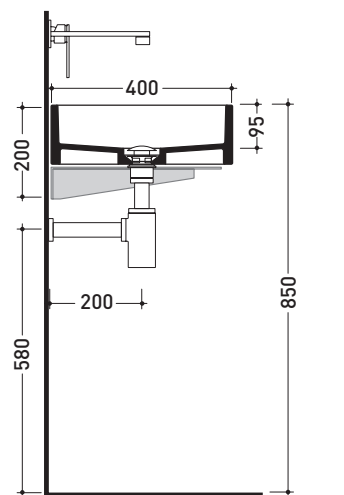
vista zenitale / zenital view



staffe di fissaggio MWS
MWS fixing bracket



vista frontale / frontal view



sezione longitudinale / section

sizes in mm

Please consider a 2% tolerance on indicated measurements

STAINLESS STEEL: glossy finish



chrome

MW75S Miniwash 75

Wall hung basin cm 75 with tap ledge

•WITH OVERFLOW •ARRANGED FOR FIVE TAP HOLES

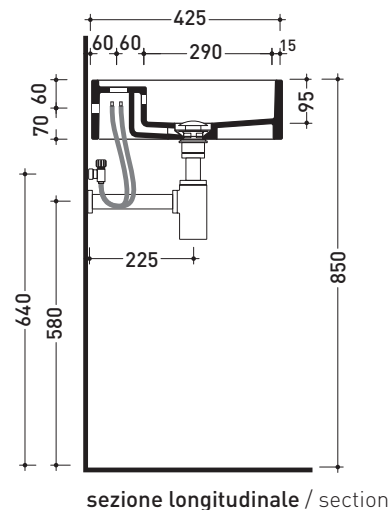
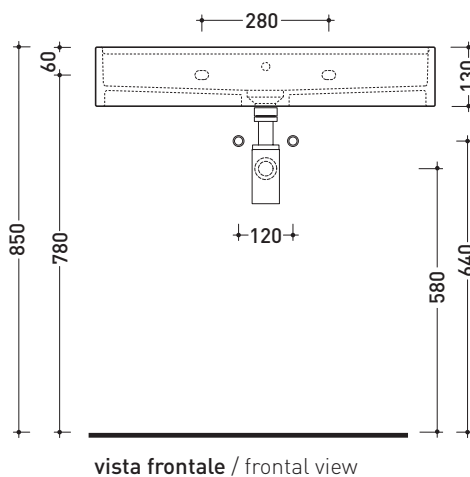
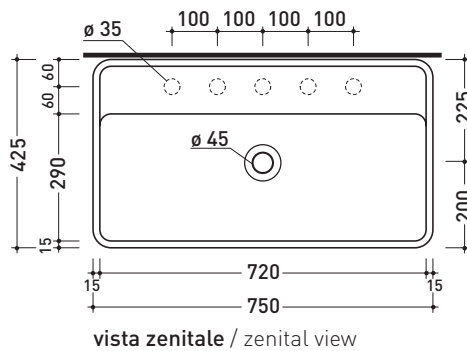
Complements: **Chromed towel holder (PMW75)**
Line taps basin: ONE - NOKÈ - SI - FOLD - X1
Line accessories: TWO - HOOP - NOKÈ - FOLD

Technical accessories: **Chrome siphon (SIFL/CR) - Telescopic chrome siphon (SIFL066)**
Stop & Go drain (PLSG)
CERAMIC Stop & Go drain (PLCE)
Two piece set chrome tap filters (RF026)
Fixing kit for wall (9002)

Package dim. | Weight **23,5 kg** | Pz. Pallet n° **12**



UNI EN 14688 - CL20 Dop-No14688



sizes in mm

Please consider a 2% tolerance on indicated measurements

CERAMIC: glossy finish

matt finish



METAL



Miniwash

design GIULIO CAPPELLINI

2016

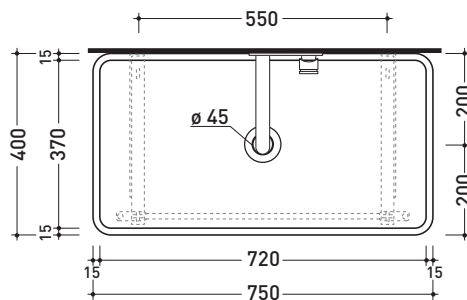
➔ **FLAMINIA.**

PMW75 for Miniwash 75 (MWL75+MWS)

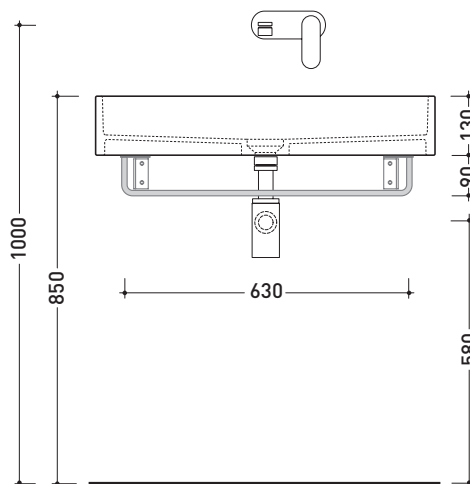
Brass towel-holder suitable for wall-hung basins MINIWASH 75

Complements: **MINIWASH 75 wall-hung basins** (MWL75+MWS - MW75S)
Line taps basin: ONE - NOKÈ - SI - FOLD - X1
Line accessories: TWO - HOOP - NOKÈ - FOLD

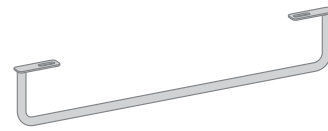
Package dim.	Weight kg	Pz. Pallet n°
--------------	-----------	---------------



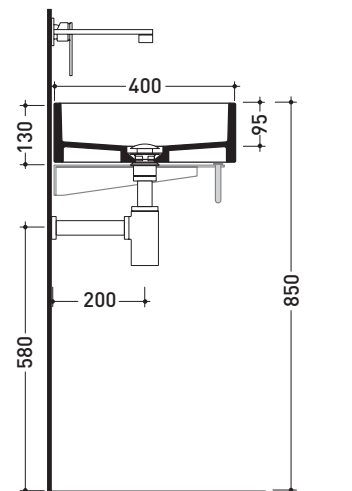
vista zenitale / zenital view



vista frontale / frontal view



portasciugamani PMW75
PMW75 towel holder



sezione longitudinale / section

sizes in mm

BRASS: glossy finish



chrome

<http://www.ceramicaflaminia.it/en/products/300-miniwash-fly>

©ceramicaflaminiaspa - All rights reserved. Unauthorized copying, publication, reproduction as well as partial reproduction are prohibited

april 2020

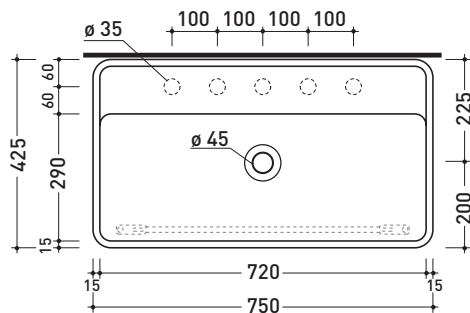


PMW75 for Miniwash 75 (MW75S)

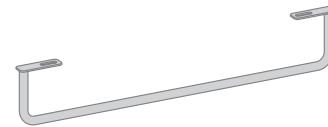
Brass towel-holder suitable for wall-hung basins **MINIWASH 75**

Complements: **MINIWASH 75 wall-hung basins** (MWL75+MWS - MW75S)
Line taps basin: ONE - NOKÈ - SI - FOLD - X1
Line accessories: TWO - HOOP - NOKÈ - FOLD

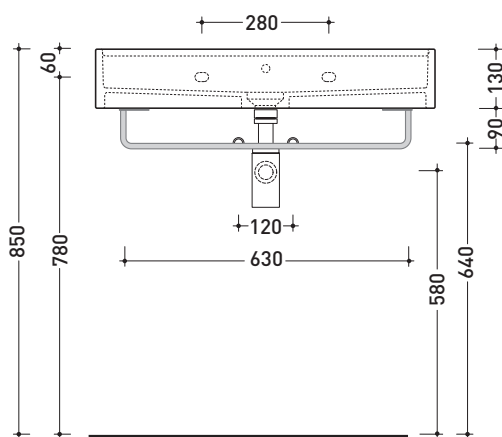
Package dim.	Weight kg	Pz. Pallet n°
--------------	------------------	---------------



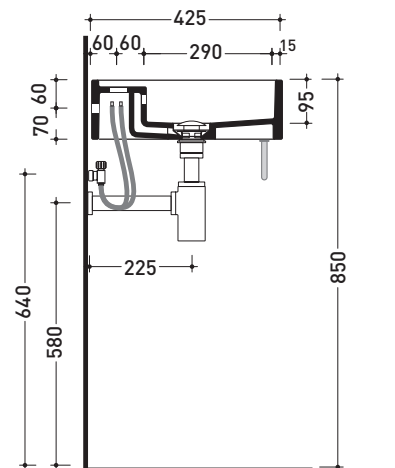
vista zenitale / zenital view



portasciugamani PMW75
PMW75 towel holder



vista frontale / frontal view



sezione longitudinale / section

sizes in mm

BRASS: glossy finish



chrome

design **GIULIO CAPPELLINI**

2005

MWL25 Miniwash 25

Wall hung single-hole basin

• WITHOUT OVERFLOW

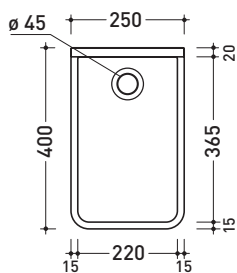
Complements: **Line taps basin ONE** (113057)
Line accessories: TWO - HOOP - NOKÈ - FOLD

Technical accessories: **Chrome siphon** (SIFL/CR) - **Telescopic chrome siphon** (SIFL066)
Stop & Go drain (PLSG)
CERAMIC Stop & Go drain (PLCE)

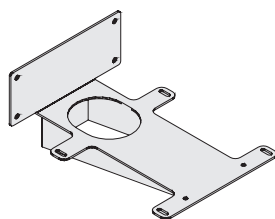
Package dim. **36 x 25,5 x 40,5 cm** | Weight **13 kg** | Pz. Pallet n° **30**



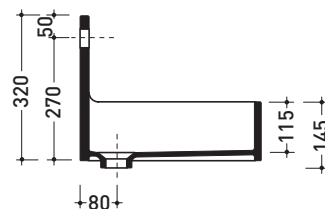
CE UNI EN 14688 - CL00 Dop-No14688



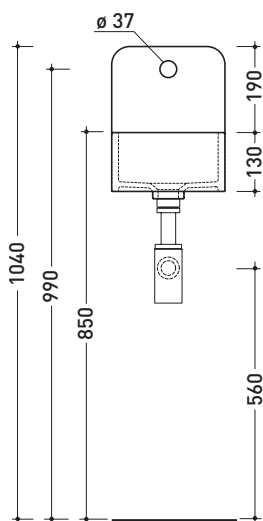
vista zenitale / zenital view



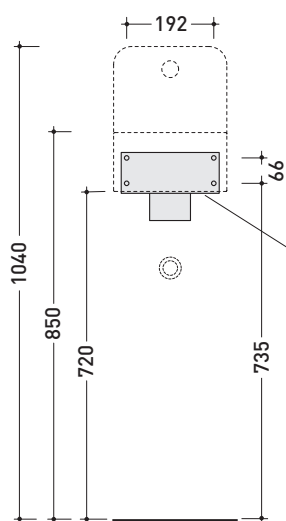
staffa di fissaggio
fixing bracket



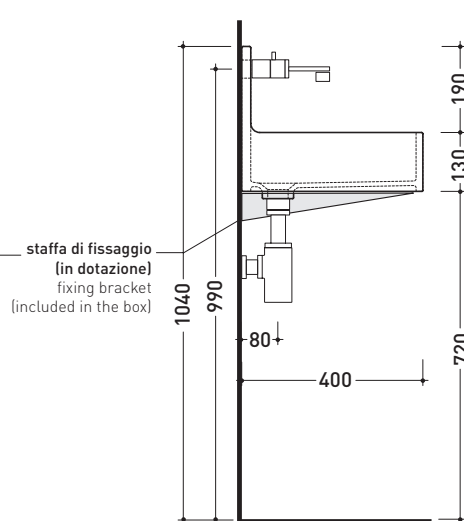
sezione longitudinale / section



vista frontale / frontal view



vista frontale fissaggio staffa
fixing bracket frontal view



vista laterale / lateral view

sizes in mm

Please consider a 2% tolerance on indicated measurements

CERAMIC: glossy finish



white

Miniwash

➔ **FLAMINIA.**

design **GIULIO CAPPELLINI**

2005

MWL40 Miniwash 40

Countertop - wall hung* basin 40 cm

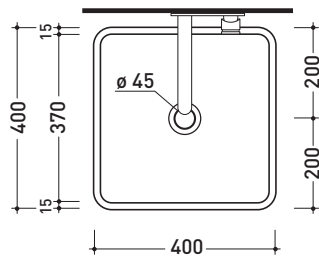
•WITHOUT OVERFLOW •WITHOUT TAP LEDGE

Complements: ***Wall fixing bracket (MWS40)**
Forty6 shelf (F6MW)
Solid shelf (SLMW)
Furniture BOX - depth. 50
Filo 60 metal structure (FI60SV)
Filo 75 metal structure (FI75SV)
Line taps basin: ONE - NOKÈ - SI - FOLD - X1
Line accessories: TWO - HOOP - NOKÈ - FOLD

Technical accessories: **Chrome siphon (SIFL/CR) - Telescopic chrome siphon (SIFL066)**
Stop & Go drain (PLSG)
CERAMIC Stop & Go drain (PLCE)
Two piece set chrome tap filters (RF026)

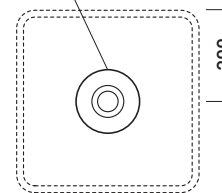
Package dim. **40, 5 x 14, 5 x 42 cm** | Weight **11,5 kg** | Pz. Pallet n° **42**

CE UNI EN 14688 - CL00 Dop-No14688

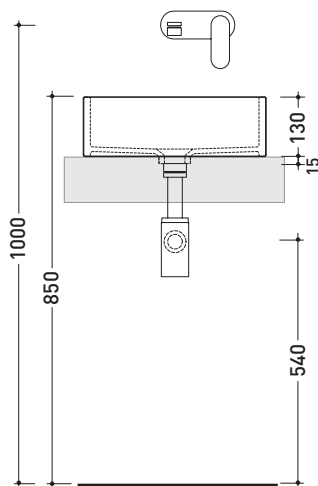


vista zenitale / zenital view

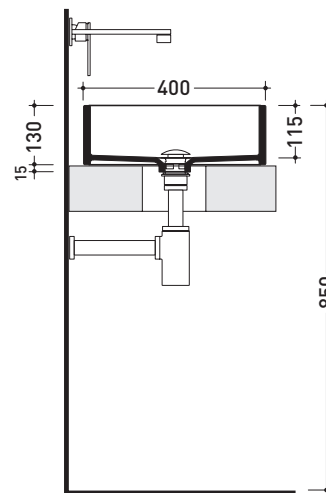
foro consigliato sul piano ø 140
 suggested hole on the top ø140



vista zenitale / zenital view



vista frontale / frontal view



sezione longitudinale / section

sizes in mm

Please consider a 2% tolerance on indicated measurements

CERAMIC: glossy finish

matt finish



METAL



<http://www.ceramicaflaminia.it/en/products/300-miniwash-fly>

©ceramicaflaminiaspa - All rights reserved. Unauthorized copying, publication, reproduction as well as partial reproduction are prohibited

april 2020



Miniwash Fly

➔ **FLAMINIA.**

design **GIULIO CAPPELLINI**

2005

MWL40 + MWS40 Miniwash 40

Wall fixing bracket + countertop basin 40 cm

• WITHOUT OVERFLOW • WITHOUT TAP LEDGE

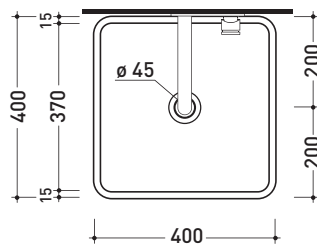
Complements: **Line taps basin:** ONE - NOKÈ - SI - X1
Line accessories: TWO - HOOP - NOKÈ - FOLD

Technical accessories: **Chrome siphon (SIFL/CR) - Telescopic chrome siphon (SIFL066)**
Stop & Go drain (PLSG)
CERAMIC Stop & Go drain (PLCE)

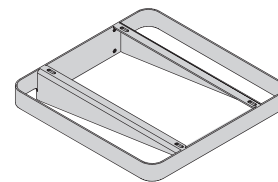
Package dim. basin: **40,5 x 14,5 x 42 cm** | Weight **11,5 kg** | Pz. Pallet n° **42**

Package dim. bracket: **42 x 18 x 44 cm** | Weight **3 kg** | Pz. Pallet n° -

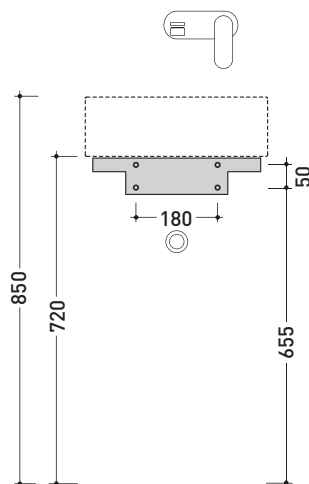
CE UNI EN 14688 - CL00 Dop-No14688



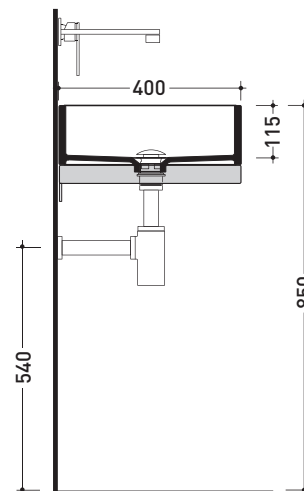
vista zenitale / zenital view



staffa di fissaggio MWS40
MWS40 fixing bracket



vista frontale fissaggio staffa
fixing bracket frontal view



sezione longitudinale / section

sizes in mm

Please consider a 2% tolerance on indicated measurements

STAINLESS STEEL: glossy finish



chrome

<http://www.ceramicaflaminia.it/en/products/300-miniwash-fly>

©ceramicaflaminiaspa - All rights reserved. Unauthorized copying, publication, reproduction as well as partial reproduction are prohibited

april 2020



Miniwash Fly

➔ **FLAMINIA.**

design **GIULIO CAPPELLINI**

2005

MWL48 Miniwash 48

Countertop - wall hung* basin 48 cm

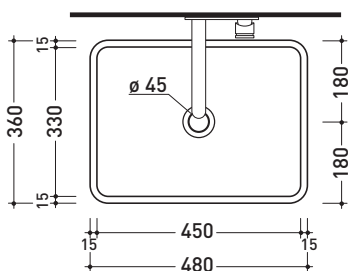
●WITHOUT OVERFLOW ●WITHOUT TAP LEDGE

Complements: ***Wall fixing bracket (MWS48)**
Forty6 shelf (F6MW)
Solid shelf (SLMW)
Furniture BOX - depth. 50
Filo 60 metal structure (FI60SV)
Filo 75 metal structure (FI75SV)
Line taps basin: ONE - NOKÈ - SI - FOLD - X1
Line accessories: TWO - HOOP - NOKÈ - FOLD

Technical accessories: **Chrome siphon (SIFL/CR) - Telescopic chrome siphon (SIFL066)**
Stop & Go drain (PLSG)
CERAMIC Stop & Go drain (PLCE)
Two piece set chrome tap filters (RF026)

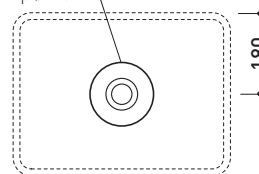
Package dim. **49 x 14,5 x 37,5 cm** | Weight **12,5 kg** | Pz. Pallet n° **42**

CE UNI EN 14688 - CL00 Dop-No14688

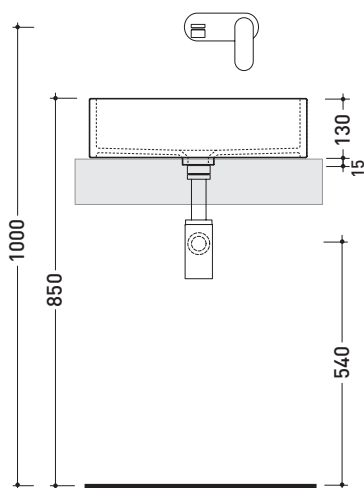


vista zenitale / zenital view

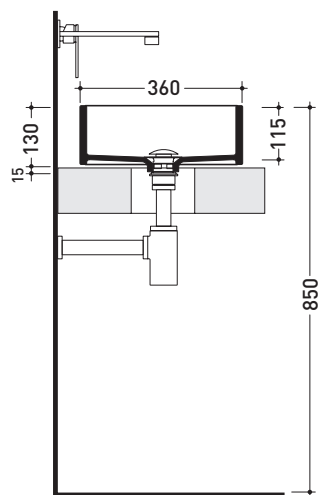
foro consigliato sul piano ø 140
 suggested hole on the top ø140



vista zenitale / zenital view



vista frontale / frontal view



sezione longitudinale / section

sizes in mm

Please consider a 2% tolerance on indicated measurements

CERAMIC: glossy finish

matt finish



METAL



<http://www.ceramicaflaminia.it/en/products/300-miniwash-fly>

©ceramicaflaminiaspa - All rights reserved. Unauthorized copying, publication, reproduction as well as partial reproduction are prohibited

april 2020



Miniwash Fly

➔ **FLAMINIA.**

design **GIULIO CAPPELLINI**

2005

MWL48M + MWS48 Miniwash 48

Wall fixing bracket + countertop basin 48 cm

• WITHOUT OVERFLOW • WITHOUT TAP LEDGE

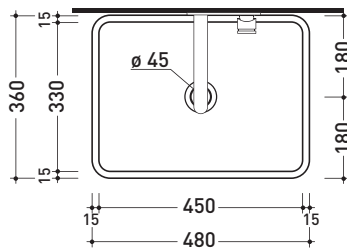
Complements: **Line taps basin: ONE - NOKÈ - SI - X1**
Line accessories: TWO - HOOP - NOKÈ - FOLD

Technical accessories: **Chrome siphon (SIFL/CR) - Telescopic chrome siphon (SIFL066)**
Stop & Go drain (PLSG)
CERAMIC Stop & Go drain (PLCE)

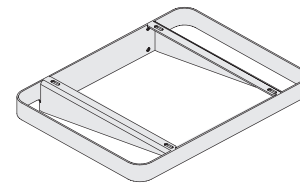
Package dim. basin | 49 x 14,5 x 37,5 cm | Weight 12,5 kg | Pz. Pallet n° 42

Package dim. bracket | 42 x 18 x 44 cm | Weight 3 kg | Pz. Pallet n° -

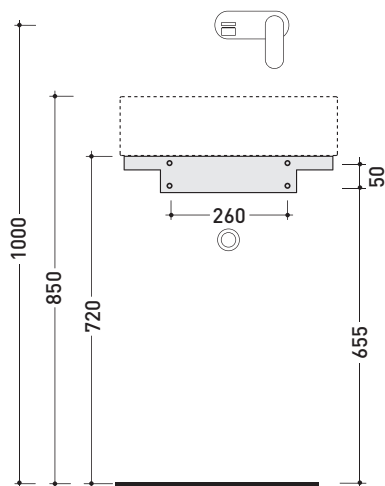
CE UNI EN 14688 - CL00 Dop-No14688



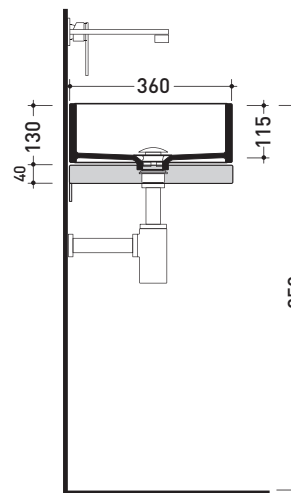
vista zenitale / zenital view



staffa di fissaggio MWS48
MWS48 fixing bracket



vista frontale fissaggio staffa
fixing bracket frontal view



sezione longitudinale / section

sizes in mm

Please consider a 2% tolerance on indicated measurements

STAINLESS STEEL: glossy finish



chrome

<http://www.ceramicaflaminia.it/en/products/300-miniwash-fly>

©ceramicaflaminiaspa - All rights reserved. Unauthorized copying, publication, reproduction as well as partial reproduction are prohibited

april 2020



MW40SP Miniwash 40

Under-counter basin 40 cm

• WITHOUT OVERFLOW • GLAZED EXTERIOR

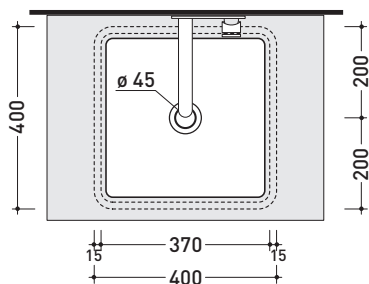
Complements: Fly crystal shelves (FY40PC)
 FlyMax Pietraluce shelves (FY40SP)
 Line taps basin: ONE - NOKÈ - SI - FOLD - X1
 Line accessories: TWO - HOOP - NOKÈ - FOLD

Technical accessories: Chrome siphon (SIFL/CR) - Telescopic chrome siphon (SIFL066)
 Stop & Go drain (PLSG)
 CERAMIC Stop & Go drain (PLCE)
 Two piece set chrome tap filters (RF026)

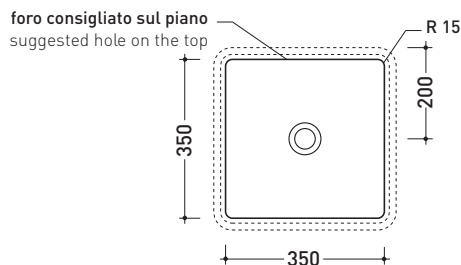
Package dim. 40, 5 x 14, 5 x 42 cm | Weight 14 kg | Pz. Pallet n° 42



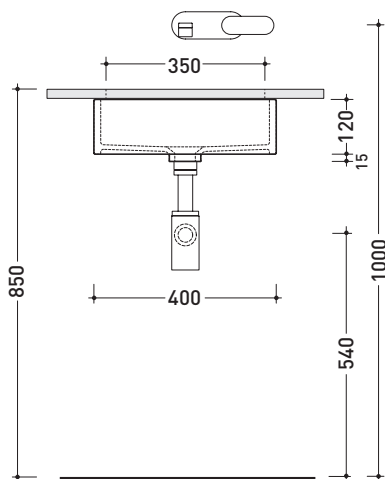
CE UNI EN 14688 - CL00 Dop-No14688



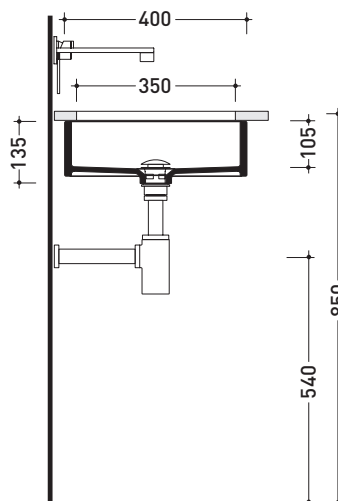
vista zenitale / zenital view



vista zenitale / zenital view



vista frontale / frontal view



sezione longitudinale / section

sizes in mm

Please consider a 2% tolerance on indicated measurements

CERAMIC: glossy finish



matt finish



Miniwash Fly

➔ **FLAMINIA.**

design **GIULIO CAPPELLINI**

2005

MW48SP Miniwash 48

Under-counter basin 48 cm

• WITHOUT OVERFLOW • GLAZED EXTERIOR

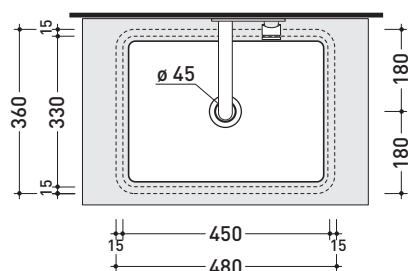
Complements: **Fly crystal tops** (FY48PC)
FlyMax Pietraluce tops (FY48SP)
Line taps basin: ONE - NOKÈ - SI - FOLD - X1
Line accessories: TWO - HOOP - NOKÈ - FOLD

Technical accessories: **Chrome siphon** (SIFL/CR) - **Telescopic chrome siphon** (SIFL066)
Stop & Go drain (PLSG)
CERAMIC Stop & Go drain (PLCE)
Two piece set chrome tap filters (RF026)

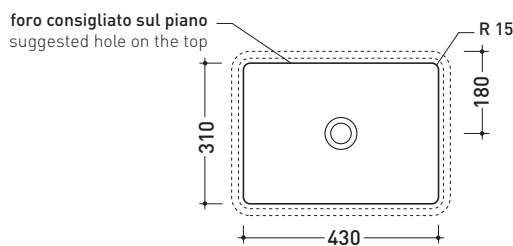
Package dim. **49 x 14,5 x 37,5 cm** | Weight **14,5 kg** | Pz. Pallet n° **42**



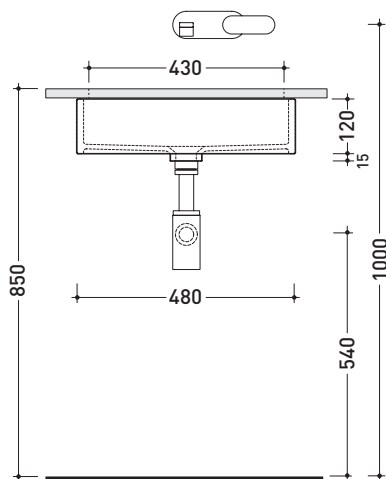
CE UNI EN 14688 - CL00 Dop-No14688



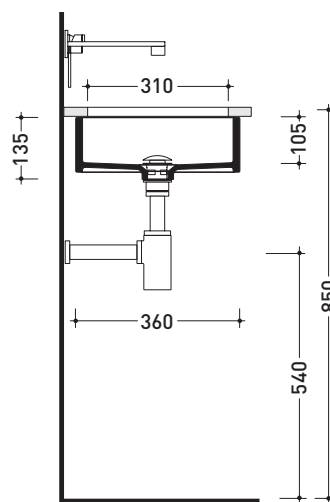
vista zenitale / zenital view



vista zenitale / zenital view



vista frontale / frontal view



sezione longitudinale / section

sizes in mm

Please consider a 2% tolerance on indicated measurements

CERAMIC: glossy finish



matt finish



<http://www.ceramicaflaminia.it/en/products/300-miniwash-fly>

©ceramicaflaminiaspa - All rights reserved. Unauthorized copying, publication, reproduction as well as partial reproduction are prohibited

april 2020



design **GIULIO CAPPELLINI**

2016

MW60SP Miniwash 60

Under-counter basin 60 cm

• WITHOUT OVERFLOW • GLAZED EXTERIOR

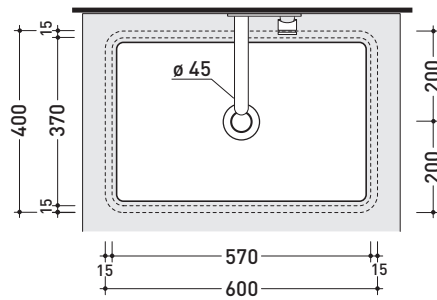
Complements: **Fly crystal tops** (FY60PC)
FlyMax Pietraluce tops (FY60SP)
Line taps basin: ONE - NOKÈ - SI - FOLD - X1
Line accessories: TWO - HOOP - NOKÈ - FOLD

Technical accessories: **Chrome siphon** (SIFL/CR) - **Telescopic chrome siphon** (SIFL066)
Stop & Go drain (PLSG)
CERAMIC Stop & Go drain (PLCE)
Two piece set chrome tap filters (RF026)

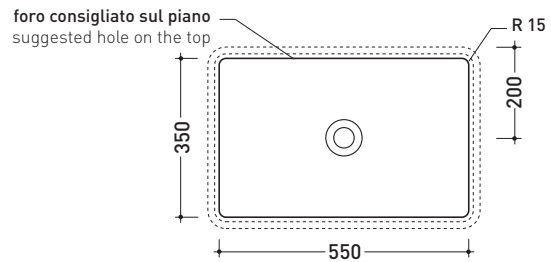
Package dim. **62 x 14,5 x 42 cm** | Weight **18,5 kg** | Pz. Pallet n° **24**



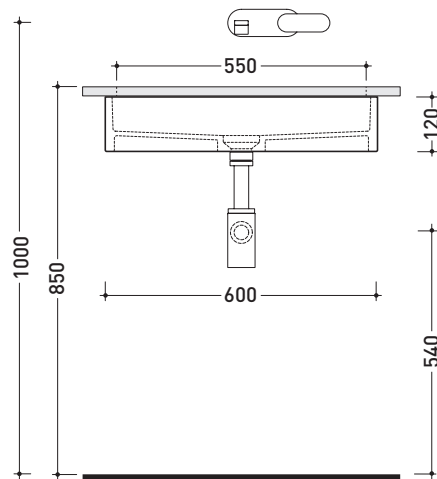
CE UNI EN 14688 - CL00 Dop-No14688



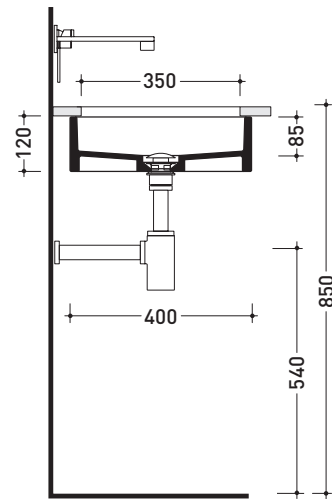
vista zenitale / zenital view



vista zenitale / zenital view



vista frontale / frontal view



sezione longitudinale / section

sizes in mm

Please consider a 2% tolerance on indicated measurements

CERAMIC: glossy finish



matt finish



MW75SP Miniwash 75

Under-counter basin 75 cm

•WITHOUT OVERFLOW •GLAZED EXTERIOR

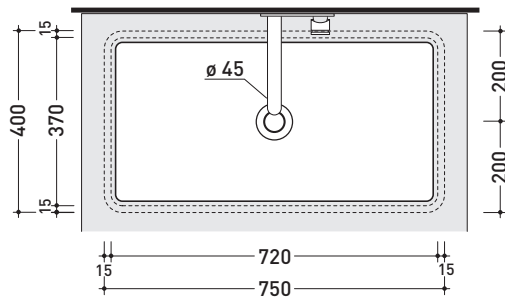
Complements: **Fly crystal tops (FY75PC)**
FlyMax Pietraluce tops (FY75SP)
Line taps basin: ONE - NOKÈ - SI - FOLD - X1
Line accessories: TWO - HOOP - NOKÈ - FOLD

Technical accessories: **Chrome siphon (SIFL/CR) - Telescopic chrome siphon (SIFL066)**
Stop & Go drain (PLSG)
CERAMIC Stop & Go drain (PLCE)
Two piece set chrome tap filters (RF026)

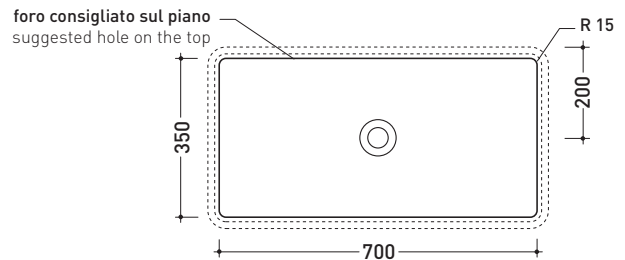
Package dim. **77 x 14,5 x 42 cm** | Weight **21,5 kg** | Pz. Pallet n° **24**



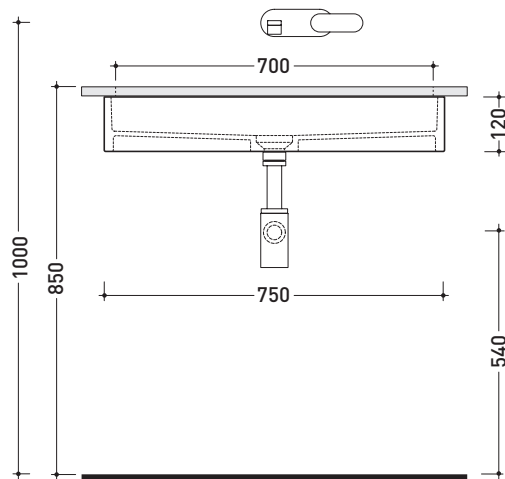
CE UNI EN 14688 - CL00 Dop-No14688



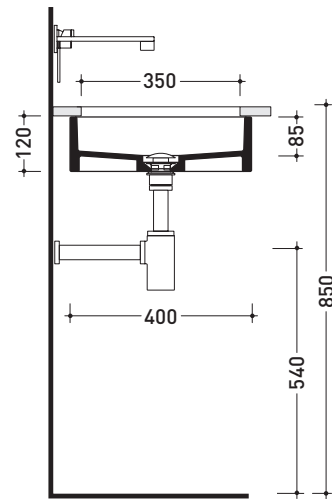
vista zenitale / zenital view



vista zenitale / zenital view



vista frontale / frontal view



sezione longitudinale / section

sizes in mm

Please consider a 2% tolerance on indicated measurements

CERAMIC: glossy finish



matt finish



Miniwash Fly

➔ **FLAMINIA.**

design **FLAMINIA DESIGN TEAM**

2006

FY40PC + MW40SP

Varnished extra_light crystal top from 80 to 200 cm
suitable for Miniwash 40 under-counter basin (fixing brackets included)

Complements: **Miniwash 40 under-counter basin (MW40SP)**

Make-Up mirrors and lamps

Simple mirrors

Hot/Cold mirror (SPHC)

Left/Right mirror (SPLR)

Line mirrors (BASC20 - BASC30 - BASC40)

Taps basin line: ONE - NOKÈ - FOLD - SI - X1

Accessories line: TWO - HOOP - NOKÈ - FOLD

Technical accessories: **Chrome siphon (SIFL/CR) - Telescopic chrome siphon (SIFL066)**

Stop & Go drain (PLSG)

CERAMIC Stop & Go drain (PLCE)

Two piece set chrome tap filters (RF026)

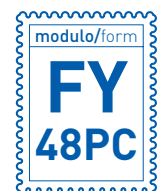
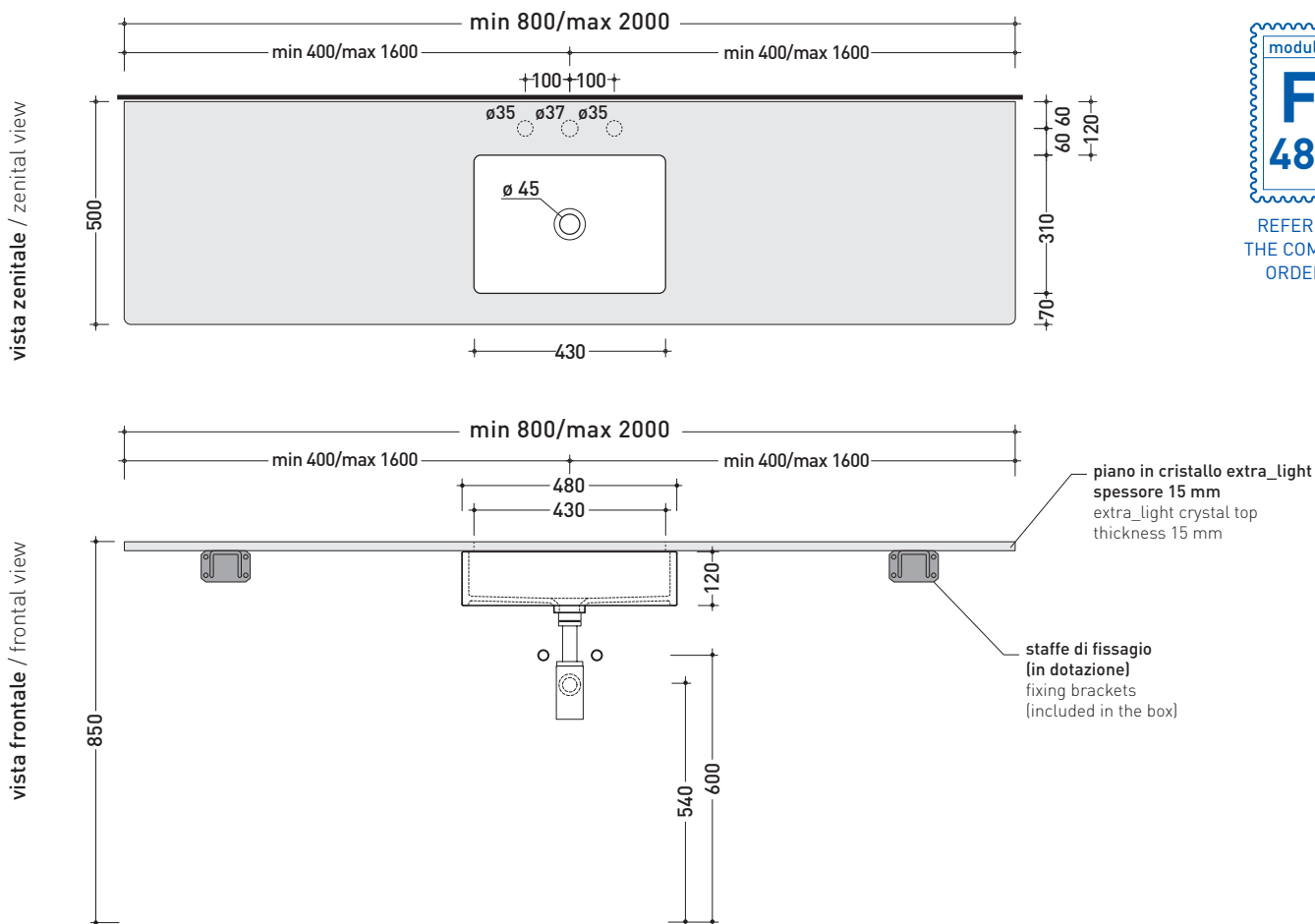
Package dim.

Weight

Pz. Pallet n° -



CE



REFERENCE TO
THE COMPULSORY
ORDER FORM

sizes in mm

Please consider a 2% tolerance on indicated measurements

CRYSTAL: glossy finish



white



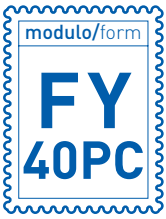
black

<http://www.ceramicaflaminia.it/it/products/300-miniwash-fly>

©ceramicaflaminiaspa - All rights reserved. Unauthorized copying, publication, reproduction as well as partial reproduction are prohibited

april 2020





MODULO PER LA REALIZZAZIONE DEI PIANI IN CRISTALLO **FLY** A MISURA PER ART. **MW40SP**
FLY CUSTOMIZED CRYSTAL SHELVES FOR ART. MW40SP FORM

 **E' obbligatorio fotocopiare questa pagina, compilarla con cura e allegarla all'ordine.**
 Is compulsory to photocopy this page, carefully fill in and attach to the order.

➔➔ **1** DETTAGLI ORDINE / ORDER DETAILS

ordinante - buyer	cliente - client
ordine - order n:	data - date:
ref.:	
annotazioni - notes	

➔➔ **2** SCELTA ARTICOLO / ITEM CHOICE

E' importante consultare prima la scheda tecnica relativa
 It's important to consult before the technical detail

art. **FY40PC**
 mensola / shelf da / from **80 a / to 200 cm**

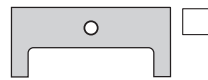
➔➔ **3** SCELTA COLORE / COLOUR SELECTION

CRISTALLO EXTRA_LIGHT
EXTRA_LIGHT CRYSTAL

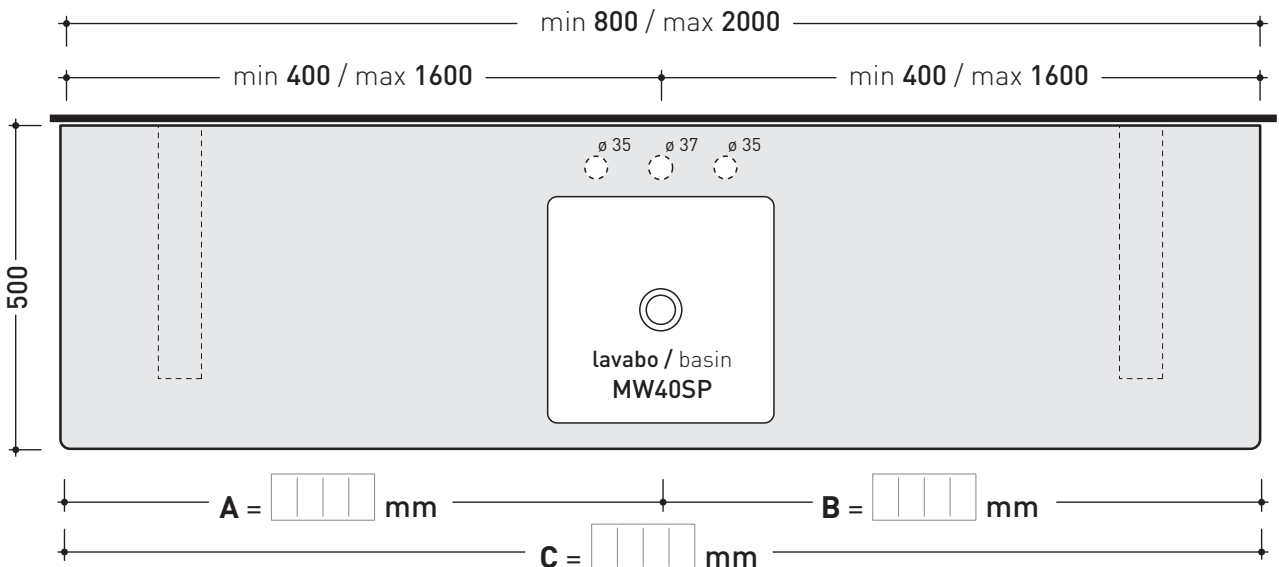
bianco - white nero - black

➔➔ **4** SCELTA DETTAGLI / DETAILS SELECTION

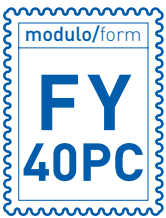
FORI RUBINETTERIA / TAP HOLES

			
3 fori - 3 holes	2 fori - 2 holes	1 foro - 1 hole	NO fori - NO hole

➔➔ **5** SCELTA MISURE / MEASURES



- **A** = misura interasse lavabo da sinistra / left distance of basin.
- **B** = misura interasse lavabo da destra / right distance of basin.
- **C** = misura totale del piano / total length of the shelf.
- verificare sempre che / verify that: **A + B = C**.



MODULO PER LA REALIZZAZIONE DEI PIANI IN CRISTALLO **FLY** A MISURA PER DOPPIO ART. **MW40SP**
FLY CUSTOMIZED CRYSTAL SHELVES FOR DOUBLE ART. MW40SP FORM



E' obbligatorio fotocopiare questa pagina, compilarla con cura e allegarla all'ordine.
 Is compulsory to photocopy this page, carefully fill in and attach to the order.

➔➔ **1** DETTAGLI ORDINE / ORDER DETAILS

ordinante - buyer _____ cliente - client _____

ordine - order n: _____ data - date: _____ ref.: _____

annotazioni - notes _____

➔➔ **2** SCELTA ARTICOLO / ITEM CHOICE

E' importante consultare prima la scheda tecnica relativa
 It's important to consult before the technical detail

art. **FY40PC**
 mensola / shelf da / from 140 a / to 200 cm

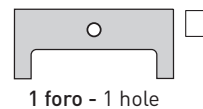
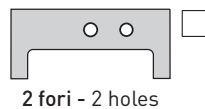
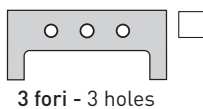
➔➔ **3** SCELTA COLORE / COLOUR SELECTION

CRISTALLO EXTRA_LIGHT
 EXTRA_LIGHT CRYSTAL

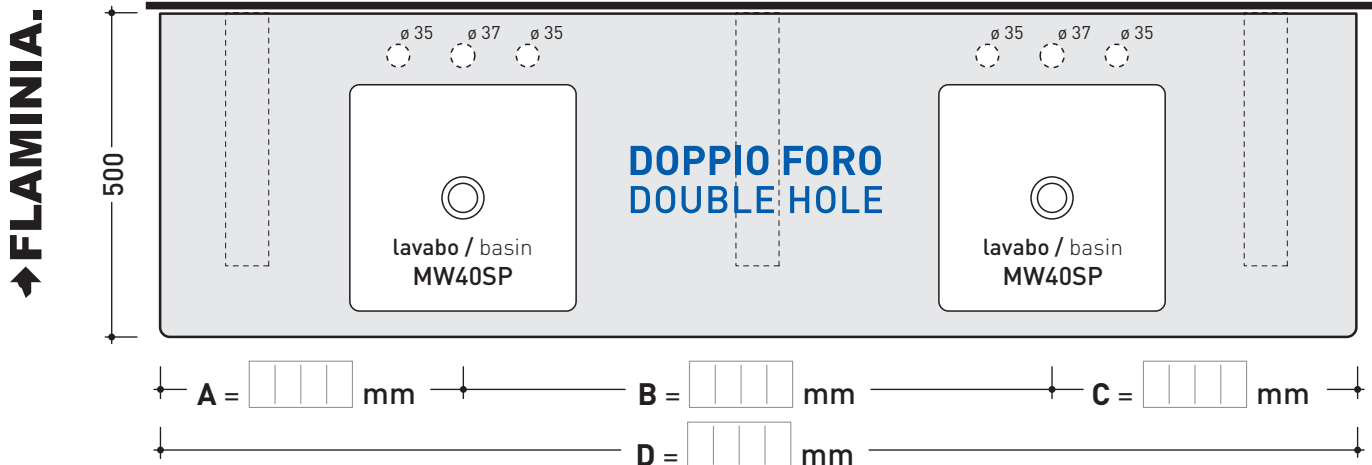
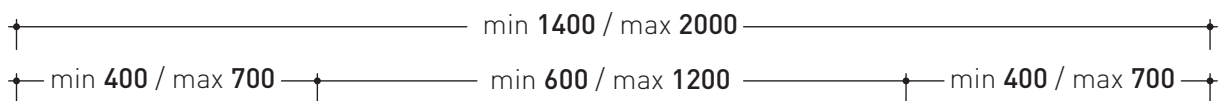
bianco - white nero - black

➔➔ **4** SCELTA DETTAGLI / DETAILS SELECTION

FORI RUBINETTERIA / TAP HOLES



➔➔ **5** SCELTA MISURE / MEASURES



- A = misura interasse lavabo da sinistra / left distance of basin.
- B = misura interasse lavabo da destra / right distance of basin.
- C = misura totale del piano / total length of the shelf.
- C = misura totale del piano / total length of the shelf.
- verificare sempre che / verify that: **A + B + C = D.**

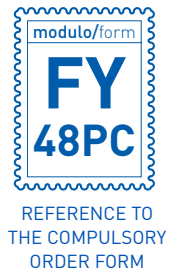
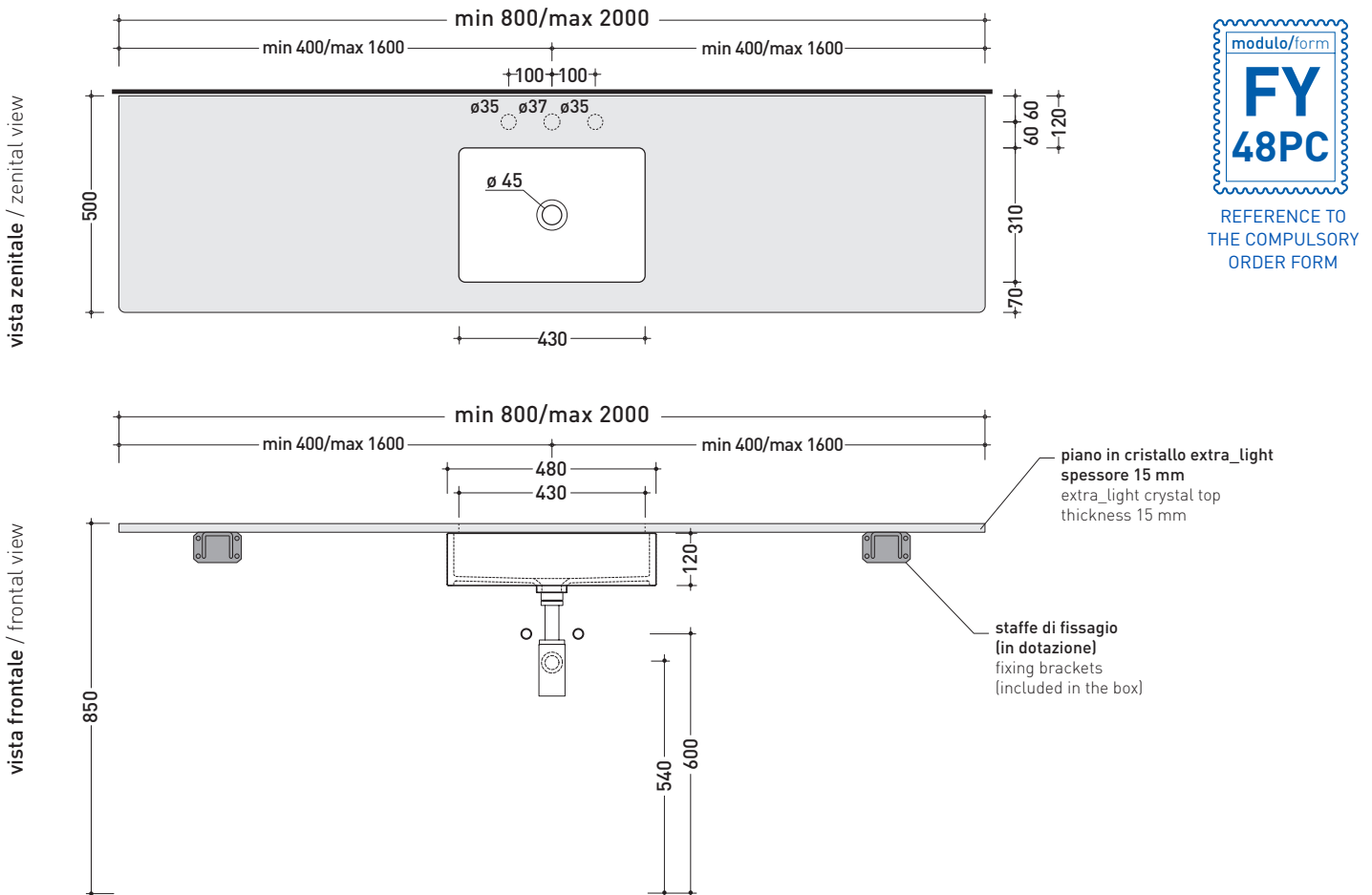
FY48PC + MW48SP

Varnished extra_light crystal top from 80 to 200 cm
suitable for Miniwash 48 under-counter basin (fixing brackets included)

Complements: **Miniwash 48 under-counter basin (MW48SP)**
Make-Up mirrors and lamps
Simple mirrors
Hot/Cold mirror (SPHC)
Left/Right mirror (SPLR)
Line mirrors (BASC20 - BASC30 - BASC40)
Taps basin line: ONE - NOKÈ - FOLD - SI - X1
Accessories line: TWO - HOOP - NOKÈ - FOLD

Technical accessories: **Chrome siphon (SIFL/CR) - Telescopic chrome siphon (SIFL066)**
Stop & Go drain (PLSG)
CERAMIC Stop & Go drain (PLCE)
Two piece set chrome tap filters (RF026)

Package dim. | Weight | Pz. Pallet n° -



sizes in mm

Please consider a 2% tolerance on indicated measurements

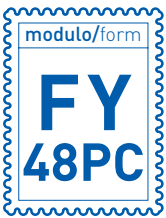
CRYSTAL: glossy finish



white



black



MODULO PER LA REALIZZAZIONE DEI PIANI IN CRISTALLO **FLY** A MISURA PER DOPPIO ART. **MW48SP**

FLY CUSTOMIZED CRYSTAL SHELVES FOR DOUBLE ART. **MW48SP** FORM



E' obbligatorio fotocopiare questa pagina, compilarla con cura e allegarla all'ordine.
Is compulsory to photocopy this page, carefully fill in and attach to the order.

➔➔ 1 DETTAGLI ORDINE / ORDER DETAILS

ordinante - buyer _____ cliente - client _____

ordine - order n: _____ data - date: _____ ref.: _____

annotazioni - notes _____

➔➔ 2 SCELTA ARTICOLO / ITEM CHOICE

E' importante consultare prima la scheda tecnica relativa
It's important to consult before the technical detail

art. **FY48PC**
mensola / shelf da / from **140 a / to 200 cm**

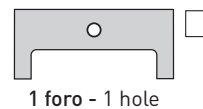
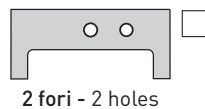
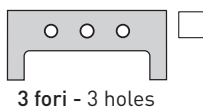
➔➔ 3 SCELTA COLORE / COLOUR SELECTION

CRISTALLO EXTRA_LIGHT
EXTRA_LIGHT CRYSTAL

bianco - white nero - black

➔➔ 4 SCELTA DETTAGLI / DETAILS SELECTION

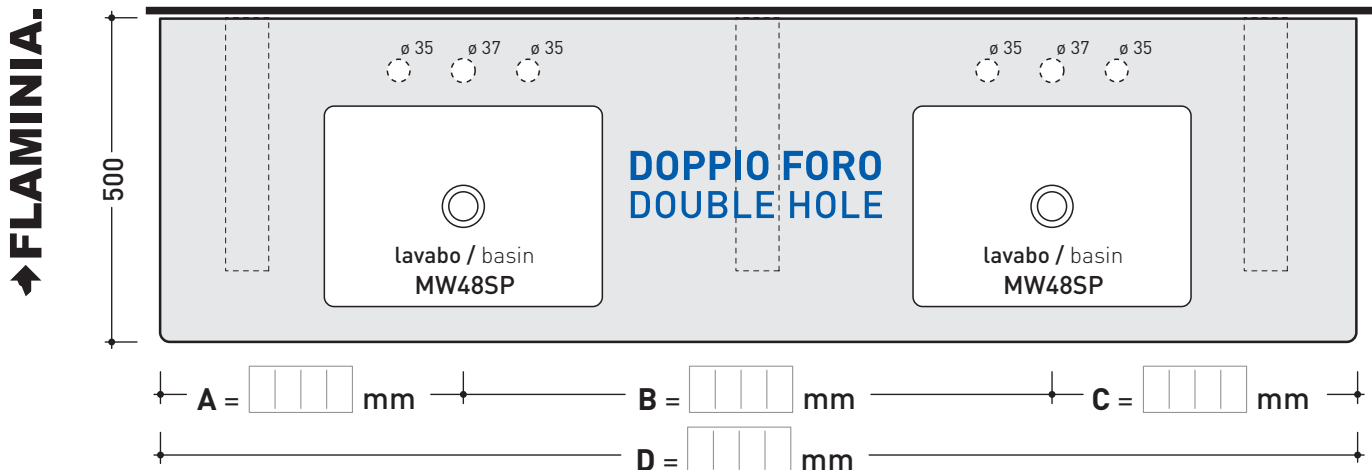
FORI RUBINETTERIA / TAP HOLES



➔➔ 5 SCELTA MISURE / MEASURES

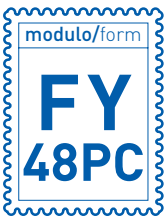
min 1400 / max 2000

min 400 / max 700 min 600 / max 1200 min 400 / max 700



- **A** = misura interasse lavabo da sinistra / left distance of basin.
- **B** = misura interasse lavabo da destra / right distance of basin.
- **C** = misura totale del piano / total length of the shelf.

- **C** = misura totale del piano / total length of the shelf.
- verificare sempre che / verify that: **A + B + C = D.**



MODULO PER LA REALIZZAZIONE DEI PIANI IN CRISTALLO **FLY** A MISURA PER DOPPIO ART. **MW48SP**
FLY CUSTOMIZED CRYSTAL SHELVES FOR DOUBLE ART. MW48SP FORM



E' obbligatorio fotocopiare questa pagina, compilarla con cura e allegarla all'ordine.
 Is compulsory to photocopy this page, carefully fill in and attach to the order.

➔➔ **1** **DETTAGLI ORDINE / ORDER DETAILS**

ordinante - buyer _____ cliente - client _____

ordine - order n: _____ data - date: _____ ref.: _____

annotazioni - notes _____

➔➔ **2** **SCelta ARTICOLO / ITEM CHOICE**

E' importante consultare prima la scheda tecnica relativa
 It's important to consult before the technical detail

art. **FY48PC**
 mensola / shelf da / from **140 a / to 200 cm**

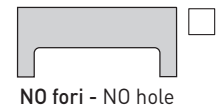
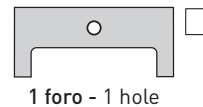
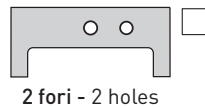
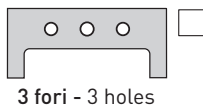
➔➔ **3** **SCelta COLORE / COLOUR SELECTION**

CRISTALLO EXTRA_LIGHT
 EXTRA_LIGHT CRYSTAL

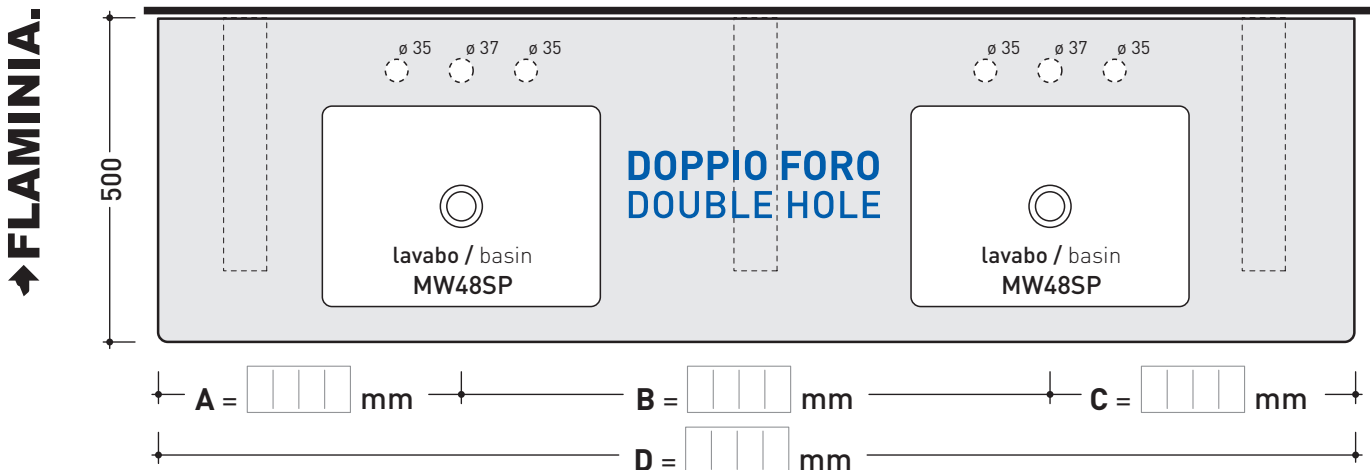
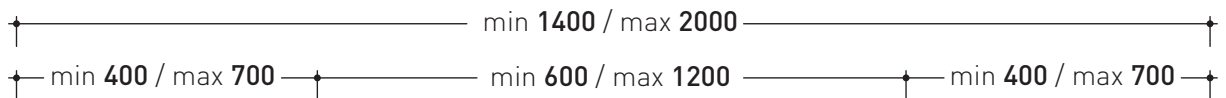
bianco - white nero - black

➔➔ **4** **SCelta DETTAGLI / DETAILS SELECTION**

FORI RUBINETTERIA / TAP HOLES



➔➔ **5** **SCelta MISURE / MEASURES**



- **A** = misura interasse lavabo da sinistra / left distance of basin.
- **B** = misura interasse lavabo da destra / right distance of basin.
- **C** = misura totale del piano / total length of the shelf.
- verificare sempre che / verify that: **A + B + C = D.**

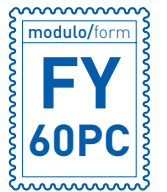
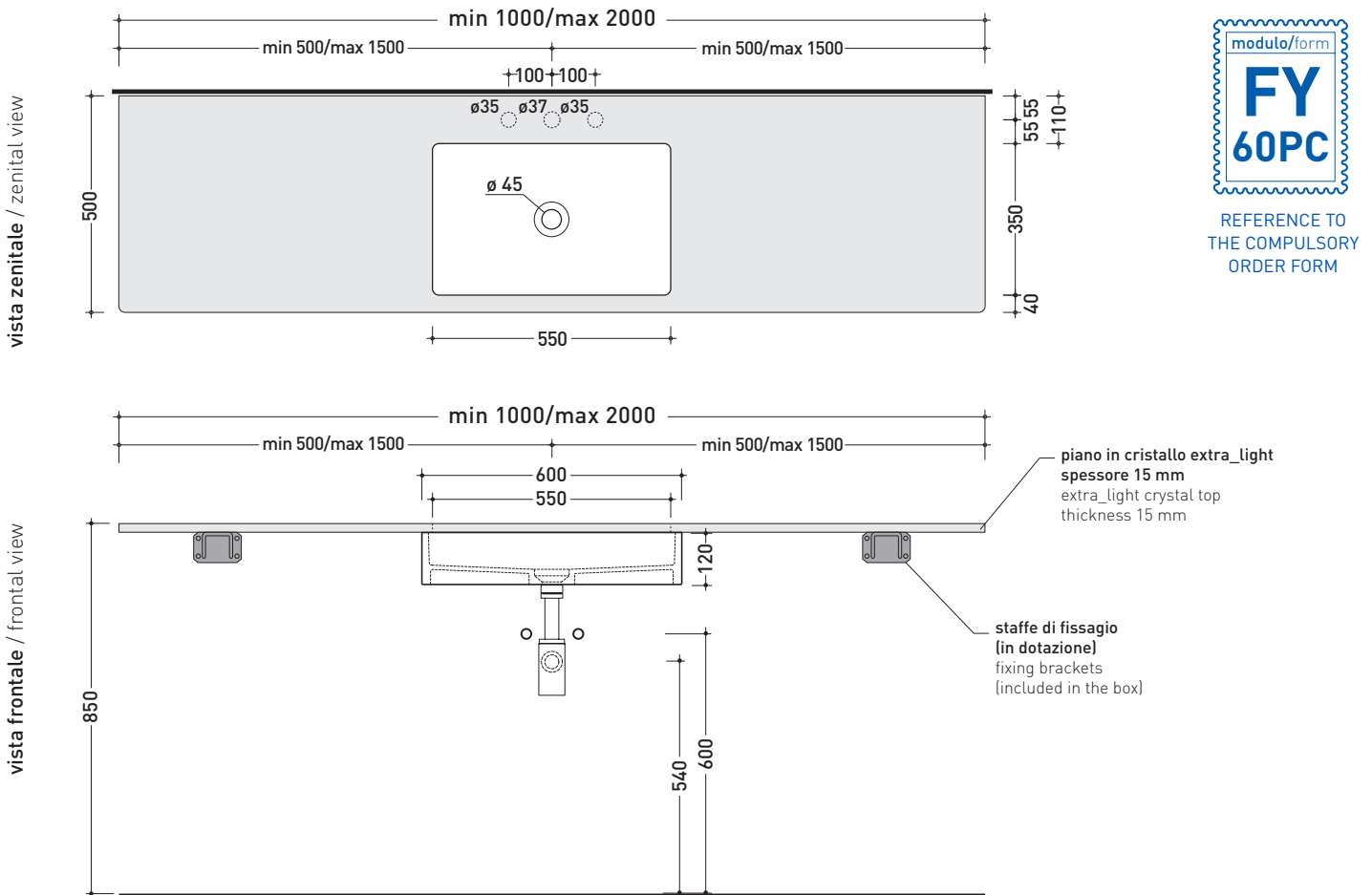
FY60PC + MW60SP

Varnished extra_light crystal top from 100 to 200 cm
suitable for Miniwash 60 under-counter basin (fixing brackets included)

Complements: **Miniwash 60 under-counter basin (MW60SP)**
Make-Up mirrors and lamps
Simple mirrors
Hot/Cold mirror (SPHC)
Left/Right mirror (SPLR)
Line mirrors (BASC20 - BASC30 - BASC40)
Taps basin line: ONE - NOKÈ - FOLD - SI - X1
Accessories line: TWO - HOOP - NOKÈ - FOLD

Technical accessories: **Chrome siphon (SIFL/CR) - Telescopic chrome siphon (SIFL066)**
Stop & Go drain (PLSG)
CERAMIC Stop & Go drain (PLCE)
Two piece set chrome tap filters (RF026)

Package dim. | Weight | Pz. Pallet n° -



REFERENCE TO
THE COMPULSORY
ORDER FORM

sizes in mm

Please consider a 2% tolerance on indicated measurements

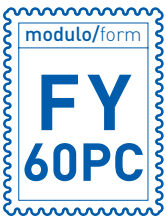
CRYSTAL: glossy finish



white



black



MODULO PER LA REALIZZAZIONE DEI PIANI IN CRISTALLO **FLY** A MISURA PER ART. **MW60SP**
FLY CUSTOMIZED CRYSTAL SHELVES FOR ART. MW60SP FORM



E' obbligatorio fotocopiare questa pagina, compilarla con cura e allegarla all'ordine.
 It is compulsory to photocopy this page, carefully fill in and attach to the order.

➔➔ **1** DETTAGLI ORDINE / ORDER DETAILS

ordinante - buyer _____ cliente - client _____

ordine - order n: _____ data - date: _____ ref.: _____

annotazioni - notes _____

➔➔ **2** SCELTA ARTICOLO / ITEM CHOICE

E' importante consultare prima la scheda tecnica relativa
 It's important to consult before the technical detail

art. **FY60PC**
 mensola / shelf da / from **100 a / to 200 cm**

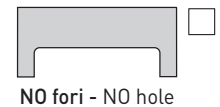
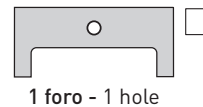
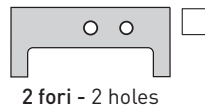
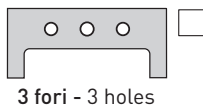
➔➔ **3** SCELTA COLORE / COLOUR SELECTION

CRISTALLO EXTRA_LIGHT
 EXTRA_LIGHT CRYSTAL

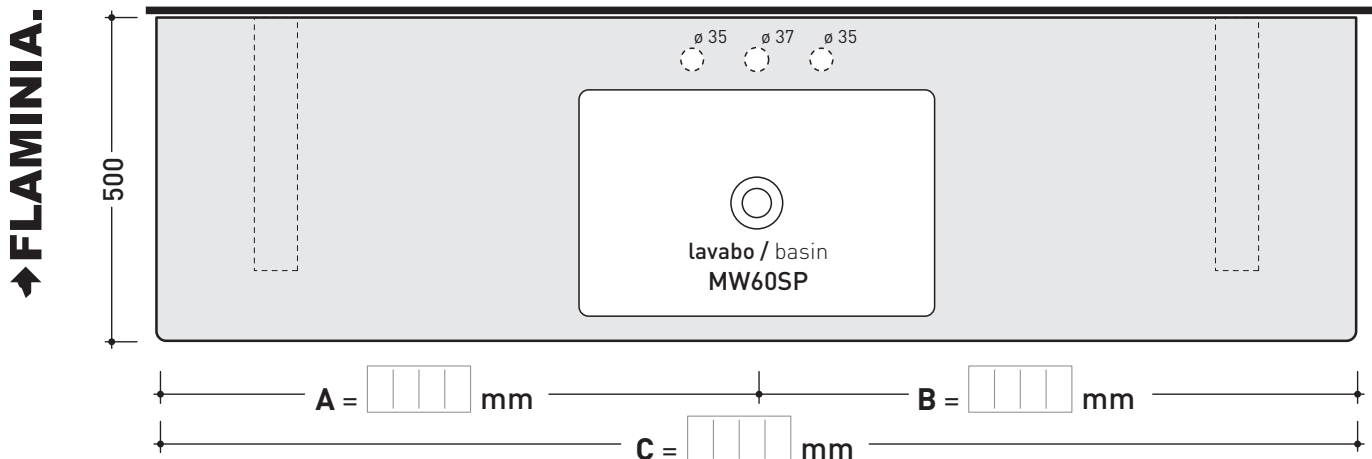
bianco - white nero - black

➔➔ **4** SCELTA DETTAGLI / DETAIL SELECTION

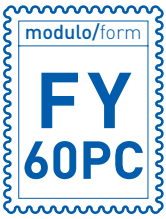
FORI RUBINETTERIA / TAP HOLES



➔➔ **5** SCELTA MISURE / MEASURES



- **A** = misura interasse lavabo da sinistra / left distance of basin.
- **B** = misura interasse lavabo da destra / right distance of basin.
- **C** = misura totale del piano / total length of the shelf.
- verificare sempre che / verify that: **A + B = C**.



MODULO PER LA REALIZZAZIONE DEI PIANI IN CRISTALLO **FLY** A MISURA PER DOPPIO ART. **MW60SP**
FLY CUSTOMIZED CRYSTAL SHELVES FOR DOUBLE ART. MW60SP FORM



E' obbligatorio fotocopiare questa pagina, compilarla con cura e allegarla all'ordine.
 It is compulsory to photocopy this page, carefully fill in and attach to the order.

➔➔ **1** **DETTAGLI ORDINE / ORDER DETAILS**

ordinante - buyer _____ cliente - client _____

ordine - order n: _____ data - date: _____ ref.: _____

annotazioni - notes _____

➔➔ **2** **SCelta ARTICOLO / ITEM CHOICE**

E' importante consultare prima la scheda tecnica relativa
 It's important to consult before the technical detail

art. **FY60PC**
 mensola / shelf da / from **180 a / to 200 cm**

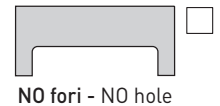
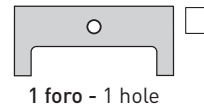
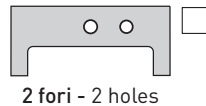
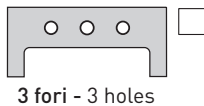
➔➔ **3** **SCelta COLORE / COLOUR SELECTION**

CRISTALLO EXTRA_LIGHT
EXTRA_LIGHT CRYSTAL

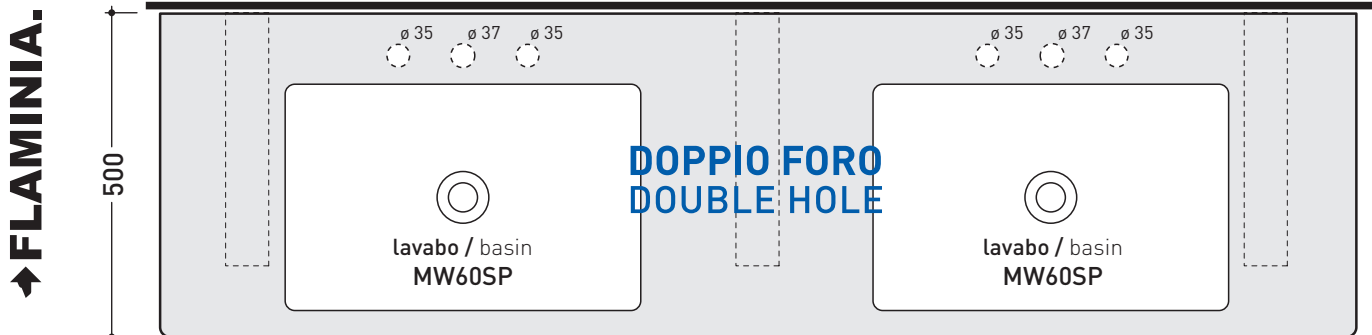
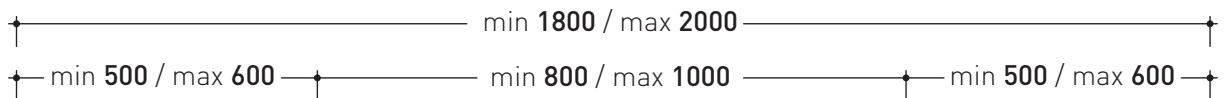
bianco - white nero - black

➔➔ **4** **SCelta DETTAGLI / DETAIL SELECTION**

FORI RUBINETTERIA / TAP HOLES



➔➔ **5** **SCelta MISURE / MEASURES**



- **A** = misura interasse lavabo da sinistra / left distance of basin.
- **B** = misura interasse lavabi / distance between basins.
- **C** = misura interasse lavabo da destra / right distance of basin.
- **D** = misura totale del piano / total length of the shelf.
- verificare sempre che / verify that: **A + B + C = D.**

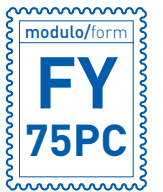
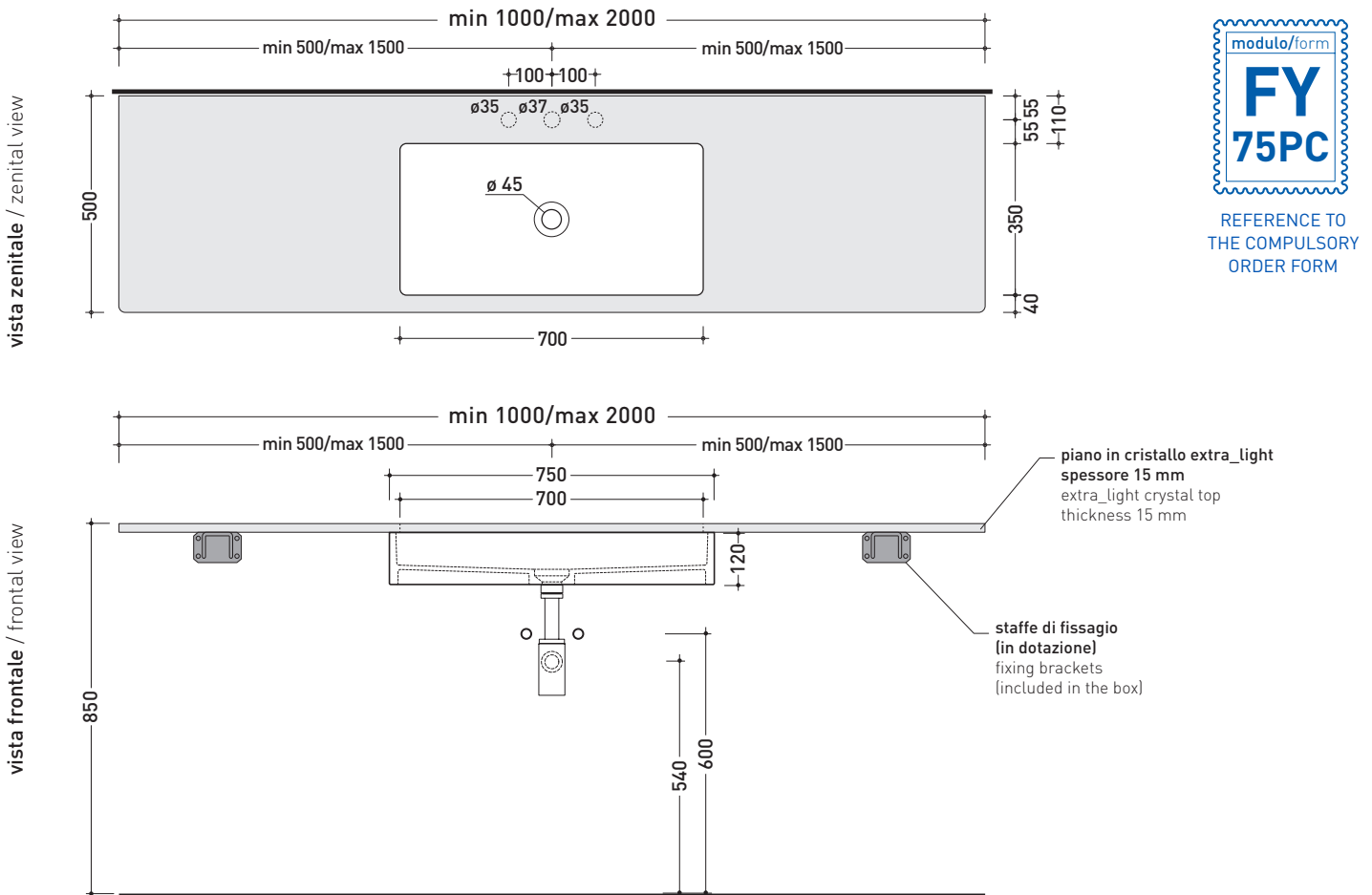
FY75PC + MW75SP

Varnished extra_light crystal top from 100 to 200 cm
suitable for Miniwash 75 under-counter basin (fixing brackets included)

Complements: **Miniwash 75 under-counter basin (MW75SP)**
Make-Up mirrors and lamps
Simple mirrors
Hot/Cold mirror (SPHC)
Left/Right mirror (SPLR)
Line mirrors (BASC20 - BASC30 - BASC40)
Taps basin line: ONE - NOKÈ - FOLD - SI - X1
Accessories line: TWO - HOOP - NOKÈ - FOLD

Technical accessories: **Chrome siphon (SIFL/CR) - Telescopic chrome siphon (SIFL066)**
Stop & Go drain (PLSG)
CERAMIC Stop & Go drain (PLCE)
Two piece set chrome tap filters (RF026)

Package dim. | Weight | Pz. Pallet n° -



REFERENCE TO
THE COMPULSORY
ORDER FORM

sizes in mm

Please consider a 2% tolerance on indicated measurements

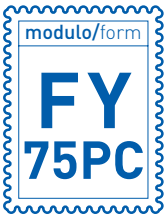
CRYSTAL: glossy finish



white



black



MODULO PER LA REALIZZAZIONE DEI PIANI IN CRISTALLO **FLY** A MISURA PER ART. **MW75SP**
FLY CUSTOMIZED CRYSTAL SHELVES FOR ART. MW75SP FORM

E' obbligatorio fotocopiare questa pagina, compilarla con cura e allegarla all'ordine.
 It is compulsory to photocopy this page, carefully fill in and attach to the order.

➔➔ **1** DETTAGLI ORDINE / ORDER DETAILS

ordinante - buyer _____ cliente - client _____

ordine - order n: _____ data - date: _____ ref.: _____

annotazioni - notes _____

➔➔ **2** SCELTA ARTICOLO / ITEM CHOICE

E' importante consultare prima la scheda tecnica relativa
 It's important to consult before the technical detail

art. **FY75PC**
 mensola / shelf da / from **100 a / to 200 cm**

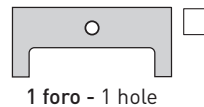
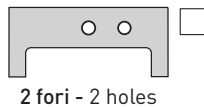
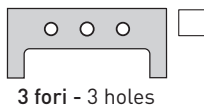
➔➔ **3** SCELTA COLORE / COLOUR SELECTION

CRISTALLO EXTRA_LIGHT
 EXTRA_LIGHT CRYSTAL

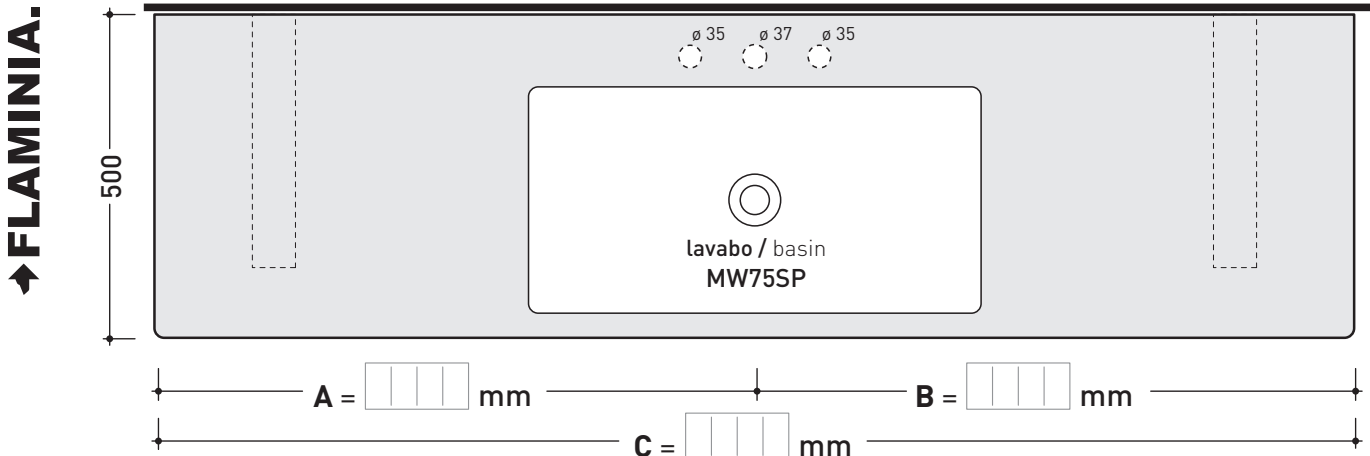
bianco - white nero - black

➔➔ **4** SCELTA DETTAGLI / DETAIL SELECTION

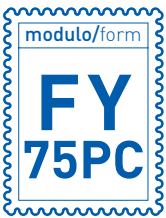
FORI RUBINETTERIA / TAP HOLES



➔➔ **5** SCELTA MISURE / MEASURES



- **A** = misura interasse lavabo da sinistra / left distance of basin.
- **B** = misura interasse lavabo da destra / right distance of basin.
- **C** = misura totale del piano / total length of the shelf.
- verificare sempre che / verify that: **A + B = C**.



MODULO PER LA REALIZZAZIONE DEI PIANI IN CRISTALLO **FLY** A MISURA PER DOPPIO ART. **MW75SP**

FLY CUSTOMIZED CRYSTAL SHELVES FOR DOUBLE ART. **MW75SP** FORM



E' obbligatorio fotocopiare questa pagina, compilarla con cura e allegarla all'ordine.
It is compulsory to photocopy this page, carefully fill in and attach to the order.

➔➔ **1**

DETTAGLI ORDINE / ORDER DETAILS

ordinante - buyer _____ cliente - client _____

ordine - order n: _____ data - date: _____ ref.: _____

annotazioni - notes _____

➔➔ **2**

SCelta ARTICOLO / ITEM CHOICE

E' importante consultare prima la scheda tecnica relativa
It's important to consult before the technical detail

art. **FY75PC**
mensola / shelf da / from **190 a** / to **200 cm**

➔➔ **3**

SCelta COLORE / COLOUR SELECTION

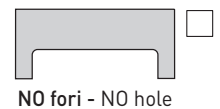
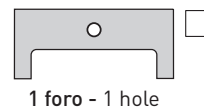
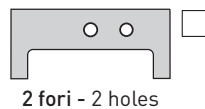
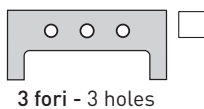
CRISTALLO EXTRA_LIGHT
EXTRA_LIGHT CRYSTAL

bianco - white nero - black

➔➔ **4**

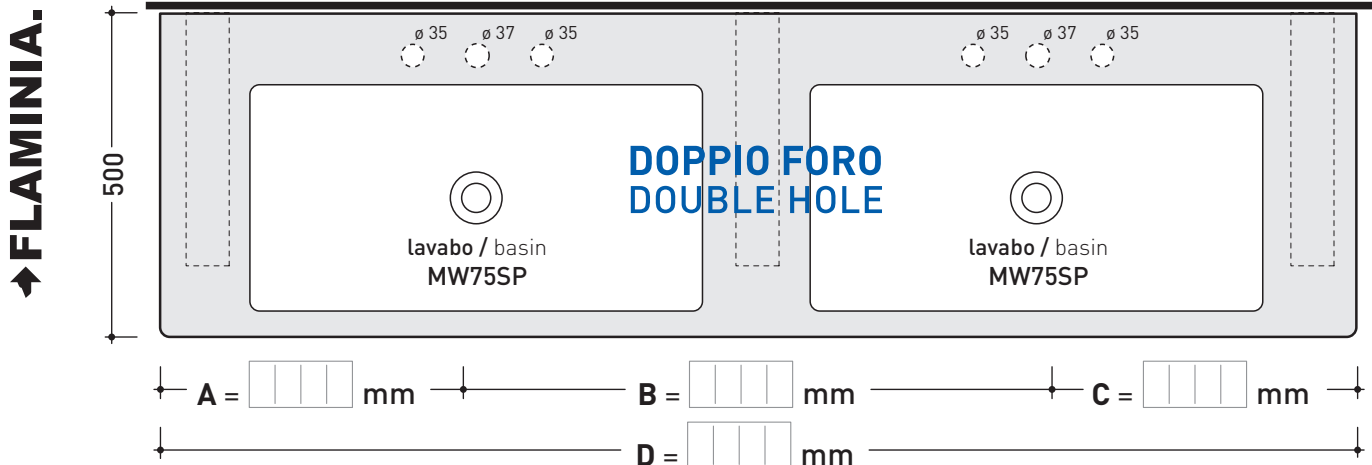
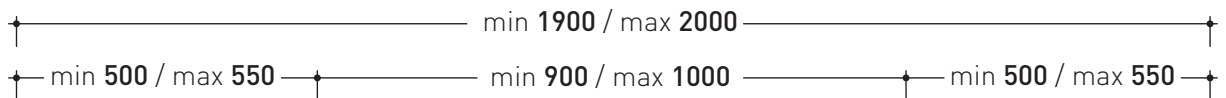
SCelta DETTAGLI / DETAIL SELECTION

FORI RUBINETTERIA / TAP HOLES



➔➔ **5**

SCelta MISURE / MEASURES



- **A** = misura interasse lavabo da sinistra / left distance of basin.
- **B** = misura interasse lavabi / distance between basins.
- **C** = misura interasse lavabo da destra / right distance of basin.
- **D** = misura totale del piano / total length of the shelf.
- verificare sempre che / verify that: **A + B + C = D.**

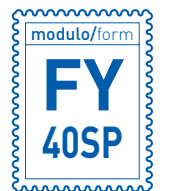
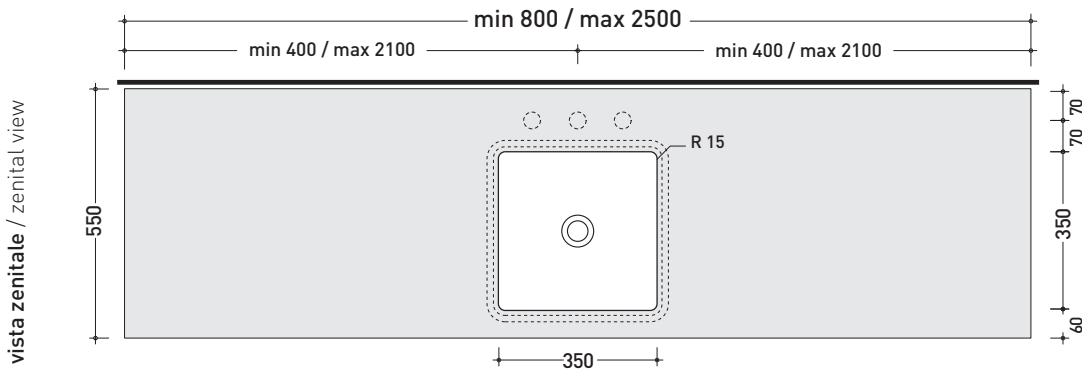
FY40SP+ MW40SP

Pietraluce shelf from 80 to 250 x 55 x h 10 cm
suitable for Miniwash 40 under-counter basin (fixing brackets included)

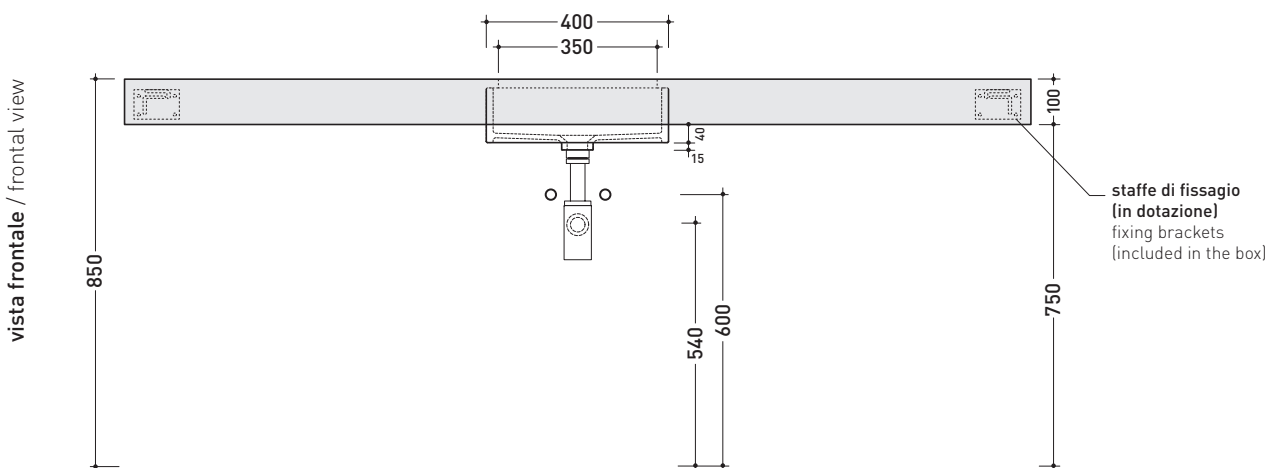
Complements: **Miniwash 40 under-counter basin (MW40SP)**
Make-Up mirrors and lamps
Simple mirrors
Hot/Cold mirror (SPHC)
Left/Right mirror (SPLR)
Line mirrors (BASC20 - BASC30 - BASC40)
Taps basin line: ONE - NOKÉ - FOLD - SI - X1
Accessories line: TWO - HOOP - NOKÉ - FOLD

Technical accessories: **Chrome siphon (SIFL/CR) - Telescopic chrome siphon (SIFL066)**
Stop & Go drain (PLSG)
CERAMIC Stop & Go drain (PLCE)
Two piece set chrome tap filters (RF026)

Package dim. | Weight | Pz. Pallet n° -



REFERENCE TO
THE COMPULSORY
ORDER FORM



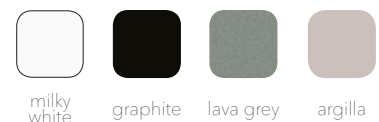
sizes in mm

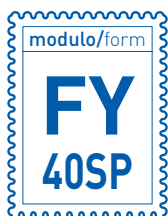
Please consider a 2% tolerance on indicated measurements

PIETRALUCE: glossy finish



matt finish





MODULO PER LA REALIZZAZIONE DELLE MENSOLE **FLYMAX** A MISURA PER ART. **MW40SP**
FLYMAX CUSTOMIZED SHELVES FOR ART. MW40SP FORM



E' obbligatorio fotocopiare questa pagina, compilarla con cura e allegarla all'ordine.
 It is compulsory to photocopy this page, carefully fill in and attach to the order.

» **1** **DETTAGLI ORDINE / ORDER DETAILS**

ordinante - buyer _____ cliente - client _____

ordine - order n: _____ data - date: _____ ref.: _____

annotazioni - notes _____

» **2** **SCELTA ARTICOLO / ITEM CHOICE**

E' importante consultare prima la scheda tecnica relativa
 It's important to consult before the technical detail

art. **FY40SP**
 mensola / shelf da / from **142 a / to 250 cm**

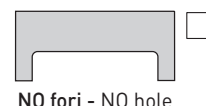
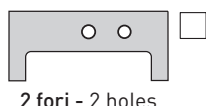
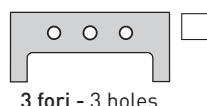
» **3** **SCELTA MATERIALE / MATERIAL SELECTION**

PIETRALUCE

- | | | | |
|---|--|--|---|
| <input type="checkbox"/> bianco - white | <input type="checkbox"/> nero - black | <input type="checkbox"/> blu ultram. - marine blue | <input type="checkbox"/> argilla - argilla |
| <input type="checkbox"/> grigio - grey | <input type="checkbox"/> sabbia - sand | <input type="checkbox"/> grafite - graphite | <input type="checkbox"/> latte - milky white |
| <input type="checkbox"/> beige - beige | <input type="checkbox"/> rosso cuoio - red | | <input type="checkbox"/> gr. lava - lava grey |

» **4** **SCELTA DETTAGLI / DETAIL SELECTION**

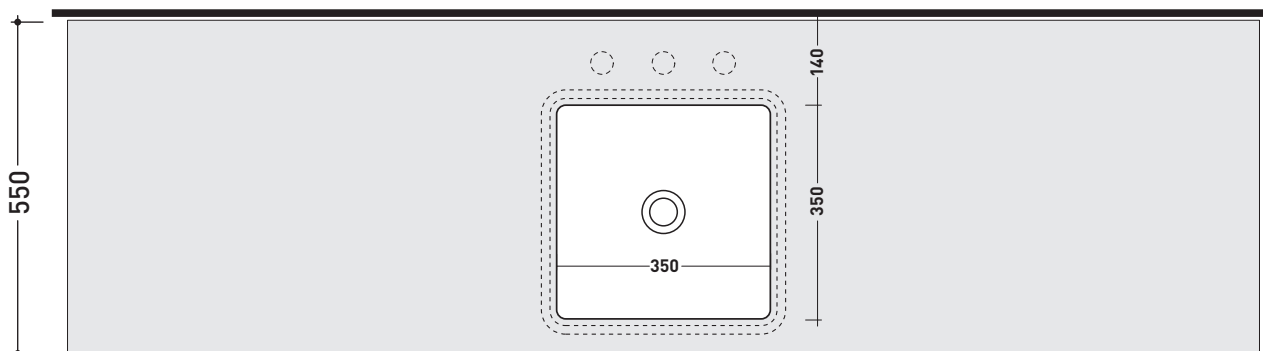
FORI RUBINETTERIA / TAP HOLES



» **5** **SCELTA MISURE / MEASURES**



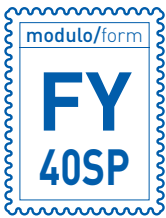
→ **FLAMINIA.**



lavabo / basin
MW40SP



• **A** = misura interasse lavabo da sinistra / left distance of basin. • **C** = misura totale della mensola / total length of the shelf.
 • **B** = misura interasse lavabo da destra / right distance of basin. • verificare sempre che / verify that: **A + B = C.**



MODULO PER LA REALIZZAZIONE DELLE MENSOLE **FLYMAX** A MISURA PER DOPPIO ART. **MW40SP**

FLYMAX CUSTOMIZED SHELVES FOR DOUBLE ART. **MW40SP** FORM



E' obbligatorio fotocopiare questa pagina, compilarla con cura e allegarla all'ordine.
It is compulsory to photocopy this page, carefully fill in and attach to the order.

➤➤ 1 DETTAGLI ORDINE / ORDER DETAILS

ordinante - buyer _____ cliente - client _____

ordine - order n: _____ data - date: _____ ref.: _____

annotazioni - notes _____

➤➤ 2 SCELTA ARTICOLO / ITEM CHOICE

E' importante consultare prima la scheda tecnica relativa
It's important to consult before the technical detail

art. **FY40SP**
mensola / shelf da / from 148 a / to 250 cm

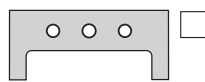
➤➤ 3 SCELTA MATERIALE / MATERIAL SELECTION

PIETRALUCE

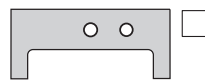
- | | | | |
|---|--|--|---|
| <input type="checkbox"/> bianco - white | <input type="checkbox"/> nero - black | <input type="checkbox"/> blu ultram. - marine blue | <input type="checkbox"/> argilla - argilla |
| <input type="checkbox"/> grigio - grey | <input type="checkbox"/> sabbia - sand | <input type="checkbox"/> grafite - graphite | <input type="checkbox"/> latte - milky white |
| <input type="checkbox"/> beige - beige | <input type="checkbox"/> rosso cuoio - red | | <input type="checkbox"/> gr. lava - lava grey |

➤➤ 4 SCELTA DETTAGLI / DETAIL SELECTION

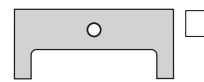
FORI RUBINETTERIA / TAP HOLES



3 fori - 3 holes



2 fori - 2 holes

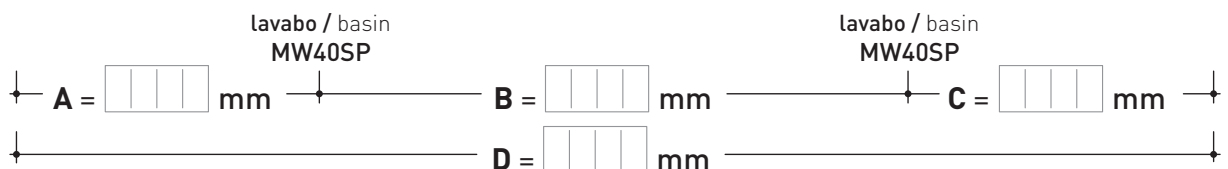
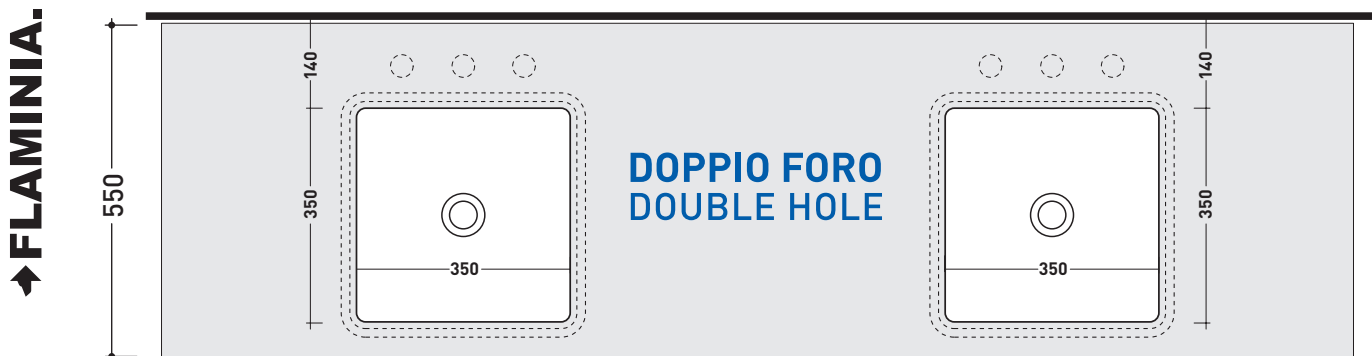
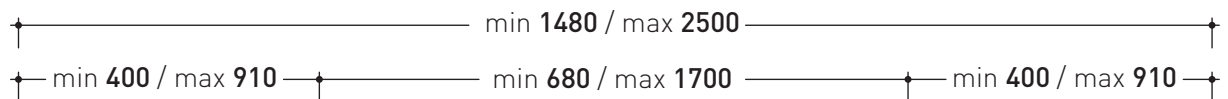


1 foro - 1 hole



NO fori - NO hole

➤➤ 5 SCELTA MISURE / MEASURES



- **A** = misura interasse lavabo da sinistra / left distance of basin.
- **B** = misura interasse lavabi / distance between basins.
- **C** = misura interasse lavabo da destra / right distance of basin.

- **D** = misura totale della mensola / total length of the shelf.
- verificare sempre che / verify that: **A + B + C = D.**

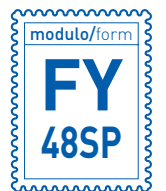
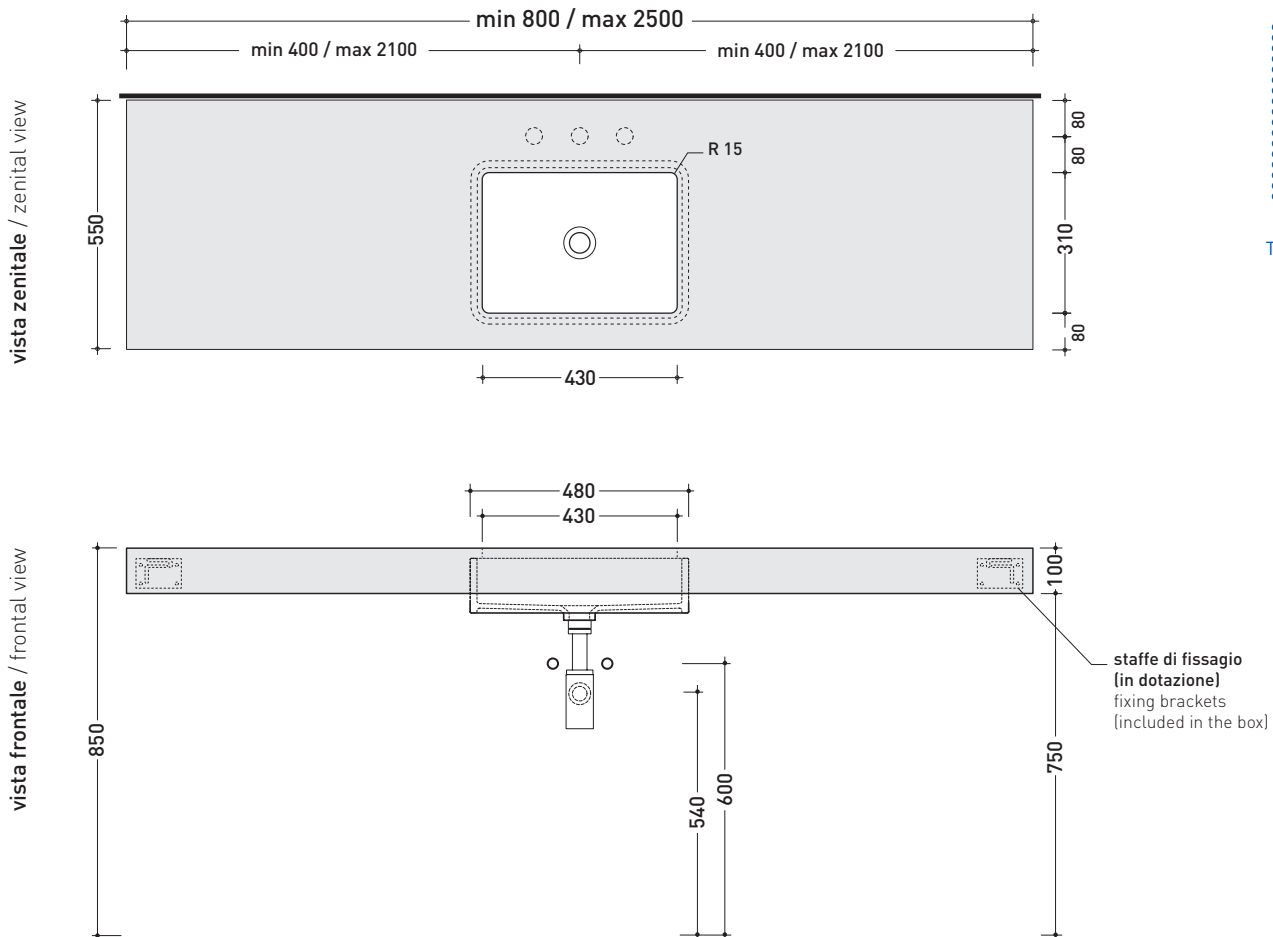
FY48SP + MW48SP

Pietraluce shelf from 80 to 250 x 55 x h 10 cm
suitable for Miniwash 48 under-counter basin (fixing brackets included)

Complements: **Miniwash 48 under-counter basin (MW48SP)**
Make-Up mirrors and lamps
Simple mirrors
Hot/Cold mirror (SPHC)
Left/Right mirror (SPLR)
Line mirrors (BASC20 - BASC30 - BASC40)
Taps basin line: ONE - NOKÉ - FOLD - SI - X1
Accessories line: TWO - HOOP - NOKÉ - FOLD

Technical accessories: **Chrome siphon (SIFL/CR) - Telescopic chrome siphon (SIFL066)**
Stop & Go drain (PLSG)
CERAMIC Stop & Go drain (PLCE)
Two piece set chrome tap filters (RF026)

Package dim. | Weight | Pz. Pallet n° -



REFERENCE TO
THE COMPULSORY
ORDER FORM

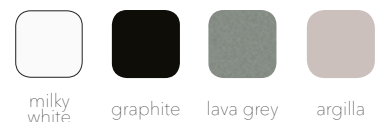
sizes in mm

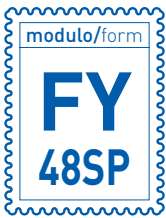
Please consider a 2% tolerance on indicated measurements

PIETRALUCE: glossy finish



matt finish





MODULO PER LA REALIZZAZIONE DELLE MENSOLE **FLYMAX** A MISURA PER ART. **MW48SP**

FLYMAX CUSTOMIZED SHELVES FOR ART. **MW48SP** FORM



E' obbligatorio fotocopiare questa pagina, compilarla con cura e allegarla all'ordine.
It is compulsory to photocopy this page, carefully fill in and attach to the order.

➔➔ 1 DETTAGLI ORDINE / ORDER DETAILS

ordinante - buyer	cliente - client
ordine - order n:	data - date:
ref.:	
annotazioni - notes	

➔➔ 2 SCELTA ARTICOLO / ITEM CHOICE

E' importante consultare prima la scheda tecnica relativa
It's important to consult before the technical detail

art. **FY48SP**
mensola / shelf da / from **80 a / to 250 cm**

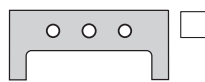
➔➔ 3 SCELTA MATERIALE / MATERIAL SELECTION

PIETRALUCE

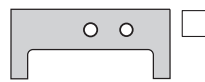
- | | | | |
|---|--|--|---|
| <input type="checkbox"/> bianco - white | <input type="checkbox"/> nero - black | <input type="checkbox"/> blu ultram. - marine blue | <input type="checkbox"/> argilla - argilla |
| <input type="checkbox"/> grigio - grey | <input type="checkbox"/> sabbia - sand | <input type="checkbox"/> grafite - graphite | <input type="checkbox"/> latte - milky white |
| <input type="checkbox"/> beige - beige | <input type="checkbox"/> rosso cuoio - red | | <input type="checkbox"/> gr. lava - lava grey |

➔➔ 4 SCELTA DETTAGLI / DETAIL SELECTION

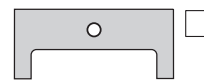
FORI RUBINETTERIA / TAP HOLES



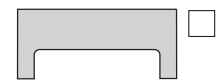
3 fori - 3 holes



2 fori - 2 holes

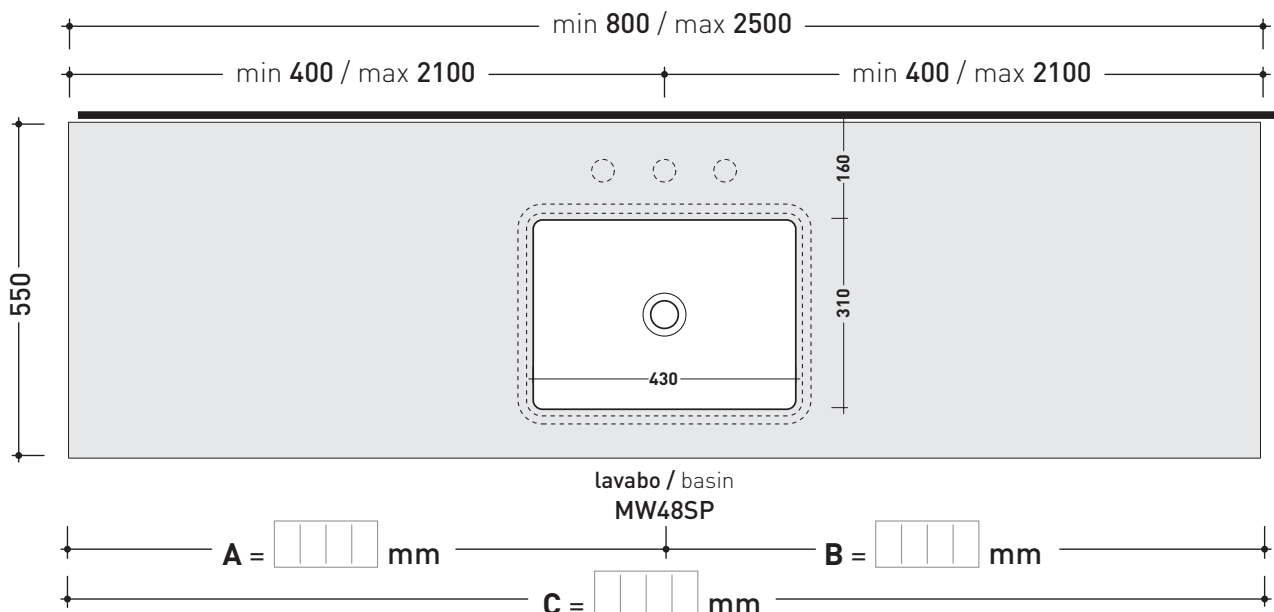


1 foro - 1 hole



NO fori - NO hole

➔➔ 5 SCELTA MISURE / MEASURES



- **A** = misura interasse lavabo da sinistra / left distance of basin.
- **B** = misura interasse lavabo da destra / right distance of basin.
- **C** = misura totale della mensola / total length of the shelf.
- verificare sempre che / verify that: **A + B = C**.



MODULO PER LA REALIZZAZIONE DELLE MENSOLE **FLYMAX** A MISURA PER DOPPIO ART. **MW48SP**

FLYMAX CUSTOMIZED SHELVES FOR DOUBLE ART. MW48SP FORM



E' obbligatorio fotocopiare questa pagina, compilarla con cura e allegarla all'ordine.
It is compulsory to photocopy this page, carefully fill in and attach to the order.

➔➔ **1** DETTAGLI ORDINE / ORDER DETAILS

ordinante - buyer _____ cliente - client _____

ordine - order n: _____ data - date: _____ ref.: _____

annotazioni - notes _____

➔➔ **2** SCELTA ARTICOLO / ITEM CHOICE

E' importante consultare prima la scheda tecnica relativa
It's important to consult before the technical detail

art. **FY48SP**
mensola / shelf da / from **148 a / to 250 cm**

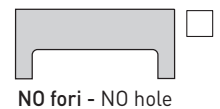
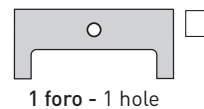
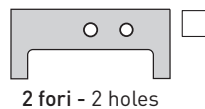
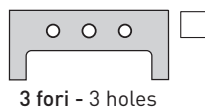
➔➔ **3** SCELTA MATERIALE / MATERIAL SELECTION

PIETRALUCE

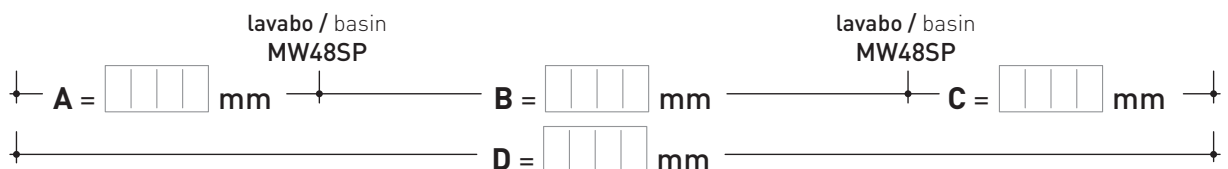
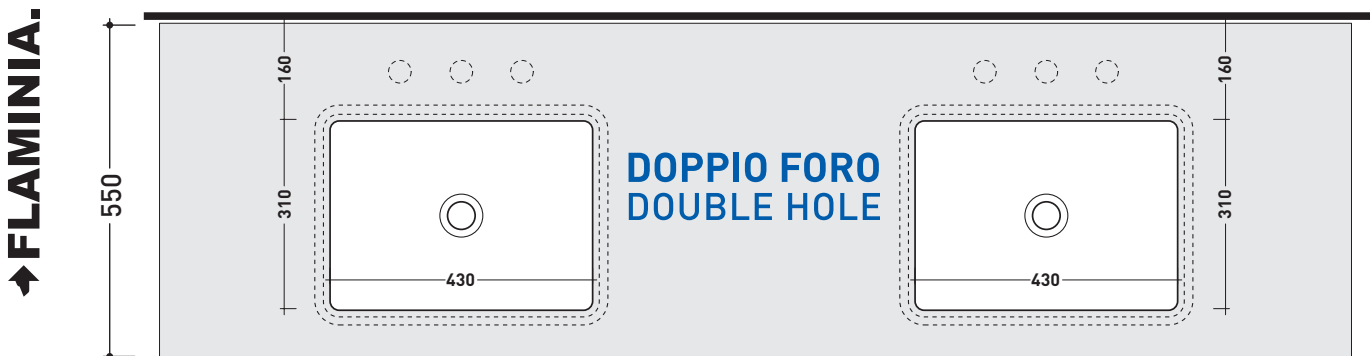
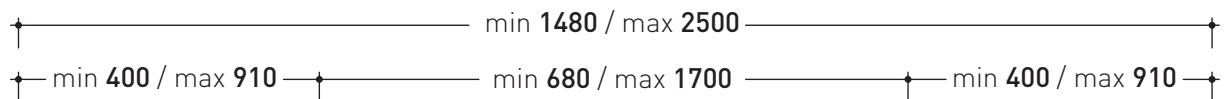
- | | | | |
|---|--|--|---|
| <input type="checkbox"/> bianco - white | <input type="checkbox"/> nero - black | <input type="checkbox"/> blu ultram. - marine blue | <input type="checkbox"/> argilla - argilla |
| <input type="checkbox"/> grigio - grey | <input type="checkbox"/> sabbia - sand | <input type="checkbox"/> grafite - graphite | <input type="checkbox"/> latte - milky white |
| <input type="checkbox"/> beige - beige | <input type="checkbox"/> rosso cuoio - red | | <input type="checkbox"/> gr. lava - lava grey |

➔➔ **4** SCELTA DETTAGLI / DETAIL SELECTION

FORI RUBINETTERIA / TAP HOLES



➔➔ **5** SCELTA MISURE / MEASURES



- A = misura interasse lavabo da sinistra / left distance of basin.
- B = misura interasse lavabi / distance between basins.
- C = misura interasse lavabo da destra / right distance of basin.
- D = misura totale della mensola / total length of the shelf.
- verificare sempre che / verify that: **A + B + C = D.**

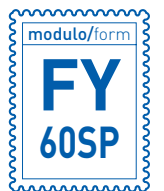
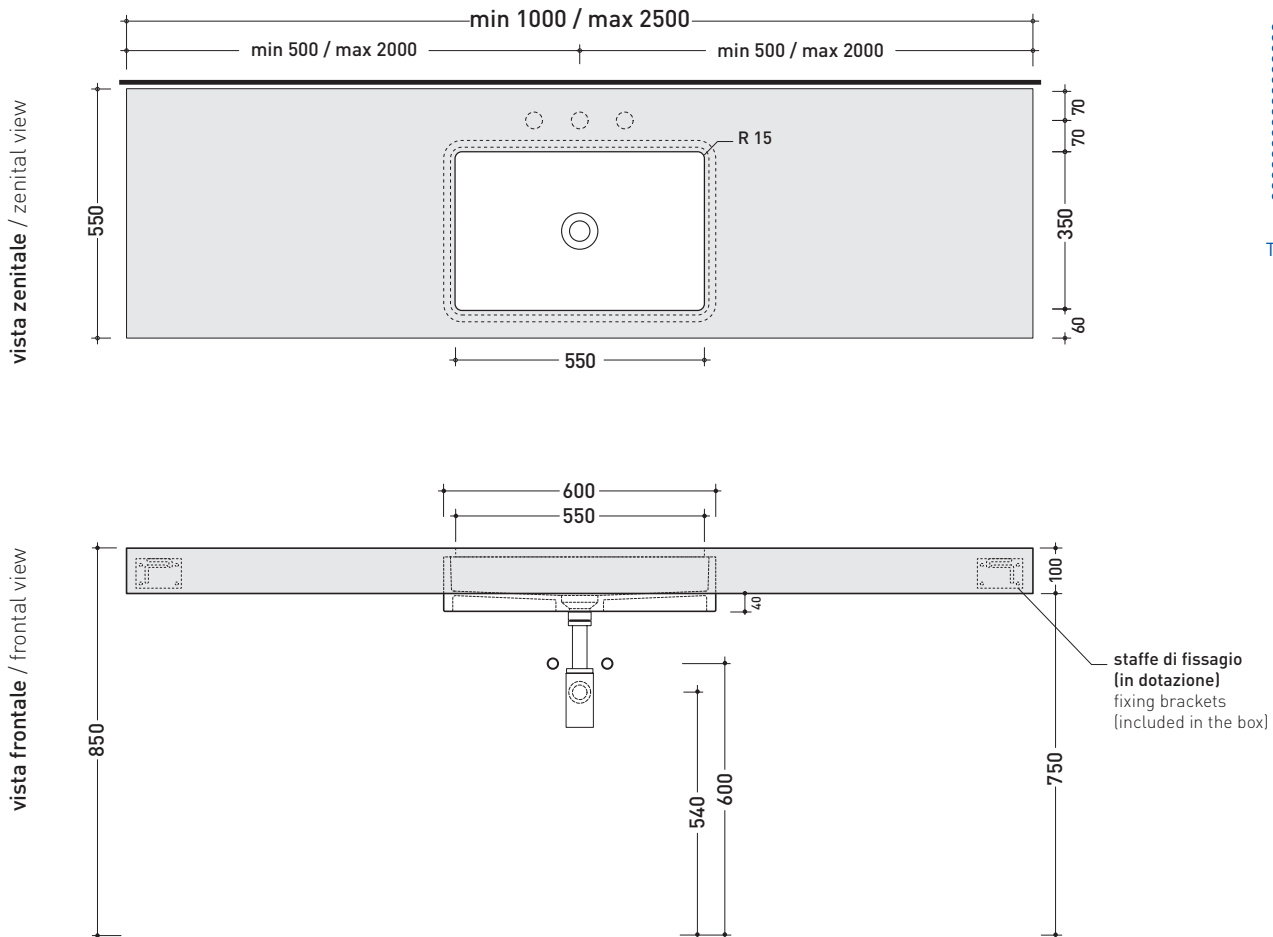
FY60SP + MW60SP

Pietraluce shelf from 100 to 250 x 55 x h 10 cm
suitable for Miniwash 60 under-counter basin (fixing brackets included)

Complements: **Miniwash 60 under-counter basin (MW60SP)**
Make-Up mirrors and lamps
Simple mirrors
Hot/Cold mirror (SPHC)
Left/Right mirror (SPLR)
Line mirrors (BASC20 - BASC30 - BASC40)
Taps basin line: ONE - NOKÉ - FOLD - SI - X1
Accessories line: TWO - HOOP - NOKÉ - FOLD

Technical accessories: **Chrome siphon (SIFL/CR) - Telescopic chrome siphon (SIFL066)**
Stop & Go drain (PLSG)
CERAMIC Stop & Go drain (PLCE)
Two piece set chrome tap filters (RF026)

Package dim. | Weight | Pz. Pallet n° -



REFERENCE TO
THE COMPULSORY
ORDER FORM

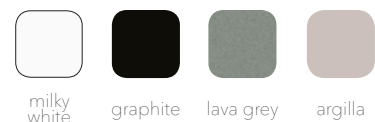
sizes in mm

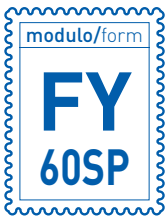
Please consider a 2% tolerance on indicated measurements

PIETRALUCE: glossy finish



matt finish





MODULO PER LA REALIZZAZIONE DELLE MENSOLE **FLYMAX** A MISURA PER ART. **MW60SP**

FLYMAX CUSTOMIZED SHELVES FOR ART. **MW60SP** FORM



E' obbligatorio fotocopiare questa pagina, compilarla con cura e allegarla all'ordine.
It is compulsory to photocopy this page, carefully fill in and attach to the order.

» 1 DETTAGLI ORDINE / ORDER DETAILS

ordinante - buyer

cliente - client

ordine - order n:

data - date:

ref.:

annotazioni - notes

» 2 SCELTA ARTICOLO / ITEM CHOICE

E' importante consultare prima la scheda tecnica relativa
It's important to consult before the technical detail

art. **FY60SP**

mensola / shelf da / from 100 a / to 250 cm

» 3 SCELTA MATERIALE / MATERIAL SELECTION

PIETRALUCE

bianco - white

nero - black

blu ultram. - marine blue

argilla - argilla

grigio - grey

sabbia - sand

grafite - graphite

latte - milky white

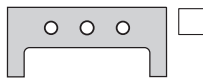
beige - beige

rosso cuoio - red

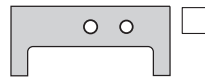
gr. lava - lava grey

» 4 SCELTA DETTAGLI / DETAIL SELECTION

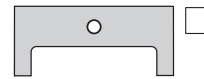
FORI RUBINETTERIA / TAP HOLES



3 fori - 3 holes



2 fori - 2 holes

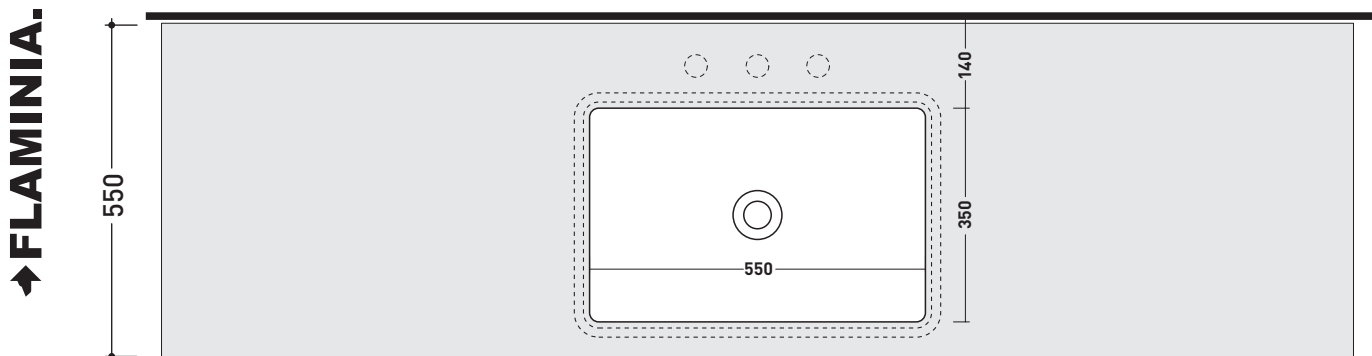


1 foro - 1 hole



NO fori - NO hole

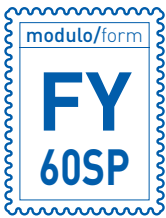
» 5 SCELTA MISURE / MEASURES



lavabo / basin
MW60SP



- **A** = misura interasse lavabo da sinistra / left distance of basin.
- **B** = misura interasse lavabo da destra / right distance of basin.
- **C** = misura totale della mensola / total length of the shelf.
- verificare sempre che / verify that: **A + B = C**.



MODULO PER LA REALIZZAZIONE DELLE MENSOLE **FLYMAX** A MISURA PER DOPPIO ART. **MW60SP**

FLYMAX CUSTOMIZED SHELVES FOR DOUBLE ART. **MW60SP** FORM



E' obbligatorio fotocopiare questa pagina, compilarla con cura e allegarla all'ordine.
It is compulsory to photocopy this page, carefully fill in and attach to the order.

➔➔ **1** DETTAGLI ORDINE / ORDER DETAILS

ordinante - buyer _____ cliente - client _____

ordine - order n: _____ data - date: _____ ref.: _____

annotazioni - notes _____

➔➔ **2** SCELTA ARTICOLO / ITEM CHOICE

E' importante consultare prima la scheda tecnica relativa
It's important to consult before the technical detail

art. **FY60SP**
mensola / shelf da / from **180 a / to 250 cm**

➔➔ **3** SCELTA MATERIALE / MATERIAL SELECTION

PIETRALUCE

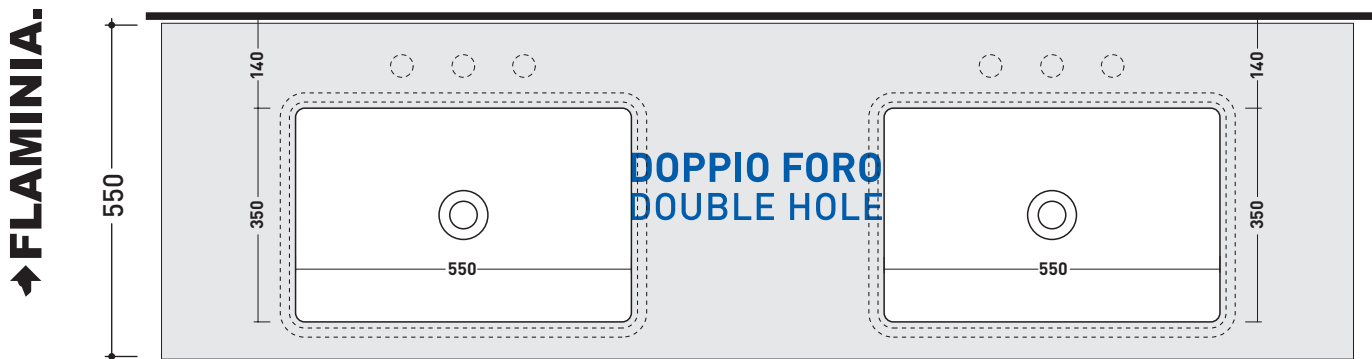
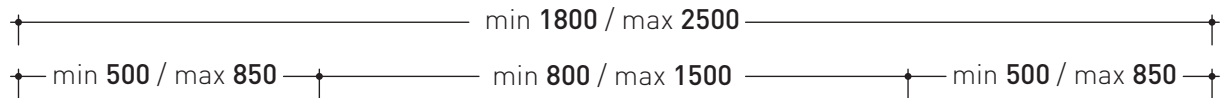
- | | | | |
|---|--|--|---|
| <input type="checkbox"/> bianco - white | <input type="checkbox"/> nero - black | <input type="checkbox"/> blu ultram. - marine blue | <input type="checkbox"/> argilla - argilla |
| <input type="checkbox"/> grigio - grey | <input type="checkbox"/> sabbia - sand | <input type="checkbox"/> grafite - graphite | <input type="checkbox"/> latte - milky white |
| <input type="checkbox"/> beige - beige | <input type="checkbox"/> rosso cuoio - red | | <input type="checkbox"/> gr. lava - lava grey |

➔➔ **4** SCELTA DETTAGLI / DETAIL SELECTION

FORI RUBINETTERIA / TAP HOLES



➔➔ **5** SCELTA MISURE / MEASURES



lavabo / basin MW60SP lavabo / basin MW60SP

A = mm B = mm C = mm

D = mm

- A = misura interasse lavabo da sinistra / left distance of basin.
- B = misura interasse lavabi / distance between basins.
- C = misura interasse lavabo da destra / right distance of basin.
- D = misura totale della mensola / total length of the shelf.
- verificare sempre che / verify that: **A + B + C = D.**

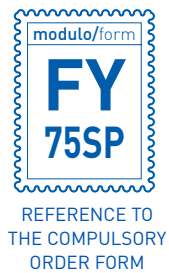
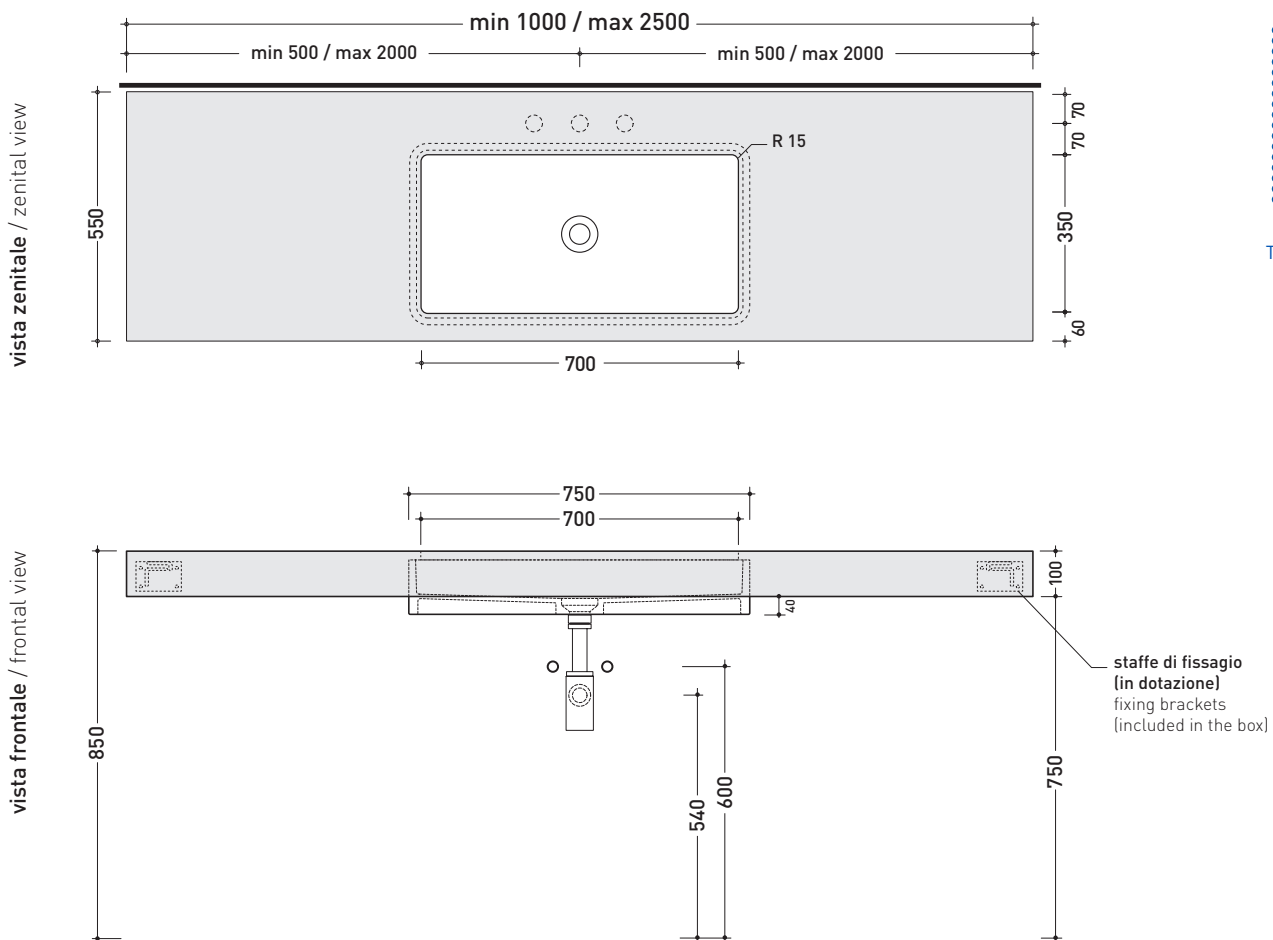
FY75SP + MW75SP

Pietraluce shelf from 100 to 250 x 55 x h 10 cm
suitable for Miniwash 75 under-counter basin (fixing brackets included)

Complements: **Miniwash 75 under-counter basin (MW75SP)**
Make-Up mirrors and lamps
Simple mirrors
Hot/Cold mirror (SPHC)
Left/Right mirror (SPLR)
Line mirrors (BASC20 - BASC30 - BASC40)
Taps basin line: ONE - NOKÉ - FOLD - SI - X1
Accessories line: TWO - HOOP - NOKÉ - FOLD

Technical accessories: **Chrome siphon (SIFL/CR) - Telescopic chrome siphon (SIFL066)**
Stop & Go drain (PLSG)
CERAMIC Stop & Go drain (PLCE)
Two piece set chrome tap filters (RF026)

Package dim. | Weight | Pz. Pallet n° -



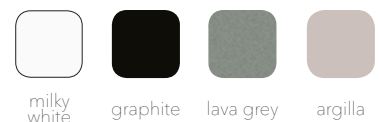
sizes in mm

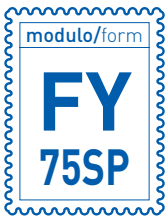
Please consider a 2% tolerance on indicated measurements

PIETRALUCE: glossy finish



matt finish





MODULO PER LA REALIZZAZIONE DELLE MENSOLE **FLYMAX** A MISURA PER ART. **MW75SP**

FLYMAX CUSTOMIZED SHELVES FOR ART. **MW75SP** FORM



E' obbligatorio fotocopiare questa pagina, compilarla con cura e allegarla all'ordine.
It is compulsory to photocopy this page, carefully fill in and attach to the order.

➔➔ **1**

DETTAGLI ORDINE / ORDER DETAILS

ordinante - buyer _____ cliente - client _____

ordine - order n: _____ data - date: _____ ref.: _____

annotazioni - notes _____

➔➔ **2**

SCELTA ARTICOLO / ITEM CHOICE

E' importante consultare prima la scheda tecnica relativa
It's important to consult before the technical detail

art. **FY75SP**
mensola / shelf da / from **100 a / to 250 cm**

➔➔ **3**

SCELTA MATERIALE / MATERIAL SELECTION

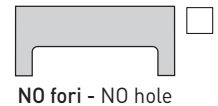
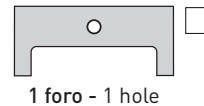
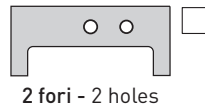
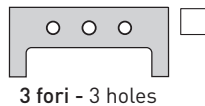
PIETRALUCE

- | | | | |
|---|--|--|---|
| <input type="checkbox"/> bianco - white | <input type="checkbox"/> nero - black | <input type="checkbox"/> blu ultram. - marine blue | <input type="checkbox"/> argilla - argilla |
| <input type="checkbox"/> grigio - grey | <input type="checkbox"/> sabbia - sand | <input type="checkbox"/> grafite - graphite | <input type="checkbox"/> latte - milky white |
| <input type="checkbox"/> beige - beige | <input type="checkbox"/> rosso cuoio - red | | <input type="checkbox"/> gr. lava - lava grey |

➔➔ **4**

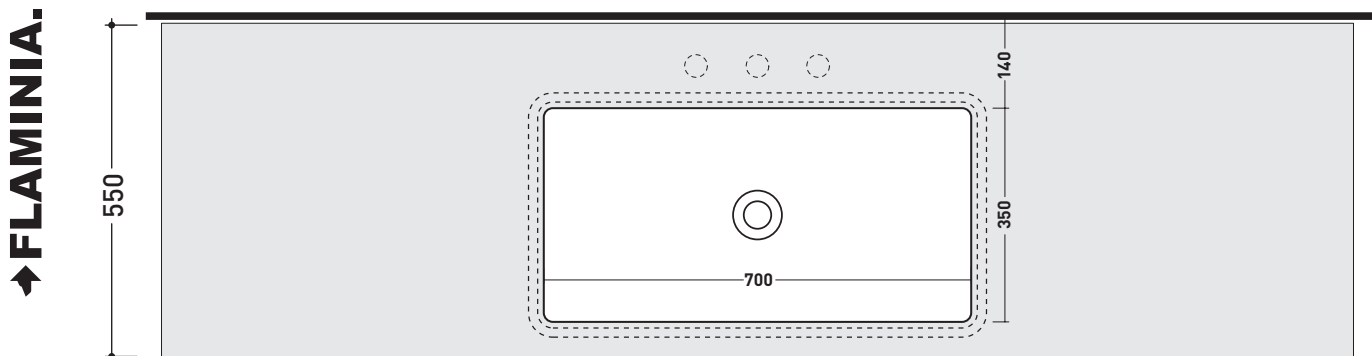
SCELTA DETTAGLI / DETAIL SELECTION

FORI RUBINETTERIA / TAP HOLES



➔➔ **5**

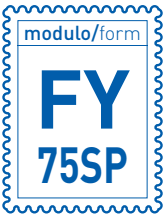
SCELTA MISURE / MEASURES



lavabo / basin
MW75SP



- **A** = misura interasse lavabo da sinistra / left distance of basin.
- **B** = misura interasse lavabo da destra / right distance of basin.
- **C** = misura totale della mensola / total length of the shelf.
- verificare sempre che / verify that: **A + B = C**.



MODULO PER LA REALIZZAZIONE DELLE MENSOLE **FLYMAX** A MISURA PER DOPPIO ART. **MW75SP**

FLYMAX CUSTOMIZED SHELVES FOR DOUBLE ART. **MW75SP** FORM



E' obbligatorio fotocopiare questa pagina, compilarla con cura e allegarla all'ordine.
It is compulsory to photocopy this page, carefully fill in and attach to the order.

➤➤ 1 DETTAGLI ORDINE / ORDER DETAILS

ordinante - buyer _____ cliente - client _____

ordine - order n: _____ data - date: _____ ref.: _____

annotazioni - notes _____

➤➤ 2 SCELTA ARTICOLO / ITEM CHOICE

E' importante consultare prima la scheda tecnica relativa
It's important to consult before the technical detail

art. **FY75SP**
mensola / shelf da / from 190 a / to 250 cm

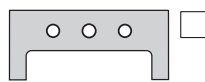
➤➤ 3 SCELTA MATERIALE / MATERIAL SELECTION

PIETRALUCE

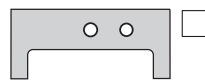
- | | | | |
|---|--|--|---|
| <input type="checkbox"/> bianco - white | <input type="checkbox"/> nero - black | <input type="checkbox"/> blu ultram. - marine blue | <input type="checkbox"/> argilla - argilla |
| <input type="checkbox"/> grigio - grey | <input type="checkbox"/> sabbia - sand | <input type="checkbox"/> grafite - graphite | <input type="checkbox"/> latte - milky white |
| <input type="checkbox"/> beige - beige | <input type="checkbox"/> rosso cuoio - red | | <input type="checkbox"/> gr. lava - lava grey |

➤➤ 4 SCELTA DETTAGLI / DETAIL SELECTION

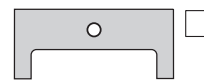
FORI RUBINETTERIA / TAP HOLES



3 fori - 3 holes



2 fori - 2 holes

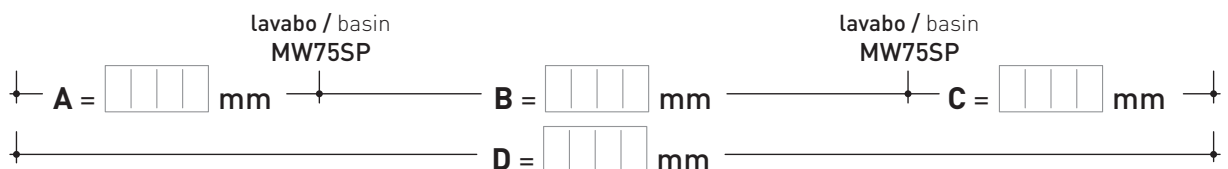
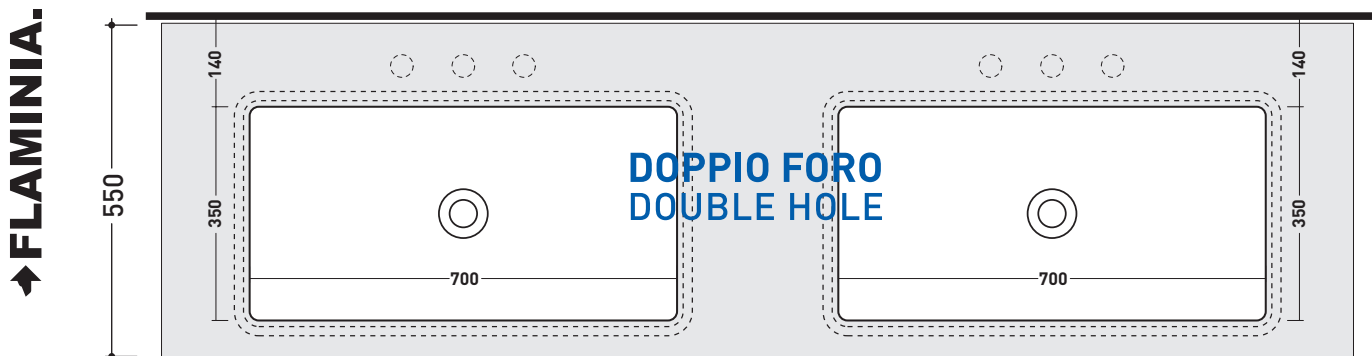
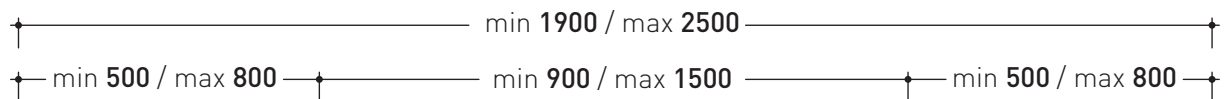


1 foro - 1 hole



NO fori - NO hole

➤➤ 5 SCELTA MISURE / MEASURES



- A = misura interasse lavabo da sinistra / left distance of basin.
- B = misura interasse lavabi / distance between basins.
- C = misura interasse lavabo da destra / right distance of basin.
- D = misura totale della mensola / total length of the shelf.
- verificare sempre che / verify that: **A + B + C = D.**