

design **LORENZO DAMIANI**

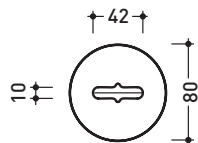
2010

FLPF

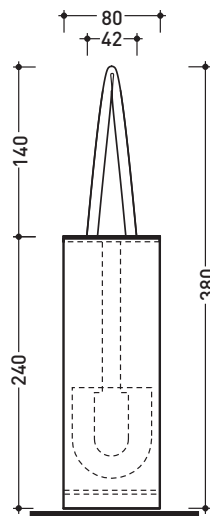
Toilet brush holder

Complements: **Line taps FOLD**

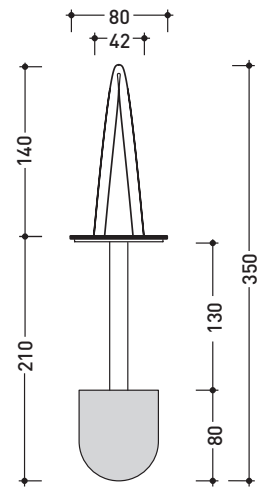
Package dim. **50 x 13 x 14 cm** | Weight **1,4 kg** | Pz. Pallet n° -



vista zenitale / zenital view



vista frontale / frontal view



scopino / toilet brush

sizes in mm

BRASS: glossy finish



chrome

design **LORENZO DAMIANI**

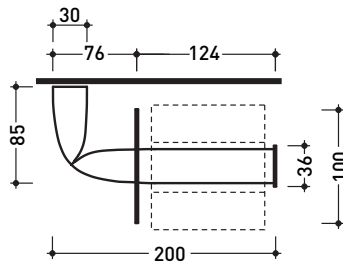
2010

FLPR

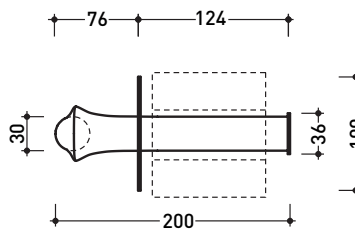
Paper holder

Complements: **Line taps FOLD**

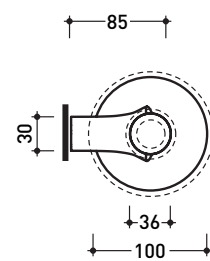
Package dim. **23 x 12 x 12 cm** | Weight **0,7 kg** | Pz. Pallet n° -



vista zenitale / zenital view



vista frontale / frontal view



vista laterale / lateral view

sizes in mm

BRASS: glossy finish



chrome

<http://www.ceramicaflaminia.it/en/products/289-fold>

©ceramicaflaminiaspa - All rights reserved. Unauthorized copying, publication, reproduction as well as partial reproduction are prohibited

june 2019



Ceramics of Italy

design **LORENZO DAMIANI**

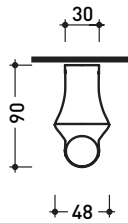
2010

FLPA

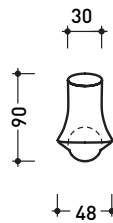
Towel hook

Complements: **Line taps FOLD**

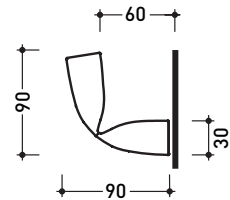
Package dim. **14 x 8 x 12 cm** | Weight **0,2 kg** | Pz. Pallet n° -



vista zenitale / zenital view



vista frontale / frontal view



vista laterale / lateral view

sizes in mm

BRASS: glossy finish



chrome

<http://www.ceramicaflaminia.it/en/products/289-fold>

©ceramicaflaminiaspa - All rights reserved. Unauthorized copying, publication, reproduction as well as partial reproduction are prohibited

june 2019



design **LORENZO DAMIANI**

2010

FL30

Towel holder 30 cm

Package dim. **32 x 8 x 10 cm** | Weight **0,5 kg** | Pz. Pallet n° -

FL45

Towel holder 45 cm

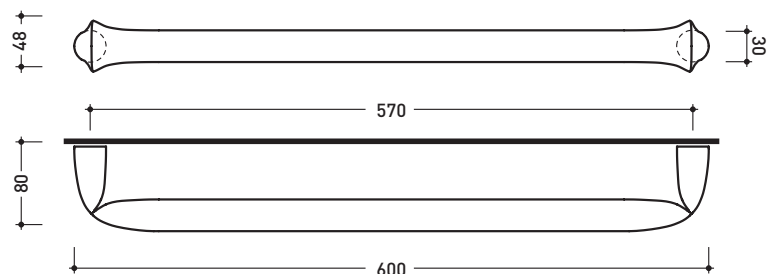
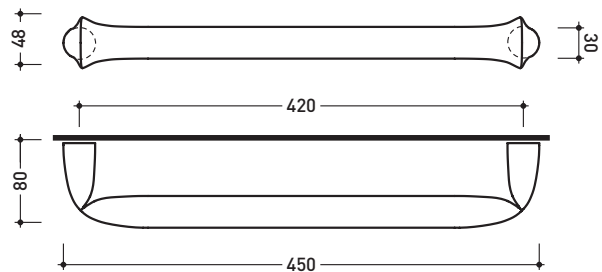
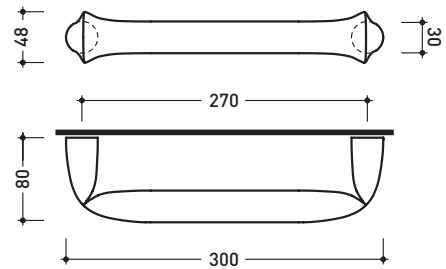
Package dim. **47 x 8 x 10 cm** | Weight **0,6 kg** | Pz. Pallet n° -

FL45

Towel holder 60 cm

Package dim. **62 x 8 x 10 cm** | Weight **0,8 kg** | Pz. Pallet n° -

Complements: **Line taps FOLD**



sizes in mm

BRASS: glossy finish



chrome

<http://www.ceramicaflaminia.it/en/products/289-fold>

©ceramicaflaminiaspa - All rights reserved. Unauthorized copying, publication, reproduction as well as partial reproduction are prohibited

june 2019



Fold

design **LORENZO DAMIANI**

2013

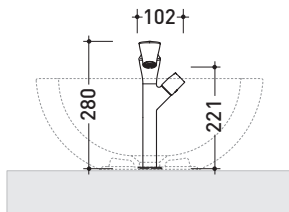
FL3055

High single lever basin mixer (stop&go drain included)

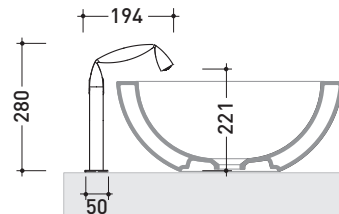
Complements: **Line accessories FOLD**

Package dim. **19 x 19 x 12 cm** | Weight **1,8 kg** | Pz. Pallet n° -

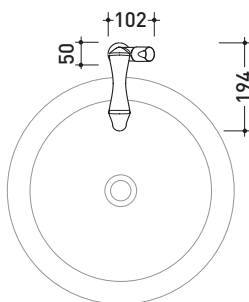
➔ **FLAMINIA.**



vista frontale / frontal view



vista laterale / lateral view



vista zenitale / zenital view

sizes in mm

BRASS: glossy finish



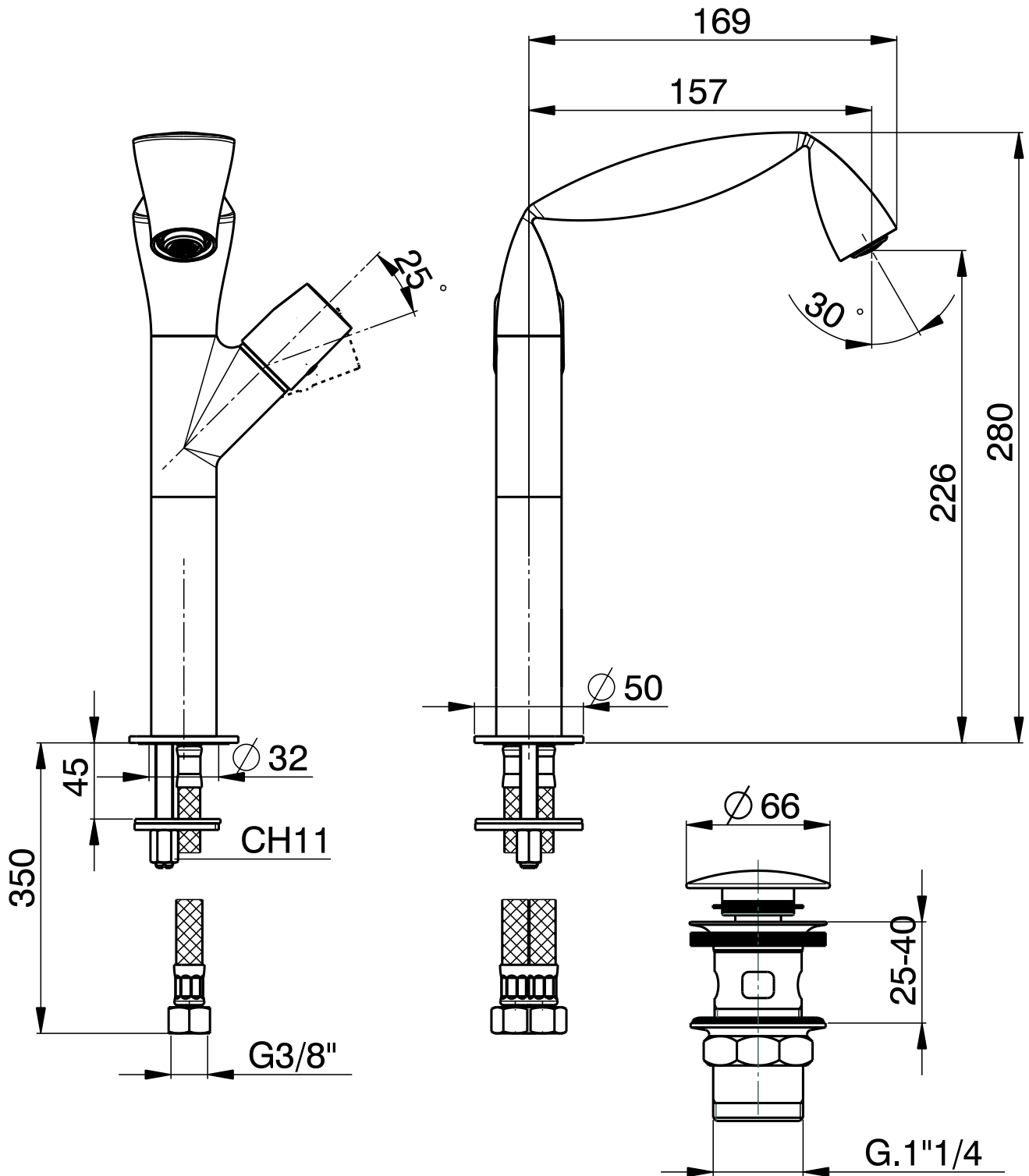
chrome

<http://www.ceramicaflaminia.it/en/products/289-fold>

©ceramicaflaminiaspa - All rights reserved. Unauthorized copying, publication, reproduction as well as partial reproduction are prohibited

june 2019





Fold

→ FLAMINIA.

design **LORENZO DAMIANI**

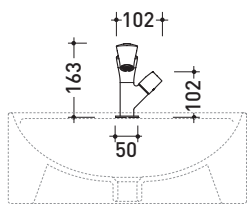
2013

FL3050

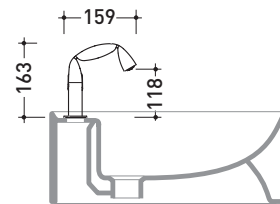
Single lever basin mixer (stop&go drain included)

Complements: **Line accessories FOLD**

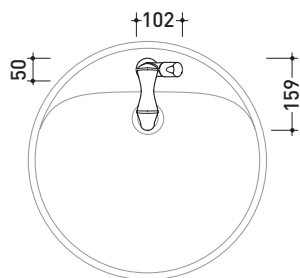
Package dim. **19 x 19 x 12 cm** | Weight **1,7 kg** | Pz. Pallet n° -



vista frontale / frontal view



vista laterale / lateral view



vista zenitale / zenital view

sizes in mm

BRASS: glossy finish



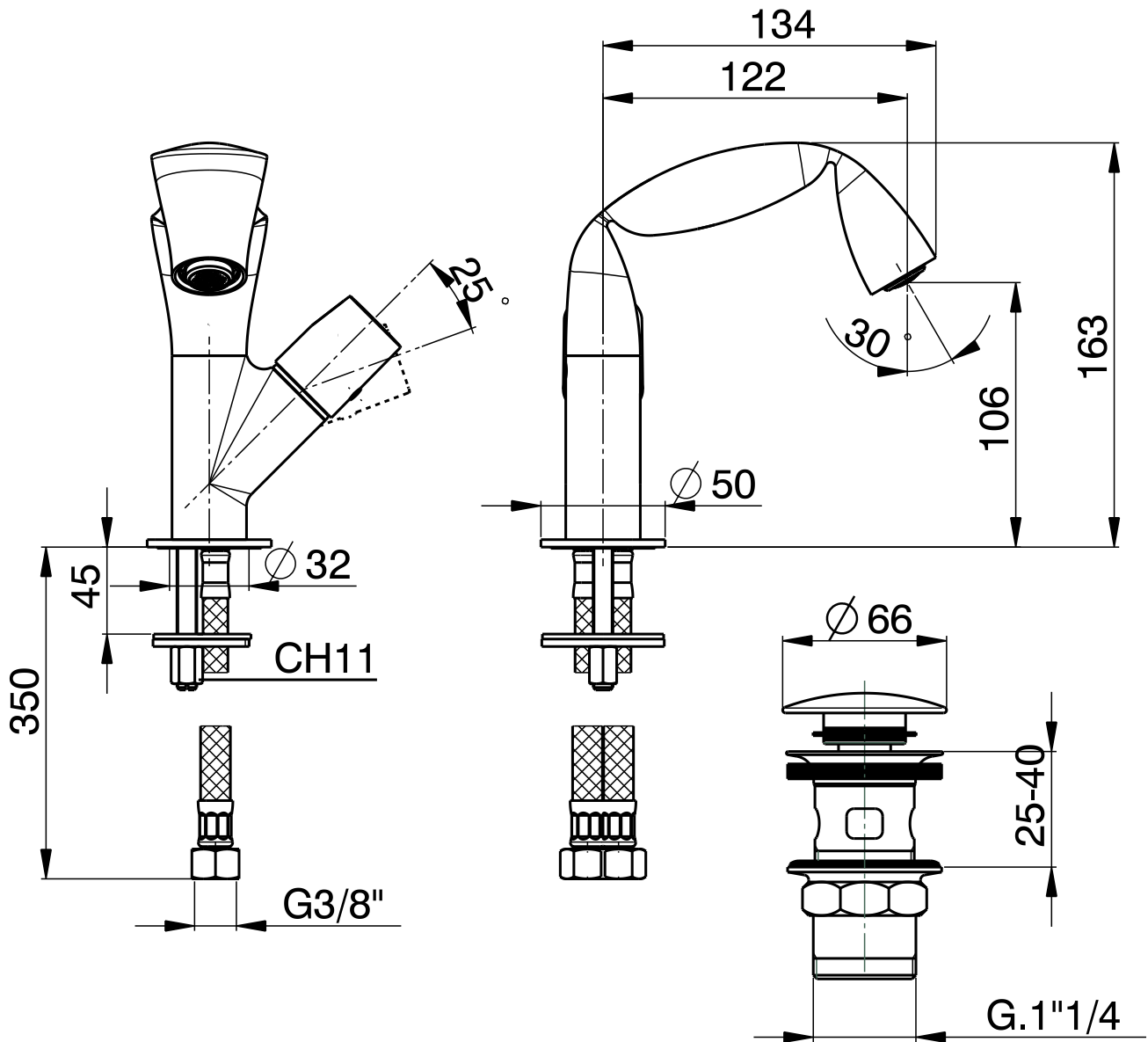
chrome

<http://www.ceramicaflaminia.it/en/products/289-fold>

©ceramicaflaminiaspa - All rights reserved. Unauthorized copying, publication, reproduction as well as partial reproduction are prohibited

june 2019





Fold

→ FLAMINIA.

design **LORENZO DAMIANI**

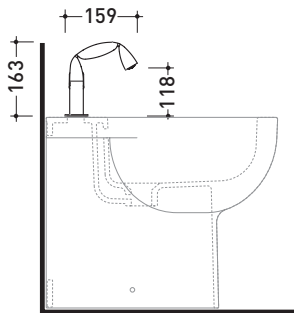
2013

FL4070

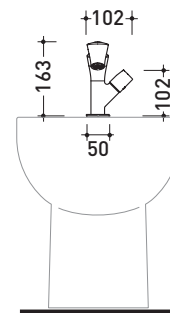
Single lever bidet mixer (stop&go drain included)

Complements: **Line accessories FOLD**

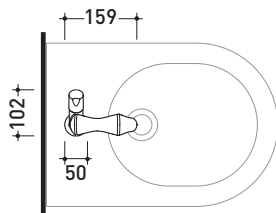
Package dim. **19 x 19 x 12 cm** | Weight **1,7 kg** | Pz. Pallet n° -



vista laterale / lateral view



vista frontale / frontal view



vista zenitale / zenital view

sizes in mm

BRASS: glossy finish



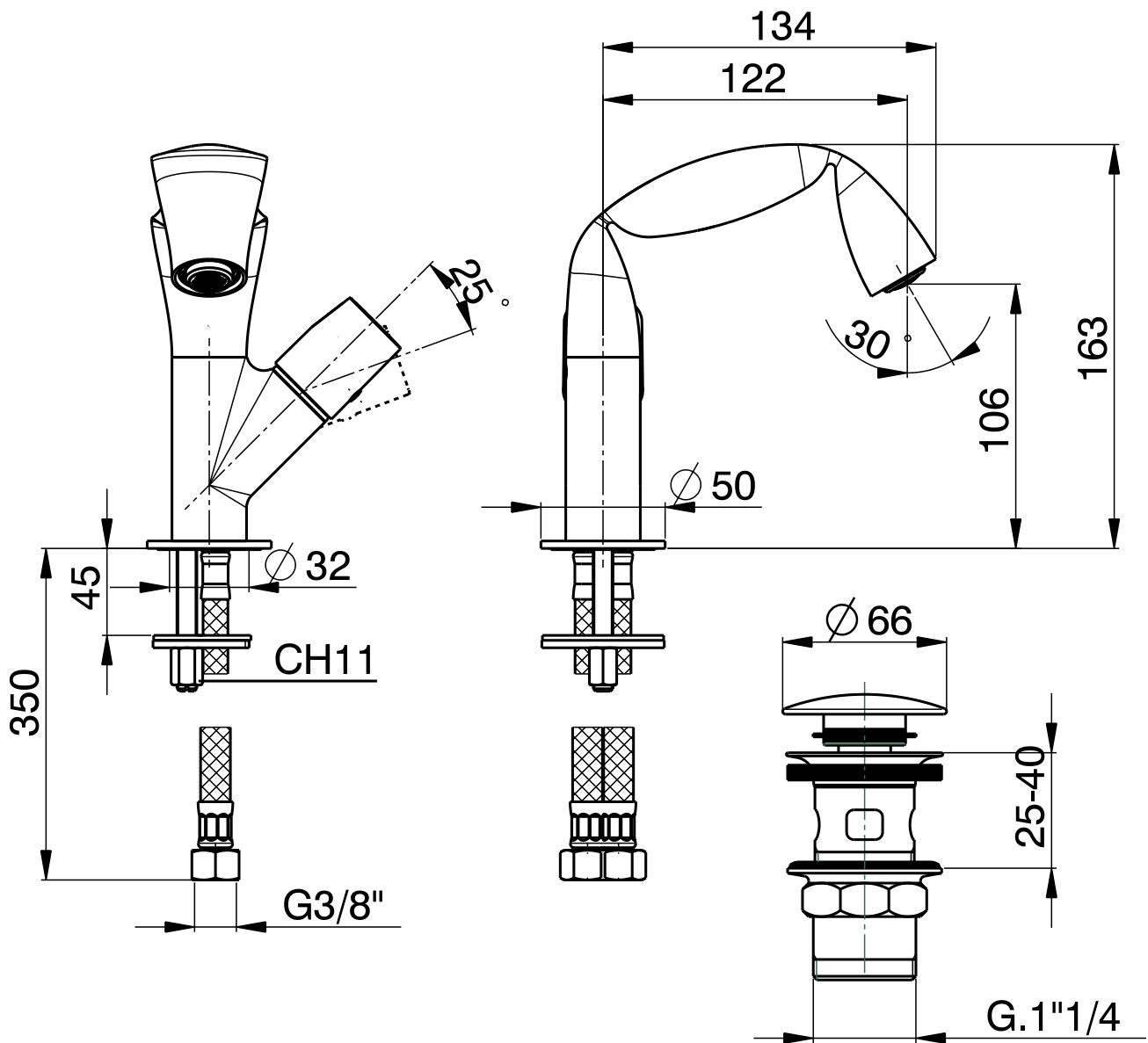
chrome

<http://www.ceramicaflaminia.it/en/products/289-fold>

©ceramicaflaminiaspa - All rights reserved. Unauthorized copying, publication, reproduction as well as partial reproduction are prohibited

june 2019





Fold

design **LORENZO DAMIANI**

2013

FL3052

Free-standing basin mixer

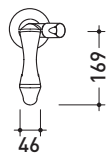
Complements: **Line accessories FOLD**

Package dim.

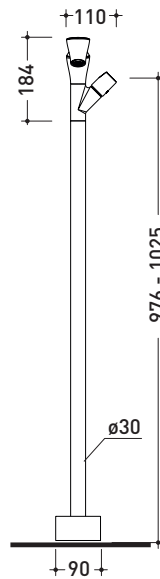
Weight **9 kg**

Pz. Pallet n° -

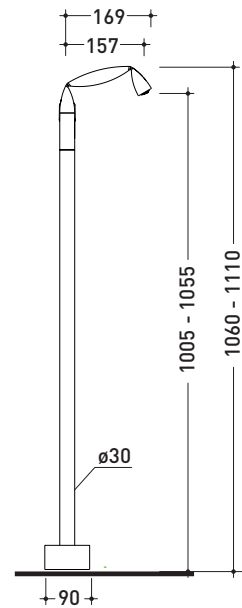
➔ **FLAMINIA.**



vista zenitale / zenital view



vista frontale / frontal view



vista laterale / lateral view

sizes in mm

BRASS: glossy finish



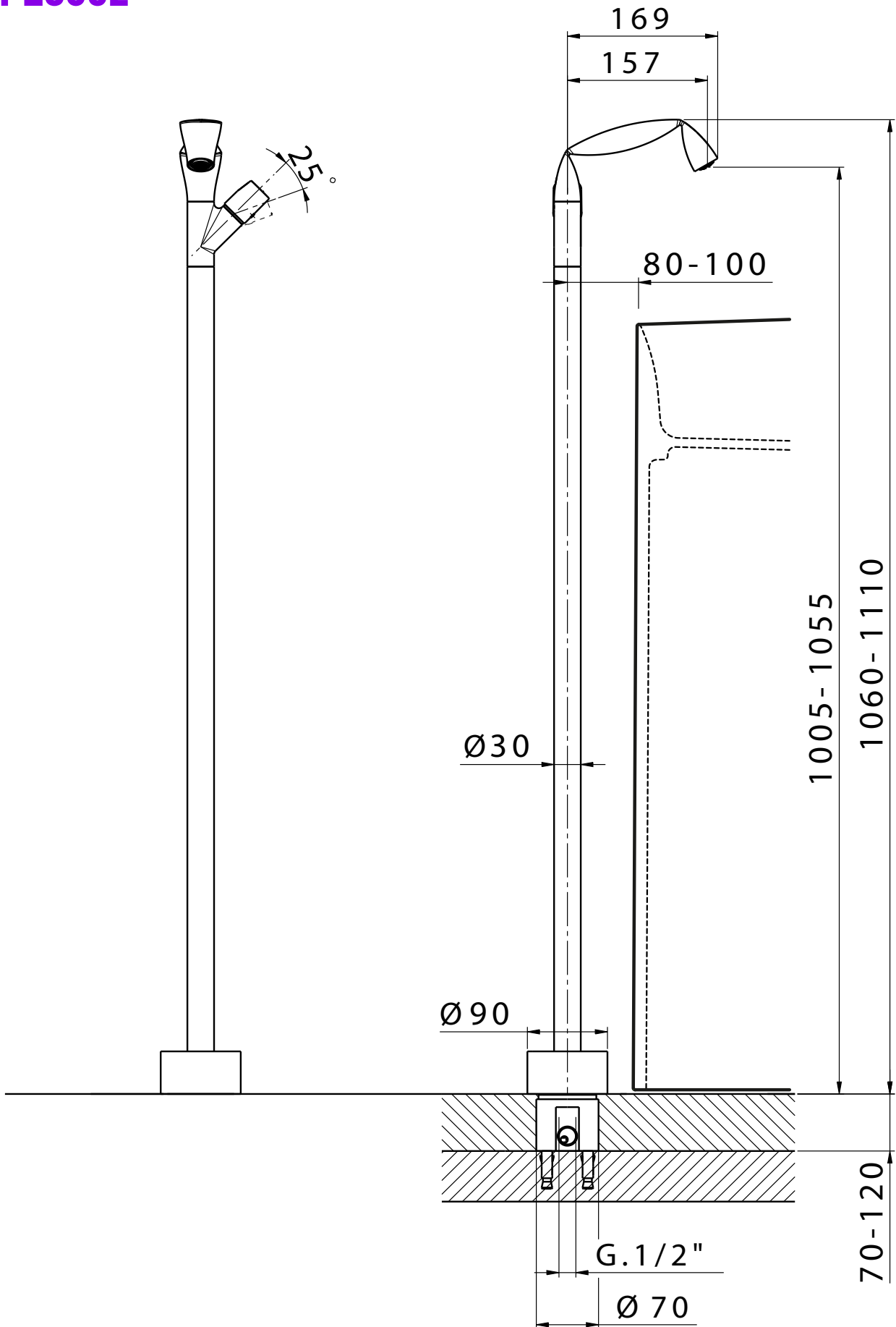
chrome

<http://www.ceramicaflaminia.it/en/products/289-fold>

©ceramicaflaminiaspa - All rights reserved. Unauthorized copying, publication, reproduction as well as partial reproduction are prohibited

june 2019





Fold

→ FLAMINIA.

design **LORENZO DAMIANI**

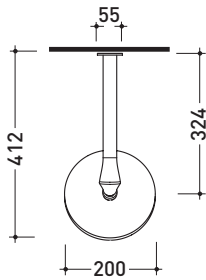
2013

FL2084

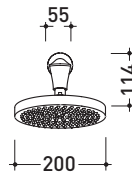
Wall-mounted overhead shower

Complements: **Line accessories FOLD**

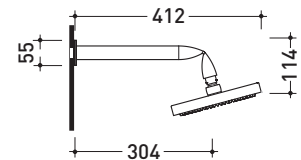
Package dim. **30 x 30 x 17 cm** | Weight **1,7 kg** | Pz. Pallet n° -



vista zenitale / zenital view



vista frontale / frontal view



vista laterale / lateral view

sizes in mm

BRASS: glossy finish



chrome

<http://www.ceramicaflaminia.it/en/products/289-fold>

©ceramicaflaminiaspa - All rights reserved. Unauthorized copying, publication, reproduction as well as partial reproduction are prohibited

june 2019

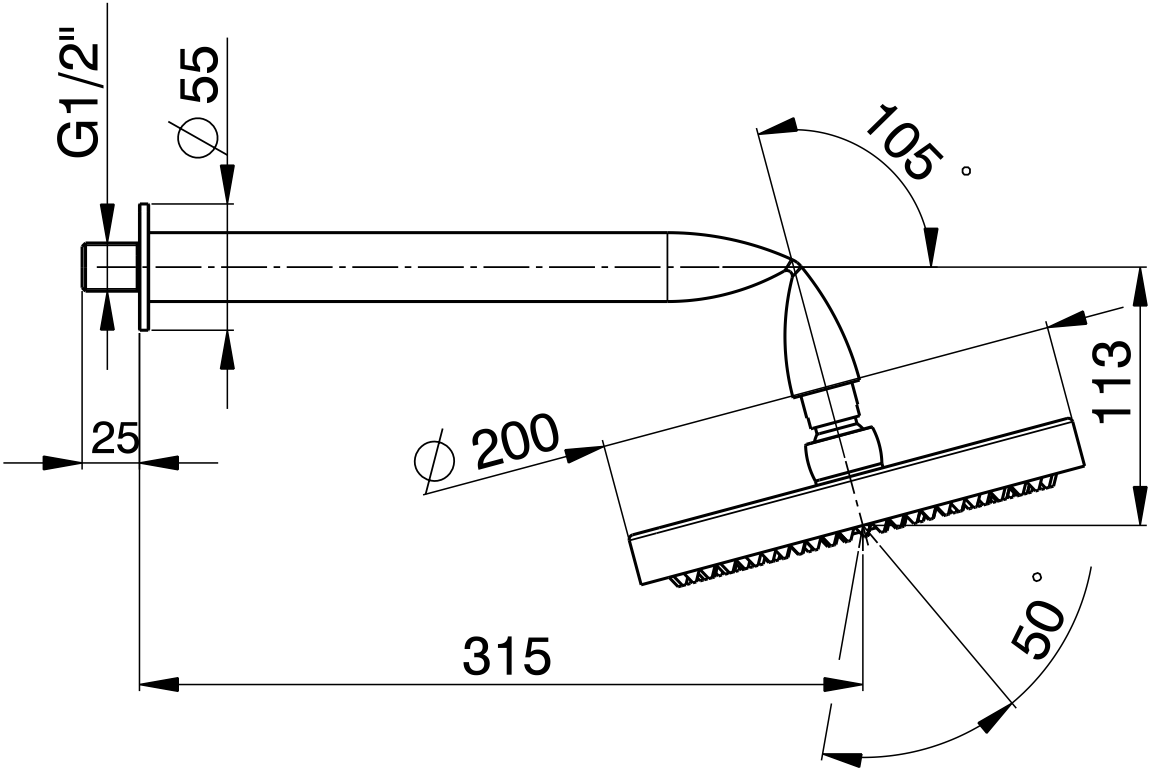


Fold

→ **FLAMINIA.**

design **LORENZO DAMIANI**

art. **FL2084**



sizes in mm



Fold

design **LORENZO DAMIANI**

2013

FL2561

Hand-shower with wall bracket

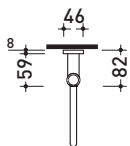
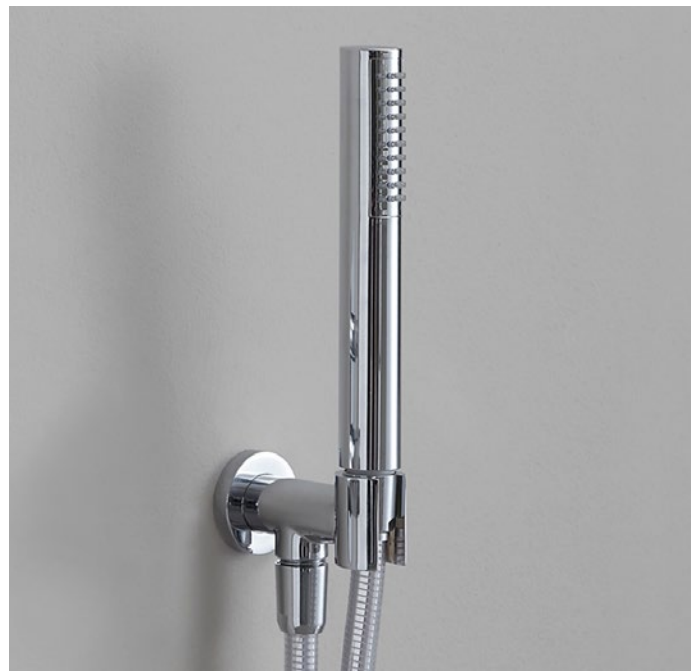
Complements: **Line accessories FOLD**

Package dim. **20 x 20 x 10 cm**

Weight **1 kg**

Pz. Pallet n° -

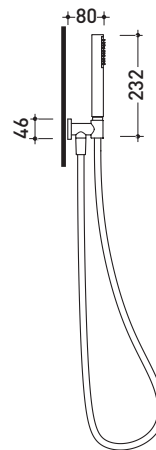
➔ **FLAMINIA.**



vista zenitale / zenital view



vista frontale / frontal view



vista laterale / lateral view

sizes in mm

BRASS: glossy finish



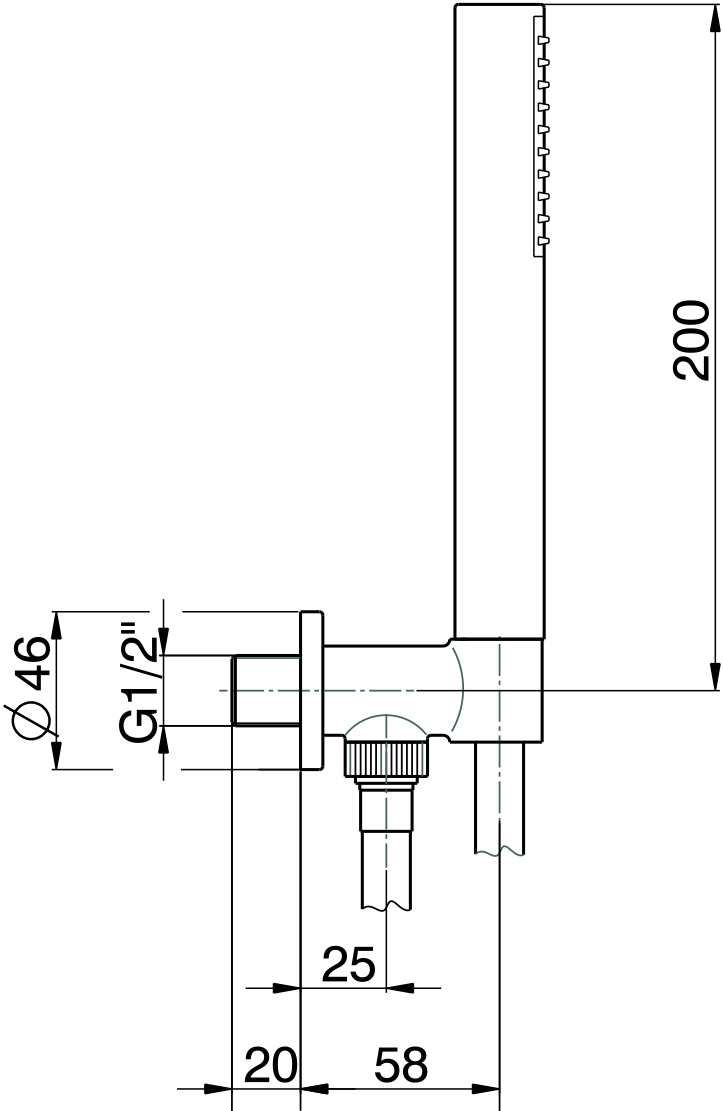
chrome

<http://www.ceramicaflaminia.it/en/products/289-fold>

©ceramicaflaminiaspa - All rights reserved. Unauthorized copying, publication, reproduction as well as partial reproduction are prohibited

june 2019





Fold

→ FLAMINIA.

design **LORENZO DAMIANI**

2013

FL2562

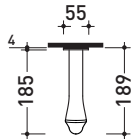
Wall spout

Complements: **Line accessories FOLD**

Package dim. **28 x 12 x 7 cm**

Weight **0,4 kg**

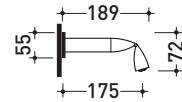
Pz. Pallet n° -



vista zenitale / zenital view



vista frontale / frontal view



vista laterale / lateral view

sizes in mm

BRASS: glossy finish



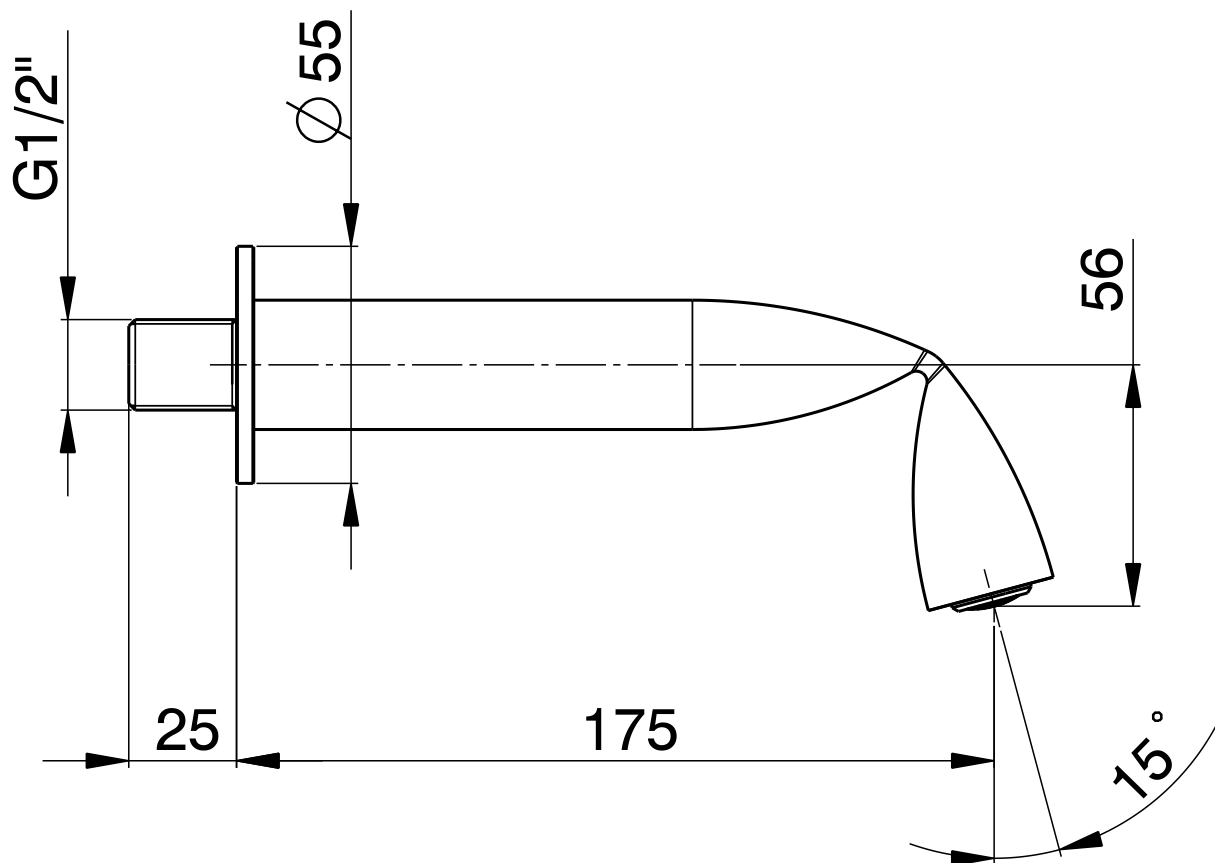
chrome

<http://www.ceramicaflaminia.it/en/products/289-fold>

©ceramicaflaminiaspa - All rights reserved. Unauthorized copying, publication, reproduction as well as partial reproduction are prohibited

june 2019





Fold

→ FLAMINIA.

design **LORENZO DAMIANI**

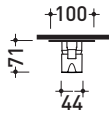
2013

FL2081

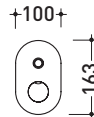
Shower mixer 2 outlets with diverter

Complements: **Line accessories** FOLD

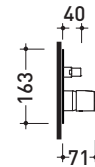
Package dim. **19 x 19 x 12 cm** | Weight **1,7 kg** | Pz. Pallet n° -



vista zenitale / zenital view



vista frontale / frontal view



vista laterale / lateral view

sizes in mm

BRASS: glossy finish



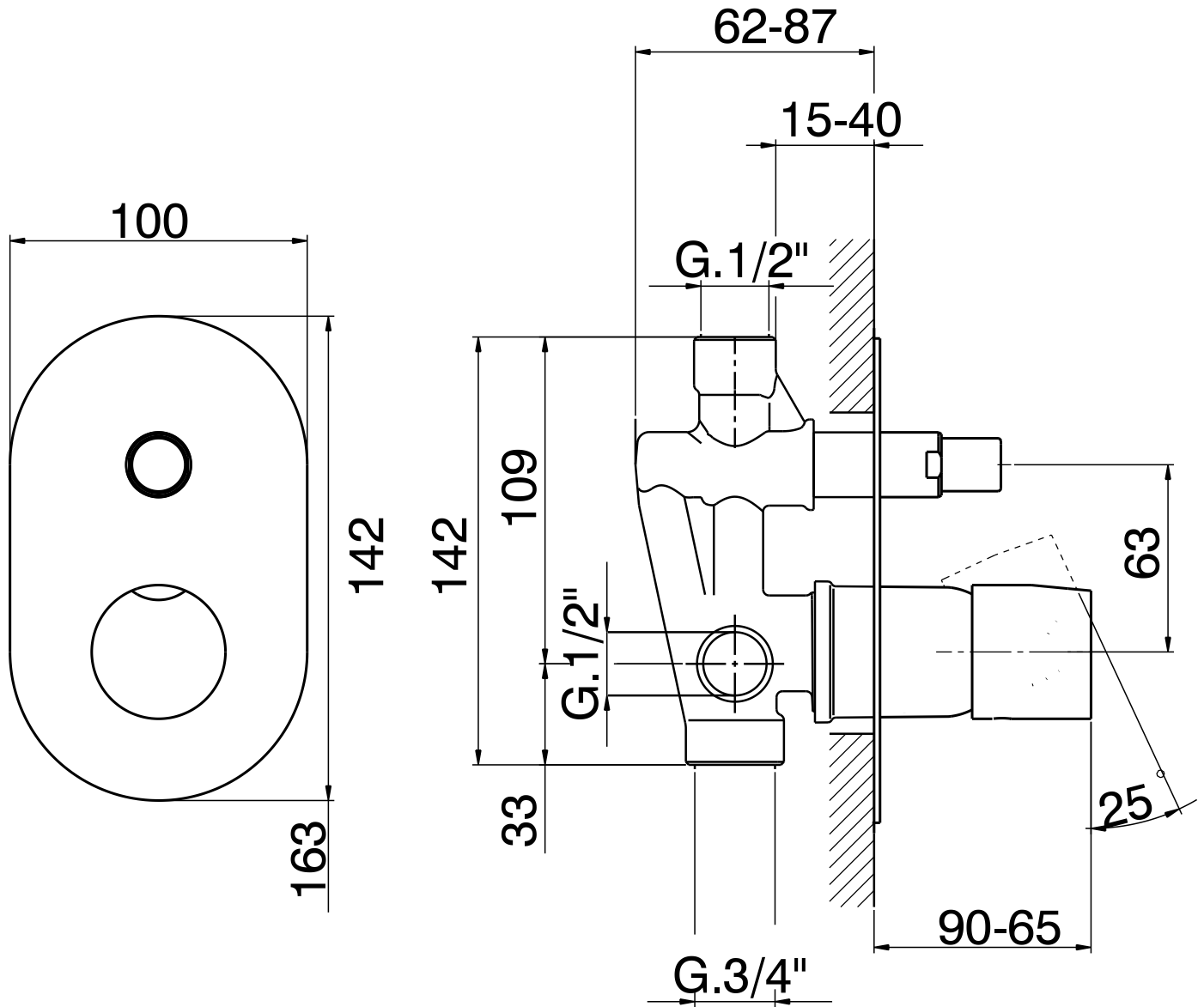
chrome

<http://www.ceramicaflaminia.it/en/products/289-fold>

©ceramicaflaminiaspa - All rights reserved. Unauthorized copying, publication, reproduction as well as partial reproduction are prohibited

june 2019





design **LORENZO DAMIANI**

2013

FL2550

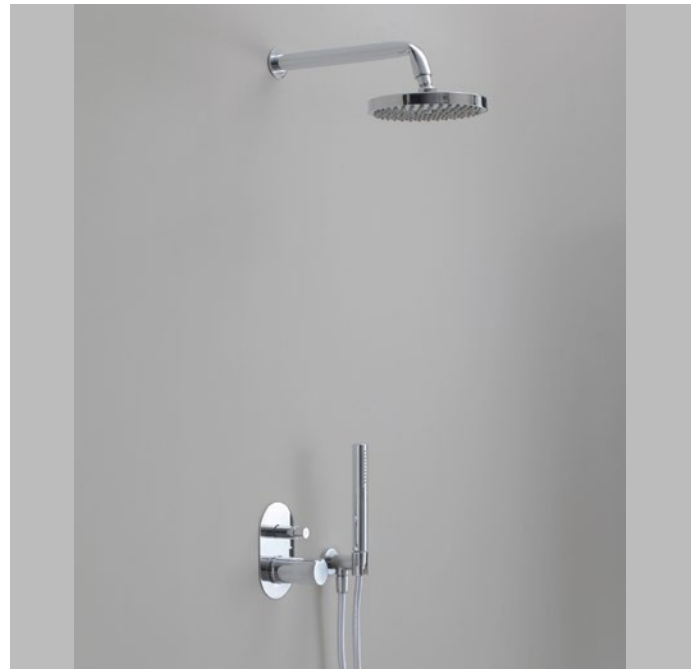
Complete shower set: concealed mixer with inverter, wall-mounted rain head and handshower

Complements: **Line accessories FOLD**

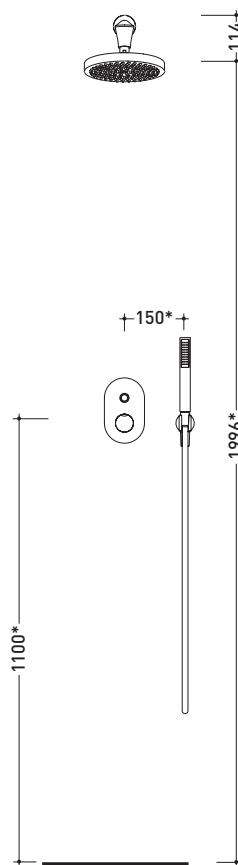
Package dim.

Weight **4,5 kg**

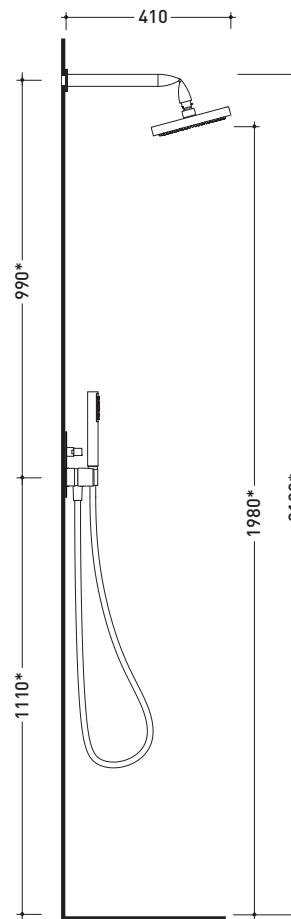
Pz. Pallet n° -



* misure consigliate / suggested measurements



vista frontale / frontal view



vista laterale / lateral view

sizes in mm

BRASS: glossy finish



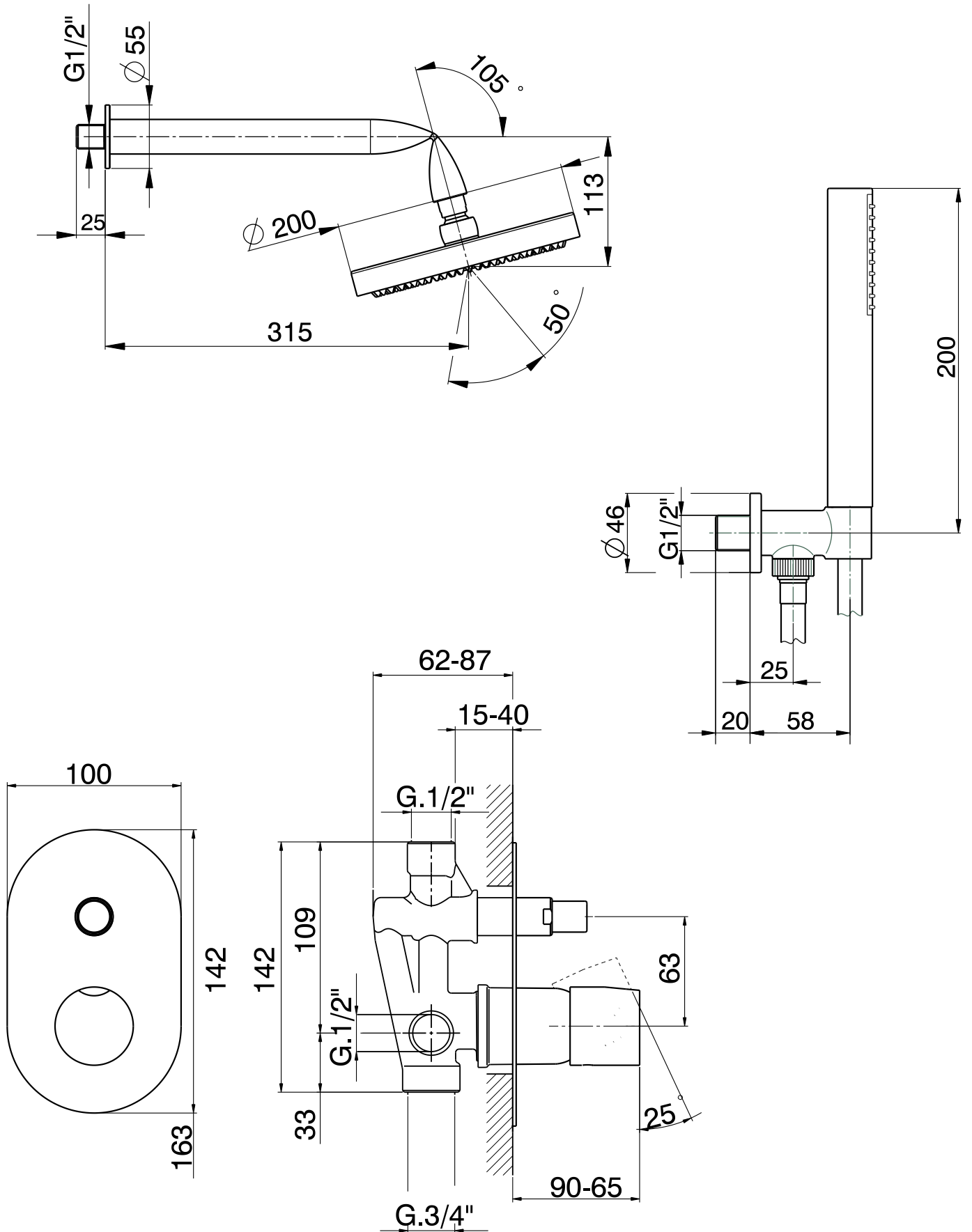
chrome

<http://www.ceramicaflaminia.it/en/products/289-fold>

©ceramicaflaminiaspa - All rights reserved. Unauthorized copying, publication, reproduction as well as partial reproduction are prohibited

june 2019





Fold

design **LORENZO DAMIANI**

2013

FL2580

Freestanding bath mixer with inverter and handshower

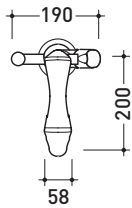
Complements: **Line accessories FOLD**

Package dim.

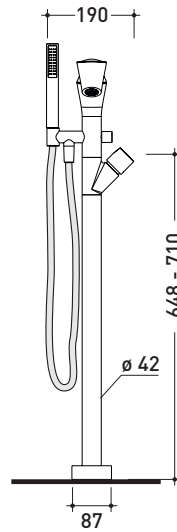
Weight **11,5 kg**

Pz. Pallet n° -

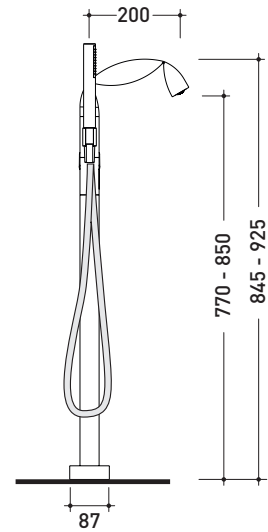
➔ **FLAMINIA.**



vista zenitale / zenital view



vista frontale / frontal view



vista laterale / lateral view

sizes in mm

BRASS: glossy finish



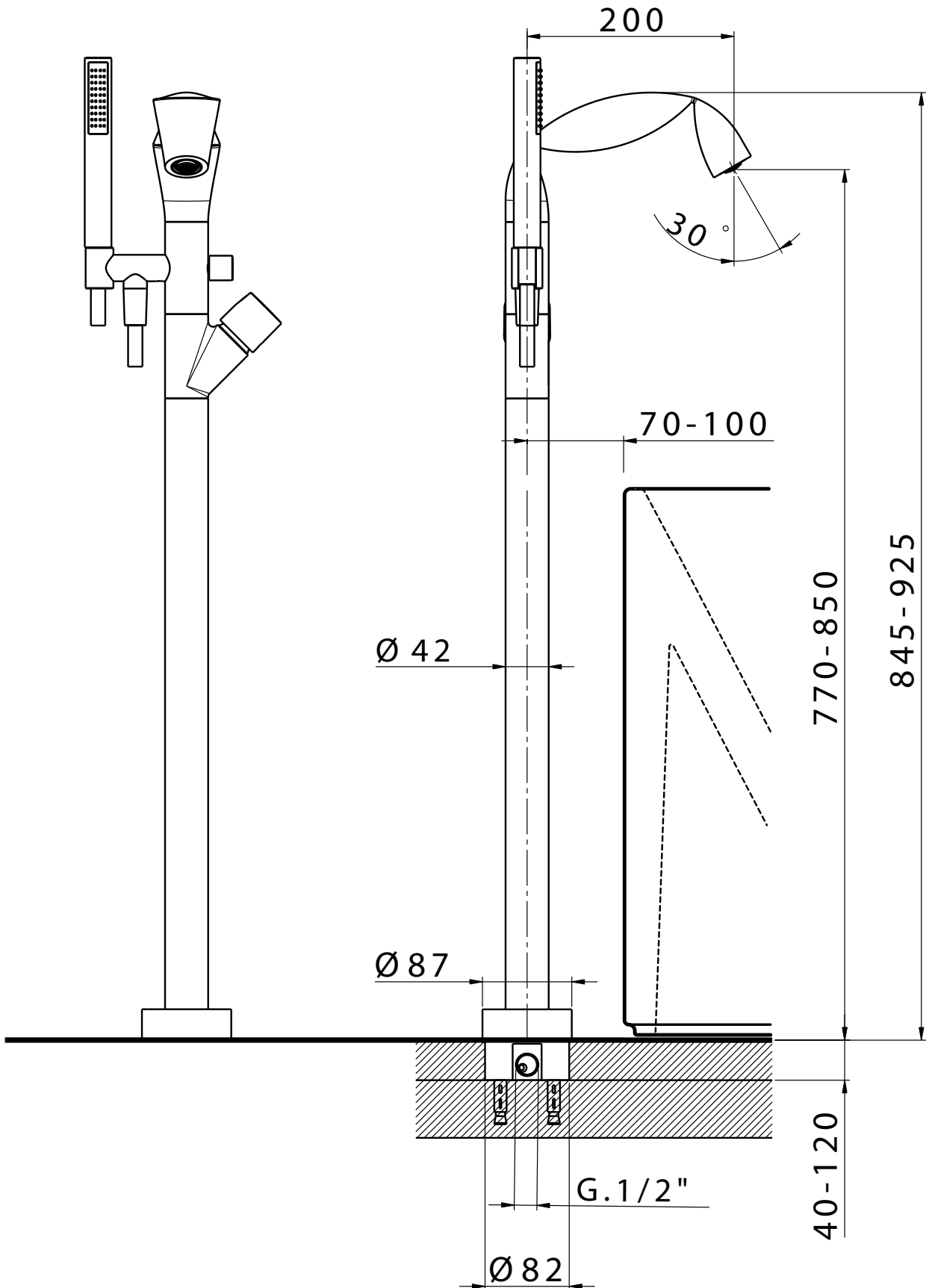
chrome

<http://www.ceramicaflaminia.it/en/products/289-fold>

©ceramicaflaminiaspa - All rights reserved. Unauthorized copying, publication, reproduction as well as partial reproduction are prohibited

june 2019





Fold

→ FLAMINIA.

design **LORENZO DAMIANI**

2013

FL2570

Complete bathtub set: mixer with inverter wall spout and handshower

Complements: **Line accessories** FOLD

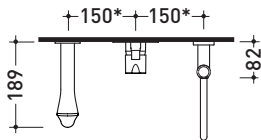
Package dim.

Weight **3,2 kg**

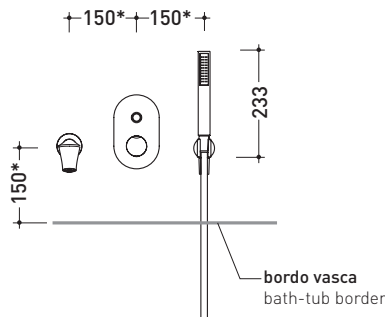
Pz. Pallet n° -



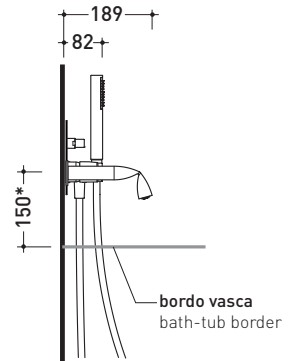
* **misure consigliate** / suggested measurements



vista zenitale / zenital view



vista frontale / frontal view



vista laterale / lateral view

sizes in mm

BRASS: glossy finish



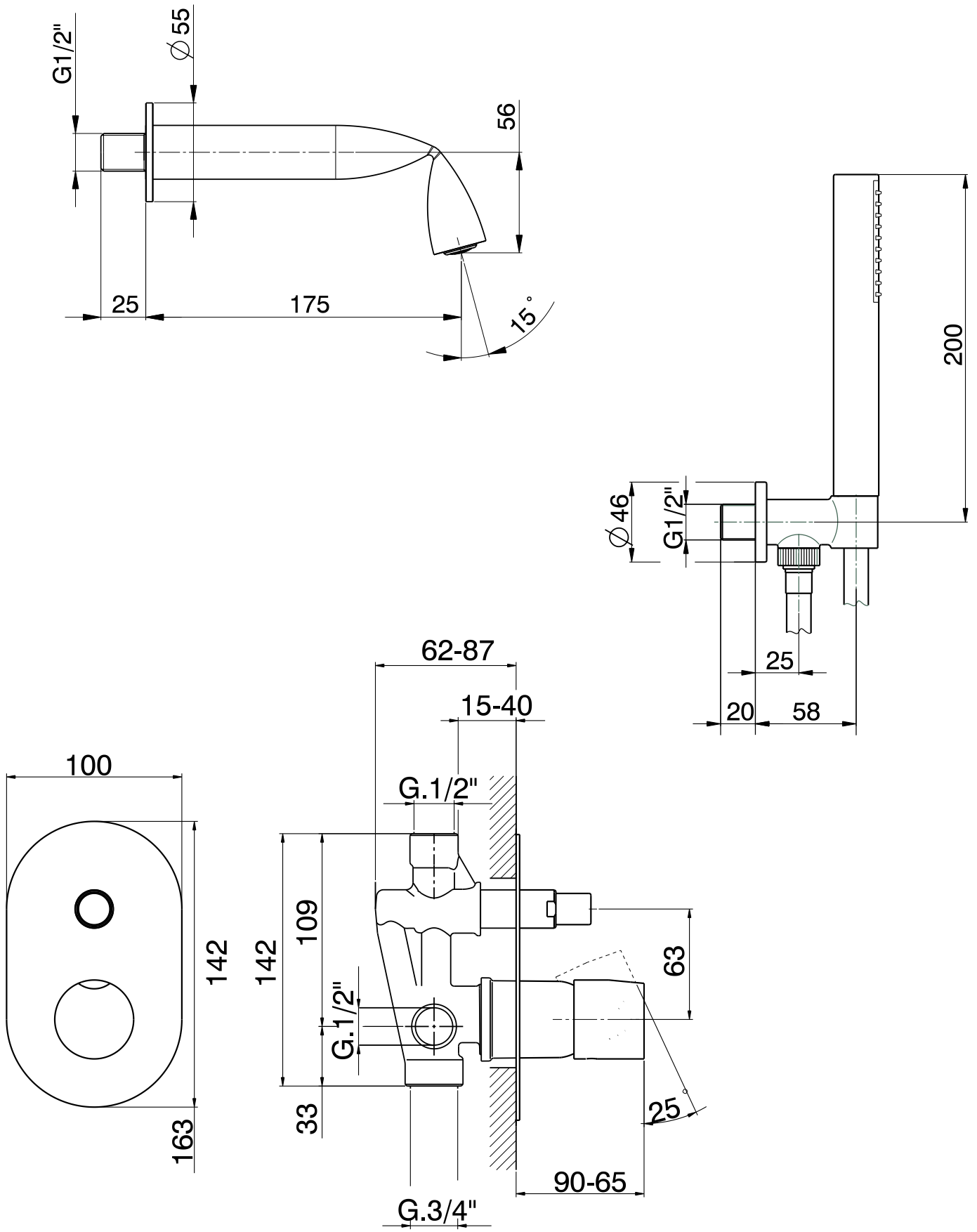
chrome

<http://www.ceramicaflaminia.it/en/products/289-fold>

©ceramicaflaminiaspa - All rights reserved. Unauthorized copying, publication, reproduction as well as partial reproduction are prohibited

june 2019





design **LORENZO DAMIANI**

2014

FL2560

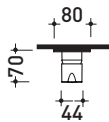
Concealed single-lever mixer

Complements: **Line accessories** FOLD

Package dim.

Weight **0,9 kg**

Pz. Pallet n° -



vista zenitale / zenital view



vista frontale / frontal view



vista laterale / lateral view

sizes in mm

BRASS: glossy finish



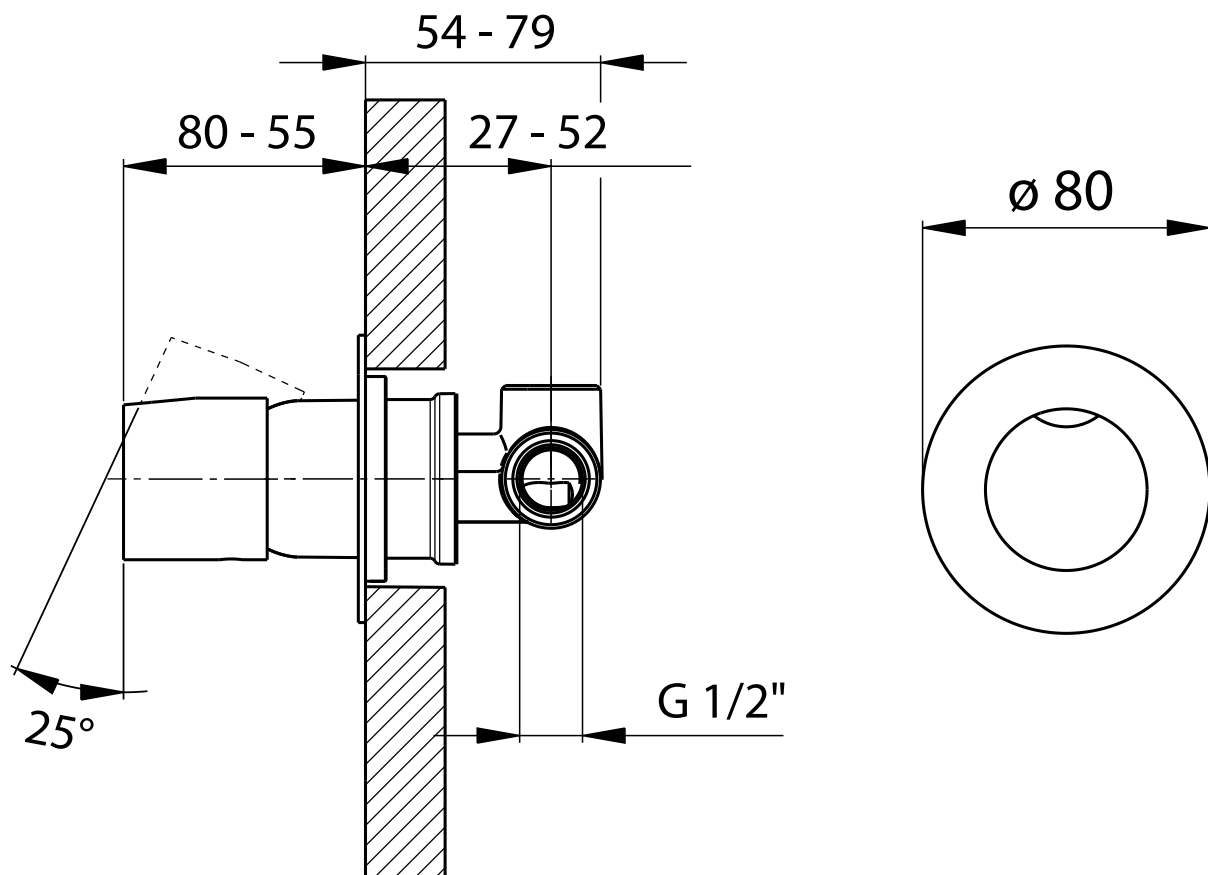
chrome

<http://www.ceramicaflaminia.it/en/products/289-fold>

©ceramicaflaminiaspa - All rights reserved. Unauthorized copying, publication, reproduction as well as partial reproduction are prohibited

june 2019





Fold

design **LORENZO DAMIANI**

2013

FL3059

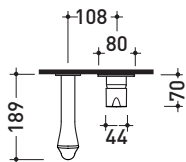
Concealed single-lever mixer with wall spout (stop&go drain included)

Complements: **Line accessories FOLD**

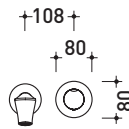
Package dim.

Weight **1,8 kg**

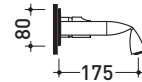
Pz. Pallet n° -



vista zenitale / zenital view



vista frontale / frontal view



vista laterale / lateral view

sizes in mm

BRASS: glossy finish



chrome

<http://www.ceramicaflaminia.it/en/products/289-fold>

©ceramicaflaminiaspa - All rights reserved. Unauthorized copying, publication, reproduction as well as partial reproduction are prohibited

june 2019



